



HS-JX703

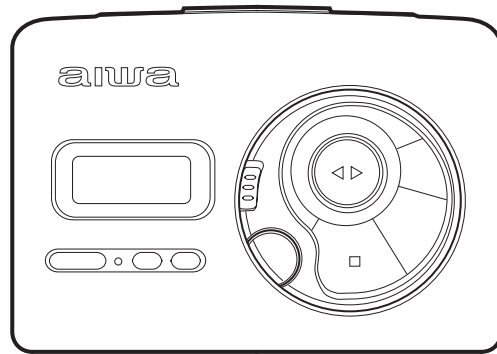
YH

HS-JX704

YH, YJ

HS-JX706

AH



SERVICE MANUAL

STEREO RADIO
CASSETTE RECORDER

BASIC TAPE MECHANISM : 6ZM-2 R3NF

aiwa

S/M Code No. 09-999-418-5R1

REVISION

SPECIFICATIONS

Frequency range:		DC 3V using two R6 (size AA) dry cell batteries
Reception area "EU"	AM 531–1,602kHz (9kHz steps) FM1,FM2 87.5–108MHz (50kHz steps)	DC 2.4V using two supplied rechargeable batteries NB-3A
Reception area "USA"	AM 530–1,710kHz (10kHz steps) FM1,FM2 87.5–108.1MHz (200kHz steps)	AC house current using the optional AC adaptor Aiwa AC-D302<AH>
Reception area "JPN"	AM 531–1,629kHz (9kHz steps) FM1,FM2 76–108MHz (100kHz step in 76–90MHz, 50kHz step in 90–108MHz)	Maximum dimensions: 112.9(W)x81.2(H)x 33.8(D)mm (4 $\frac{1}{2}$ x 3 $\frac{1}{4}$ x 1 $\frac{3}{8}$ in.)
Maximum output:	7mW + 7mW (EIAJ 32ohms)	Weight: Approx.160g (5.6 oz) (excluding batteries)
Powersource:	DC 3V using two R6 (size AA) dry cell batteries AC house current using the optional AC adaptor Aiwa AC-D302<YH, YJ>	<ul style="list-style-type: none">• Design and specifications are subject to change without notice.

ELECTRICAL MAIN PARTS LIST

REF.NO.	PARTNO.	KANRI NO	DESCRIPTION	REF.NO.	PARTNO.	KANRI NO	DESCRIPTION
IC				C49	87-A11-056-080		C-CAP,U 1-10 Z F
	87-002-677-080	IC,TA2002F		C51	87-A11-056-080		C-CAP,U 1-10 Z F
	8Z-HJ8-610-010	C-IC,TC9327AF-501		C52	87-010-503-040		CAP,E 220-4 GAS
	87-A20-638-080	C-IC,PST9120		C53	87-A10-025-080		C-CAP,U 0.22-16Z F
	87-A21-407-040	C-IC,TA2104BFN		C54	87-010-943-180		C-CAP,E 100-4 M MV
	87-A20-904-080	C-IC,TK11823MTL		C55	87-010-502-040		CAP ELECT GAS 100/4
	87-A20-580-040	C-IC,BA3641FV		C56	87-012-286-080		CAP, U 0.01-25
	87-A20-532-040	IC,LB1977M		C151	87-012-274-080		CHIP CAP,U 1000P-50B
				C152	87-012-274-080		CHIP CAP,U 1000P-50B
				C153	87-012-274-080		CHIP CAP,U 1000P-50B
TRANSISTOR				C154	87-012-274-080		CHIP CAP,U 1000P-50B
	87-026-299-080	C-TR FMG4		C155	87-012-274-080		CHIP CAP,U 1000P-50B
	87-026-467-080	TR,HN1C01F (0.3W)		C201	87-012-195-080		C-CAP,U 100P-50CH
	89-115-884-080	CHIP -TRANSISTOR 2SA1588Y		C202	87-010-829-080		CAP, U 0.047-16
	87-026-429-080	TR,RN2311		C203	87-A11-062-080		C-CAP,S 2.2-16 Z F
	89-327-143-080	TR,2SC2714 (0.1W)		C204	87-010-746-080		CAP, TANTAL 10-4
	89-113-625-080	TR,2SA1362GR (120MHZ,0.		C205	87-012-274-080		CHIP CAP,U 1000P-50B
	87-026-295-080	TR,DTC144TK		C206	87-A10-031-080		C-CAP,U 0.01-25 KB
	87-026-424-080	C-TR,RN2306		C207	87-A10-031-080		C-CAP,U 0.01-25 KB
	89-327-125-080	CHIP TR,2SC2712GR		C208	87-A10-263-080		C-CAP,U 0.1-16ZF
	89-342-153-080	TR,2SC4215		C209	87-A11-056-080		C-CAP,U 1-10 Z F
	87-026-482-080	TR,RN4610		C210	87-A10-263-080		C-CAP,U 0.1-16ZF
	89-508-804-080	CHIP FET 2SK880Y		C211	87-A10-025-080		C-CAP,U 0.22-16Z F
	87-026-679-080	C-TR,FM8A		C212	87-012-274-080		CHIP CAP,U 1000P-50B
	87-026-470-080	TR,HN1C03FB (0.3W)		C213	87-A10-031-080		C-CAP,U 0.01-25 KB
	87-026-678-080	C-TR,FMG5A		C215	87-A10-031-080		C-CAP,U 0.01-25 KB
	87-A30-125-080	C-TR,IMB3A		C216	87-A10-031-080		C-CAP,U 0.01-25 KB
	89-413-284-080	TR,2SD1328T		C217	87-A10-031-080		C-CAP,U 0.01-25 KB
	87-026-418-080	TR,RN1311 (0.1W)		C218	87-012-195-080		C-CAP,U 100P-50CH
	89-333-266-080	CHIP TR,2SC3326B		C219	87-012-164-080		C-CAP,U 2P-50 CK
DIODE				C221	87-012-174-080		CAP CHIP CERA SS 12P CHJ
	87-017-779-080	C-DIODE,1SS355		C222	87-A10-039-080		C-CAP,U 470P-50 J CH
	87-001-167-080	DIODE,1SS302 (100MA)		C223	87-010-829-080		CAP, U 0.047-16
	87-017-366-080	DIODE,DAN 202U		C224	87-012-168-080		C-CAP,U 6P-50 D CH
	87-A40-395-080	C-ZENER,UDZ2.2B		C225	87-012-274-080		CHIP CAP,U 1000P-50B
	87-017-367-080	DIODE,DAP202U		C226	87-012-167-080		C-CAP,U 5P-50 CH
	87-A40-630-040	C-DIODE,RB411D		C227	87-010-575-080		C-CAP,S 560P-50 UJ
	87-A40-360-080	C-DIODE,MA786		C228	87-A10-263-080		C-CAP,U 0.1-16ZF
				C230	87-A10-031-080		C-CAP,U 0.01-25 KB
				C231	87-A10-263-080		C-CAP,U 0.1-16ZF
				C232	87-012-251-080		C-CAP,U 27P-50 UJ
MAIN C.B				C233	87-A11-056-080		C-CAP,U 1-10 Z F
BPF201	87-A90-601-010	FLTR,BPF GFWB7		C234	87-A11-056-080		C-CAP,U 1-10 Z F
C1	87-012-272-080	C-CAP,U 680P-50 B		C235	87-A10-952-080		C-CAP,TN 22-4 M A MCM
C2	87-012-272-080	C-CAP,U 680P-50 B		C236	87-A10-031-080		C-CAP,U 0.01-25 KB
C3	87-012-272-080	C-CAP,U 680P-50 B		C237	87-A11-062-080		C-CAP,S 2.2-16 Z F
C4	87-012-272-080	C-CAP,U 680P-50 B		C238	87-A10-031-080		C-CAP,U 0.01-25 KB
C5	87-012-286-080	CAP, U 0.01-25		C401	87-012-274-080		CHIP CAP,U 1000P-50B
C6	87-012-286-080	CAP, U 0.01-25		C402	87-012-274-080		CHIP CAP,U 1000P-50B
C7	87-A10-952-080	C-CAP,TN 22-4 M A MCM		C403	87-012-274-080		CHIP CAP,U 1000P-50B
C8	87-A10-952-080	C-CAP,TN 22-4 M A MCM		C404	87-012-274-080		CHIP CAP,U 1000P-50B
C9	87-010-787-080	CAP, U 0.022-25		C405	87-A11-056-080		C-CAP,U 1-10 Z F
C10	87-010-787-080	CAP, U 0.022-25		C406	87-A11-056-080		C-CAP,U 1-10 Z F
C21	87-A11-056-080	C-CAP,U 1-10 Z F		C407	87-A11-056-080		C-CAP,U 1-10 Z F
C22	87-A11-056-080	C-CAP,U 1-10 Z F		C408	87-A11-056-080		C-CAP,U 1-10 Z F
C23	87-A10-707-080	C-CAP,U 0.47U-16 F Z		C409	87-A11-056-080		C-CAP,U 1-10 Z F
C24	87-A10-707-080	C-CAP,U 0.47U-16 F Z		C410	87-A11-056-080		C-CAP,U 1-10 Z F
C25	87-A11-282-080	C-CAP,S 1-16 K B		C411	87-A11-056-080		C-CAP,U 1-10 Z F
C26	87-A11-282-080	C-CAP,S 1-16 K B		C412	87-A11-056-080		C-CAP,U 1-10 Z F
C27	87-A11-056-080	C-CAP,U 1-10 Z F		C413	87-010-831-080		C-CAP,U,0.1-16F
C28	87-A11-056-080	C-CAP,U 1-10 Z F		C414	87-010-831-080		C-CAP,U,0.1-16F
C41	87-012-278-080	C-CAP,U 2200P-50 B		C451	87-A10-422-080		C-CAP,TN 10-4 A TCF
C42	87-012-278-080	C-CAP,U 2200P-50 B		C452	87-A10-704-080		C-CAP,TN 100-2.5 M B2
C43	87-010-424-080	CAPACTOR,TANTAL 4.7-4		C453	87-A11-056-080		C-CAP,U 1-10 Z F
C45	87-010-831-080	C-CAP,U,0.1-16F		C454	87-A11-056-080		C-CAP,U 1-10 Z F
C46	87-010-831-080	C-CAP,U,0.1-16F		C455	87-010-787-080		C-CAP,U 0.022-25 KB
C47	87-010-502-010	CAP GAS 100-4		C456	87-010-787-080		C-CAP,U 0.022-25 KB
C48	87-010-502-040	CAP ELECT GAS 100/4		C457	87-015-923-080		C-CAP,TN 0.22-35
				C458	87-015-923-080		C-CAP,TN 0.22-35
				C459	87-A10-952-080		C-CAP,TN 22-4 M A MCM

REF.NO.	PARTNO.	KANRI NO	DESCRIPTION	REF.NO.	PARTNO.	KANRI NO	DESCRIPTION
C460	87-A10-952-080		C-CAP,TN 22-4 M A MCM	C106	87-A10-025-080		C-CAP,U 0.22-16Z F
C461	87-012-286-080		CAP, U 0.01-25	C107	87-012-176-080		C-CAP,U 15P
C462	87-A10-952-080		C-CAP,TN 22-4 M A MCM	C108	87-012-176-080		C-CAP,U 15P
C463	87-A11-056-080		C-CAP,U 1-10 Z F	C109	87-A10-048-080		C-CAP,TN 22-4 M F95 S
C464	87-A11-056-080		C-CAP,U 1-10 Z F	C110	87-A10-031-080		C-CAP,U 0.01-25 KB
C601	87-A10-952-080		C-CAP,TN 22-4 M A MCM	C111	87-012-274-080		CHIP CAP,U 1000P-50B
C602	87-012-286-080		CAP, U 0.01-25	C112	87-012-274-080		CHIP CAP,U 1000P-50B
C603	87-012-279-080		C-CAP,U 2700P-50 B	C114	87-012-274-080		CHIP CAP,U 1000P-50B
C604	87-012-286-080		CAP, U 0.01-25	C115	87-A10-263-080		C-CAP,U 0.1-16ZF
C605	87-012-278-080		C-CAP,U 2200P-50 B	C131	87-A11-056-080		C-CAP,U 1-10 Z F
C606	87-012-267-080		C-CAP,U 270P-50 B	C301	87-012-191-080		CHIP CAP 68 PF
C607	87-012-267-080		C-CAP,U 270P-50 B	C302	87-012-167-080		C-CAP,U 5P-50 CH
C608	87-012-271-080		CAP, U 560P-50	C303	87-012-170-080		C-CAP,U 8P-50 CH
C609	87-012-271-080		CAP, U 560P-50	C304	87-A10-263-080		C-CAP,U 0.1-16ZF
C610	87-012-286-080		CAP, U 0.01-25	C305	87-A11-056-080		C-CAP,U 1-10 Z F
C611	87-012-286-080		CAP, U 0.01-25	C306	87-010-787-080		CAP, U 0.022-25
C701	87-A11-062-080		C-CAP,S 2.2-16 Z F	C307	87-A11-282-080		C-CAP,S 1-16 K B
C702	87-010-503-040		CAP,E 220-4 GAS	C308	87-012-195-080		C-CAP,U 100P-50 J CH
C703	87-010-944-180		C-CAP,E 220-4 M MV	L301	87-A50-230-080		C-COIL,D-D(CP4LBM)
C801	87-A10-828-080		C-CAP,U 0.33-6.3 K B	L302	87-003-243-080		C-COIL,S 10UH
C802	87-A10-263-080		C-CAP,U 0.1-16ZF	LCD101	8Z-HJ8-609-010		LCD,AIW4188
C803	87-A10-827-080		C-CAP,U 0.47-6.3 K B	R110	87-022-245-080		C-RES U 18K-1/16WF
C804	87-A10-504-080		C-CAP,U 0.047-16 K B	R111	87-022-245-080		C-RES U 18K-1/16WF
C805	87-A10-504-080		C-CAP,U 0.047-16 K B	R112	87-022-223-080		CHIP RES 2.2K 1/16W F
C806	87-A10-504-080		C-CAP,U 0.047-16 K B	R113	87-022-223-080		CHIP RES 2.2K 1/16W F
C807	87-A10-504-080		C-CAP,U 0.047-16 K B	R114	87-022-223-080		CHIP RES 2.2K 1/16W F
C809	87-A10-263-080		C-CAP,U 0.1-16ZF	R115	87-022-227-080		C-RES,U 3.3K-1/16W F
C901	87-010-787-080		C-CAP,U 0.022-25 KB	R116	87-022-227-080		C-RES,U 3.3K-1/16W F
CF201	87-A91-162-010		FLTR,PFS450A7	R117	87-022-231-080		C-RES,U 4.7K-1/16W F
CF202	87-A90-991-010		FLTR,SFE10.7 MS239-A	S101	87-A90-665-280		C-SW,TACT LS7A2M
CF203	87-A90-991-010		FLTR,SFE10.7 MS239-A	S102	87-A90-665-280		C-SW,TACT LS7A2M
CN151	8Z-HJ8-615-080		C-CONN,34P 6210	S103	87-A90-665-280		C-SW,TACT LS7A2M
D201	87-A40-462-040		C-VARI-CAP,SVC347(S)	S104	87-A90-665-280		C-SW,TACT LS7A2M
D202	87-A40-655-080		C-VARI-CAP,HVU200A	S105	87-A90-665-280		C-SW,TACT LS7A2M
D203	87-A40-655-080		C-VARI-CAP,HVU200A	S106	87-A90-665-280		C-SW,TACT LS7A2M
D951	87-017-883-010		LED,SLC22 VR3F RED	S107	87-A90-665-280		C-SW,TACT LS7A2M
IFT201	87-A91-496-010		IFT,MW P-5DJ	S108	87-A90-665-280		C-SW,TACT LS7A2M
J1	87-A60-438-010		JACK,3.5 BLK ST W/O SW<3YH>	S109	87-036-379-180		C-SW,SL1-1-2 SS350
J1	87-A60-437-010		JACK,3.5 BLK ST W<4YH,YJ,AH>	S110	87-A90-665-280		C-SW,TACT LS7A2M
J451	87-A60-438-010		JACK,3.5 BLK ST W/O	S111	87-A90-378-080		C-SW,PUSH PT035C1T
J701	87-A60-849-010		JACK,DC DIA 2.75 BLK	S112	87-A90-378-080		C-SW,PUSH PT035C1T
L1	87-A50-322-080		C-COIL,S BK2125 LM252	X101	87-A70-064-110		VIB,XTAL 75KHZ VTC-200
L2	87-A50-322-080		C-COIL,S BK2125 LM252				
L3	87-A50-322-080		C-COIL,S BK2125 LM252				
L4	87-A50-322-080		C-COIL,BK2125 LM2<4YH,YJ,AH>				FLEX C.B
L201	87-HRA-603-010		BAR-ANT,MW		8Z-HJ8-607-010		PWB FLEX 34P
L202	8Z-HJ8-616-010		COIL,FM RF 12T				
L203	8Z-HR8-613-010		COIL,FM OSC				
L204	87-003-226-080		COIL,100UH J LAL02				SW C.B
L601	87-HJ3-605-080		C-COIL,OSC BIAS				
PS901	87-A90-440-010		SNSR,PHOTO GP2S24N2-B		S153	87-A91-365-080	C-SW,PUSH 1-1-1 SPVG21
S151	87-A91-421-010		SW,LEAF 6ZM-2(H)				
S152	87-A90-361-010		SW,PUSH SPPB51-H11.3				HEAD FLEX C.B
S154	87-HJ3-608-010		SW,LEAF REC ASSY		PH1	8Z-HKE-619-110	HEAD,ASSY 6ZM-2 (P10)
S155	87-HJ3-608-010		SW,LEAF REC ASSY				
S601	87-A91-345-010		SW,SL 2-2-3 SSAC				
SFR801	87-A90-734-080		C-SFR,33K B RH03AXAN4X				EH FLEX C.B
TC201	87-011-252-080		TRIMMER 10P LAR				
TH801	87-A90-542-080		C-THMS,NTH5G2M35A472K04TE		86-ZM2-326-010		HEAD ASSY, EH 6ZM-2 R2
VR1	83-HRC-609-010		VOL 20KAX2				
X201	87-A91-094-010		FLTR,CDA10.7 MG80A				
FRONT C.B							
C101	87-A11-056-080		C-CAP,U 1-10 Z F				
C102	87-A11-056-080		C-CAP,U 1-10 Z F				
C103	87-A10-263-080		C-CAP,U 0.1-16ZF				
C104	87-A10-263-080		C-CAP,U 0.1-16ZF				
C105	87-A10-263-080		C-CAP,U 0.1-16ZF				

○チップ抵抗部品コード／CHIP RESISTOR PART CODE

チップ抵抗部品コードの成り立ち

Chip Resistor Part Coding



A
抵抗部品コード
Resistor Code

桁表示
Figure
抵抗値
Value of resistor

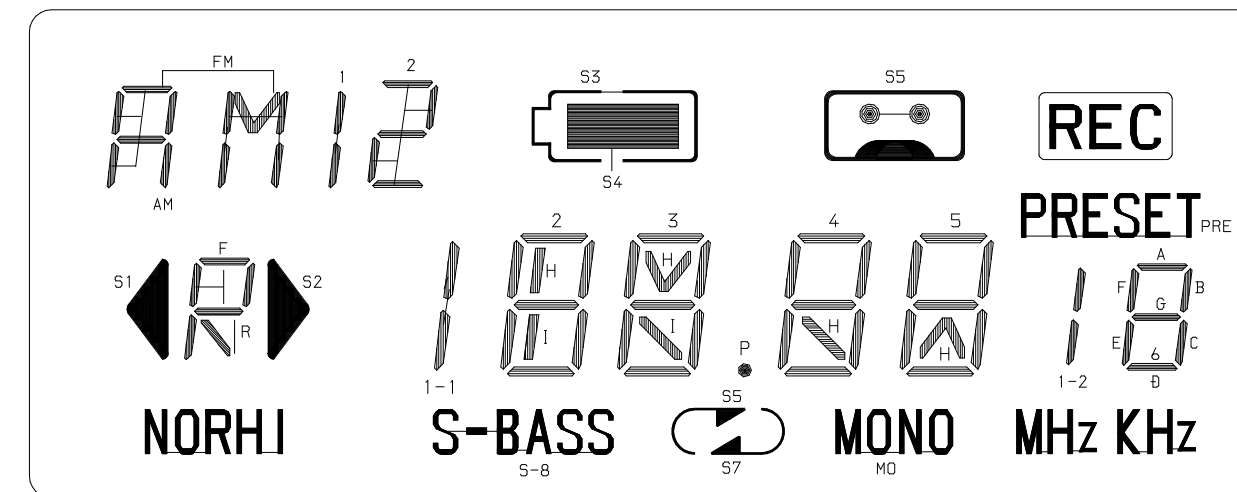
チップ抵抗
Chip resistor

容量 Wattage	種類 Type	許容誤差 Tolerance	記号 Symbol	寸法/Dimensions			抵抗コード Resistor	:A :A	
				外形/Form	L	W			t
1/16W	1608	±5%	CJ		1.6	0.8	0.45	108	
1/10W	2125	±5%	CJ		2	1.25	0.45	118	
1/8W	3216	±5%	CJ		3.2	1.6	0.55	128	

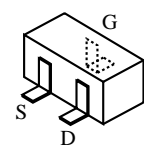
LCD DIAGRAM

LCD,AIW4188

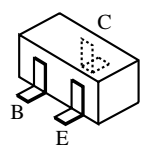
GRIDASSIGNMENT



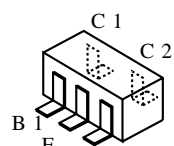
TRANSISTOR ILLUSTRATION



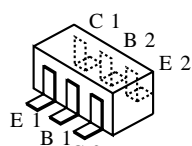
2SK880Y



RN1311 2SA1588Y
RN2311 2SC3226B
RN2306 DTC144TK
2SC2714 2SC2712GR
2SC4215 2SA1362GR
2SD1328T



FMG4
FMG5A
FMA8A

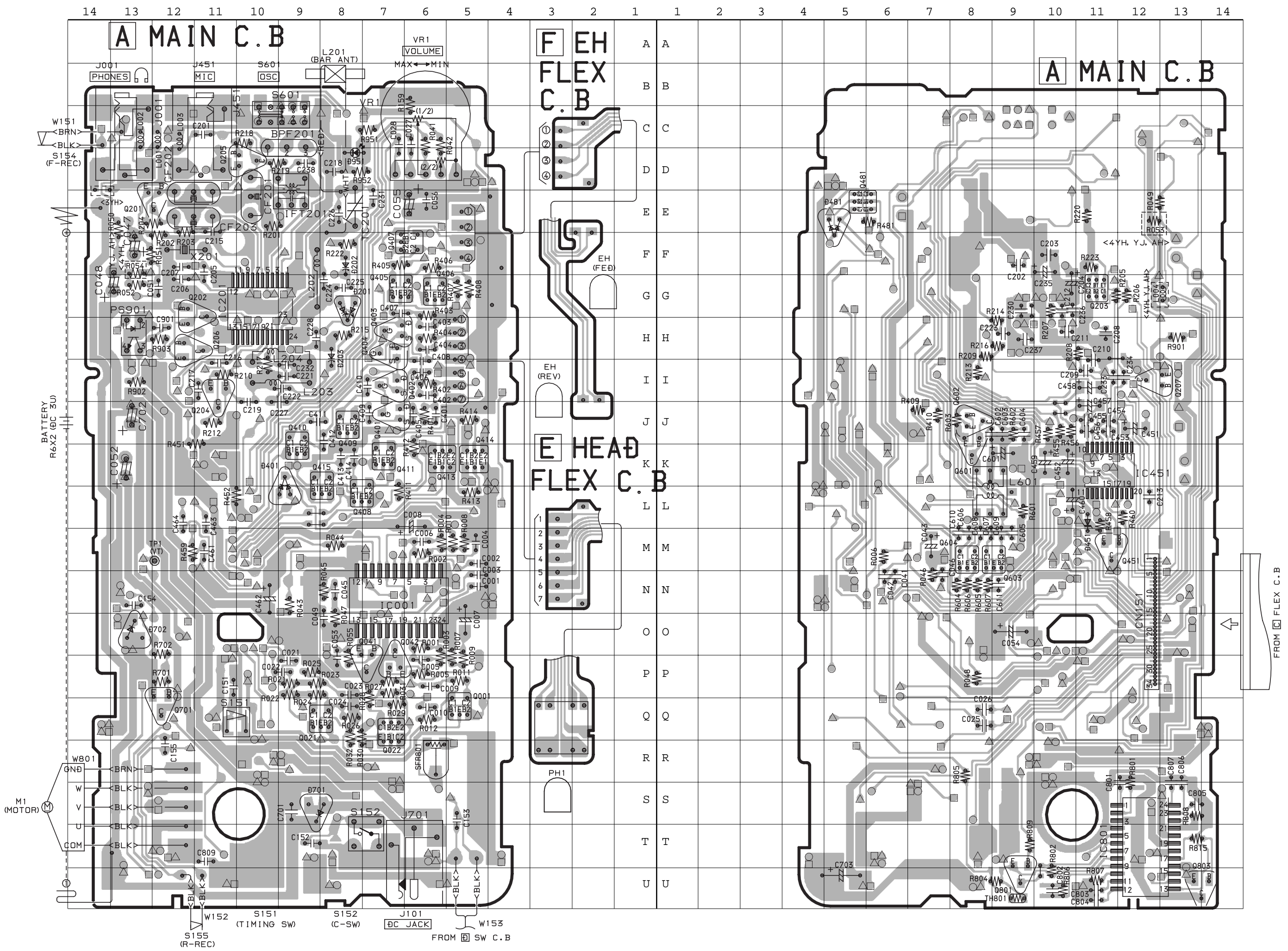


IMB3A
RN4610
HN1C01F
HN1C03FB

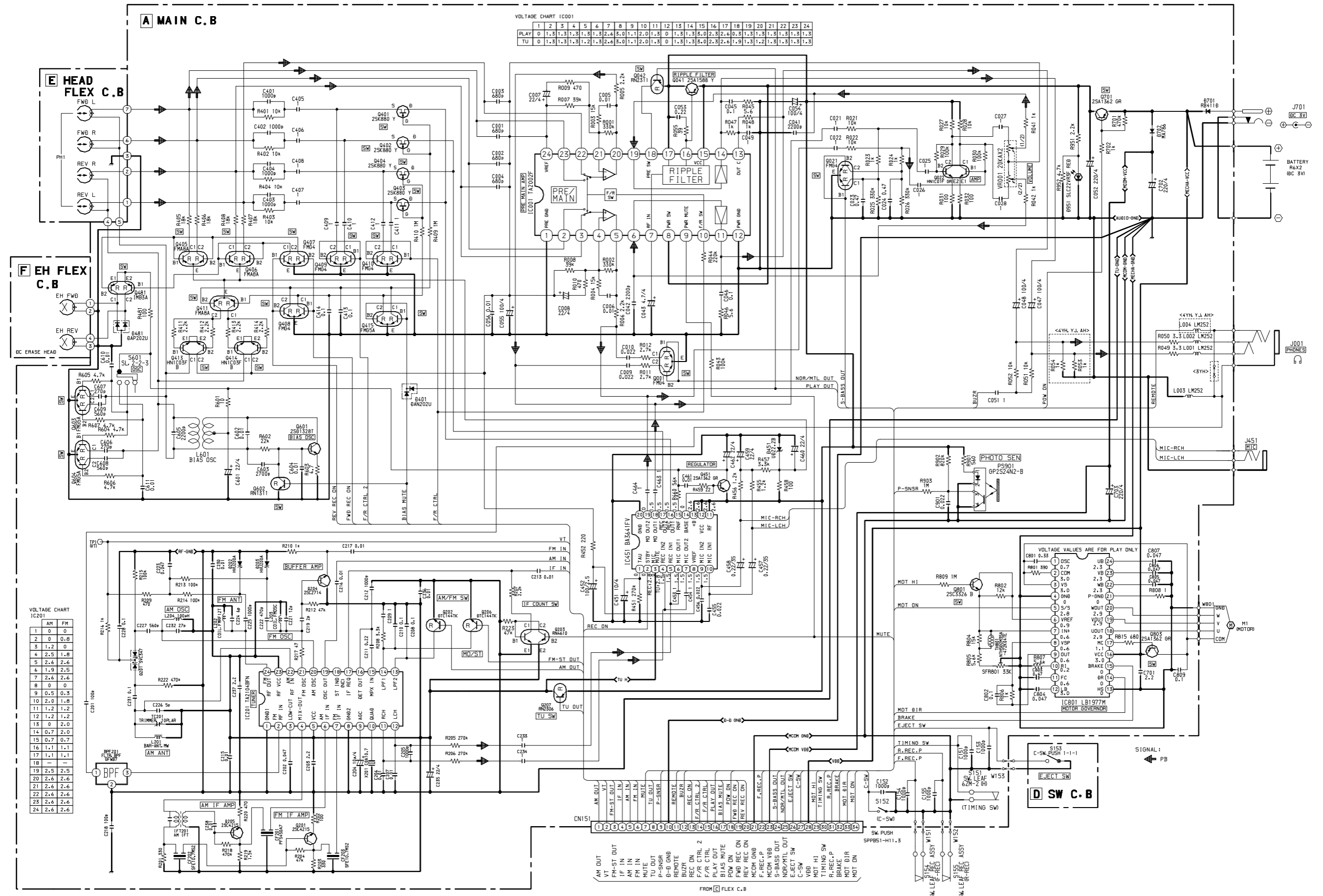
ANODE CONNECTION

No	COM1	COM2	COM3	COM4
1	COM1	—	—	—
2	—	COM2	—	—
3	—	—	COM3	—
4	—	—	—	COM4
5	KHz	6C	6G	6B
6	6D	6E	6F	6A
7	MHz	1-2	PRE	REC
8	5H	5C	5B	5A
9	5D	5E	5G	5F
10	M0	—	4C	4B
11	—	4H	4G	4A
12	S7	4D	4E	4F
13	P	3C	3B	S5
14	3I	3G	3H	3A
15	3D	3E	3F	S3
16	H1	S2	2	S4
17	NDR	R	1	FM
18	S1	F	—	AM
19	S-B	2E	2F	1-1
20	2D	2I	2G	2H
21	S6	2C	2B	2A
22	—	—	COM3	—
23	—	COM2	—	—

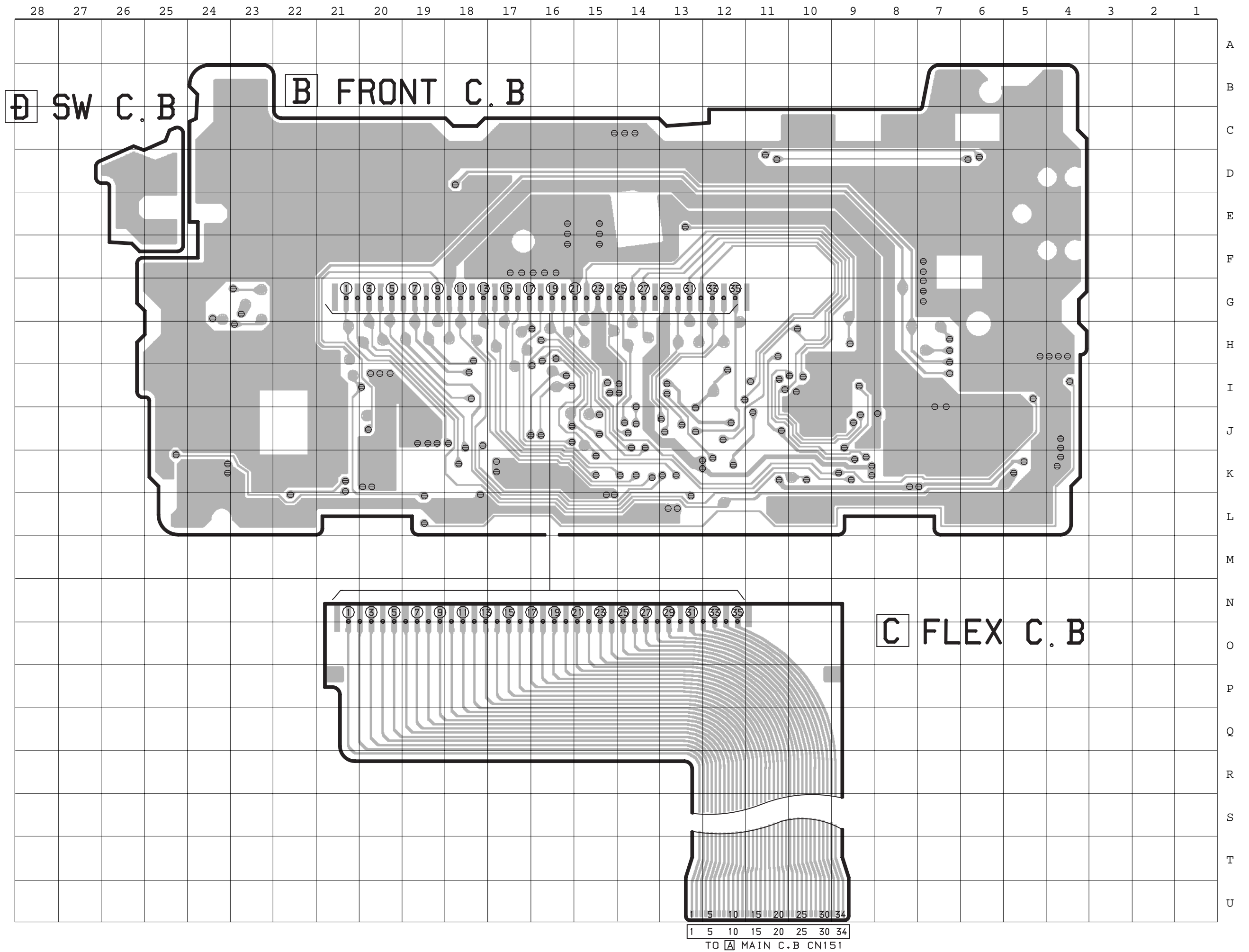
WIRING-1 (MAIN)

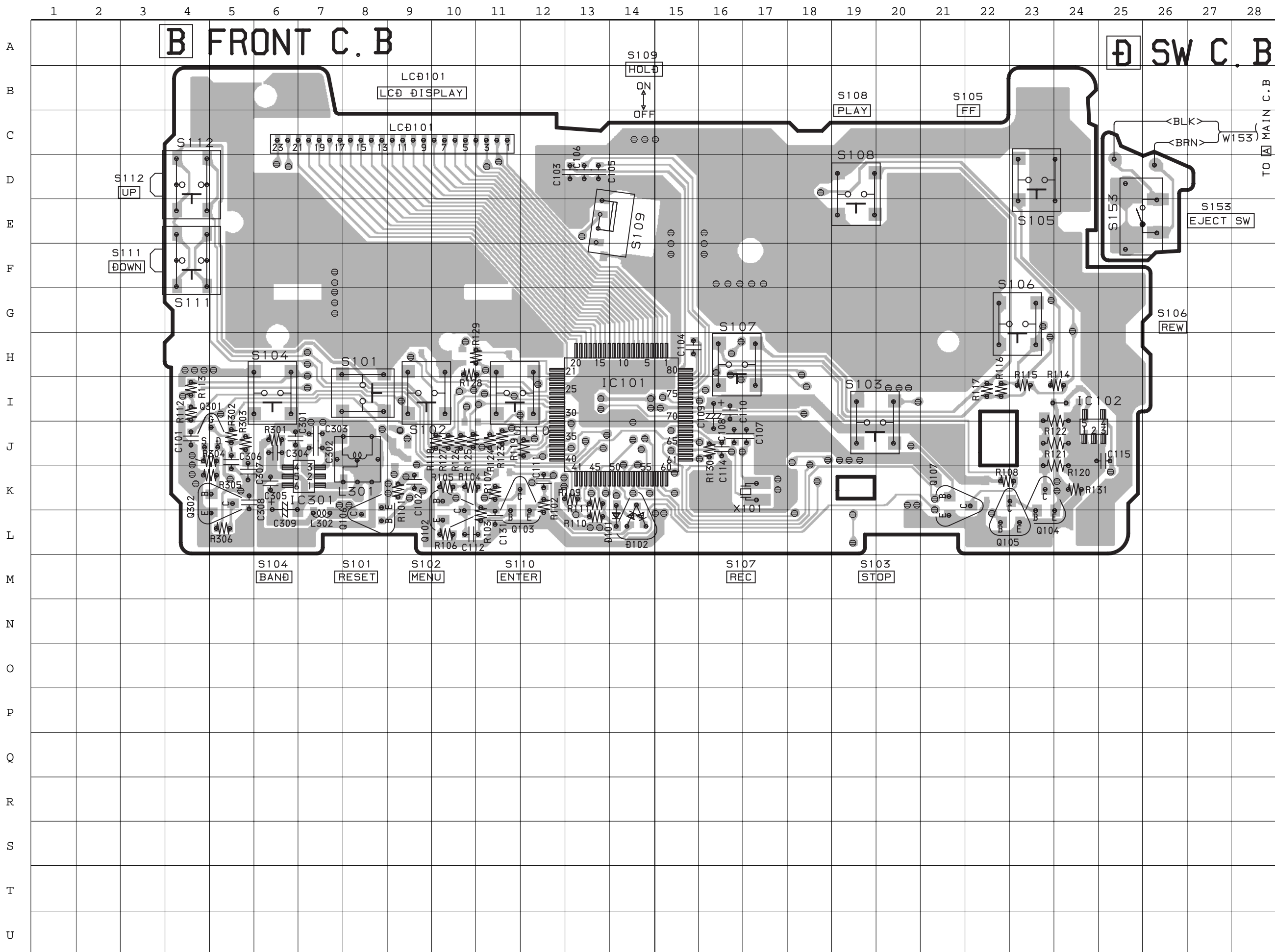


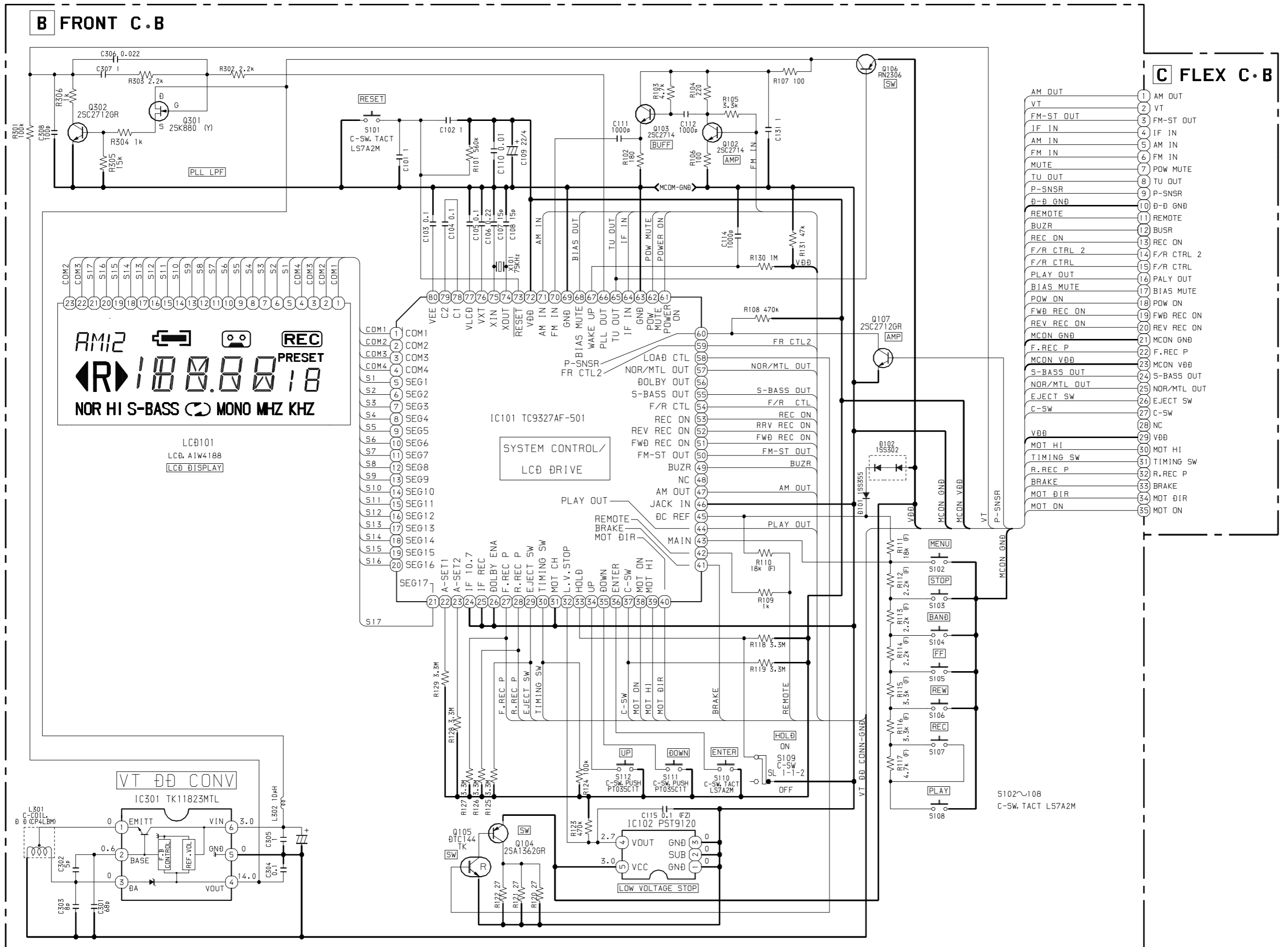
SCHEMATIC DIAGRAM-1 (MAIN)



WIRING-2 (FRONT)

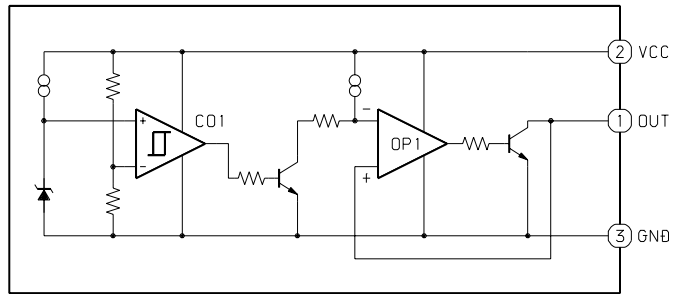




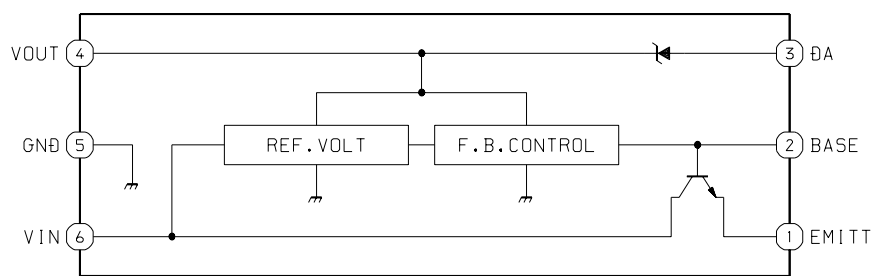


IC BLOCK DIAGRAM

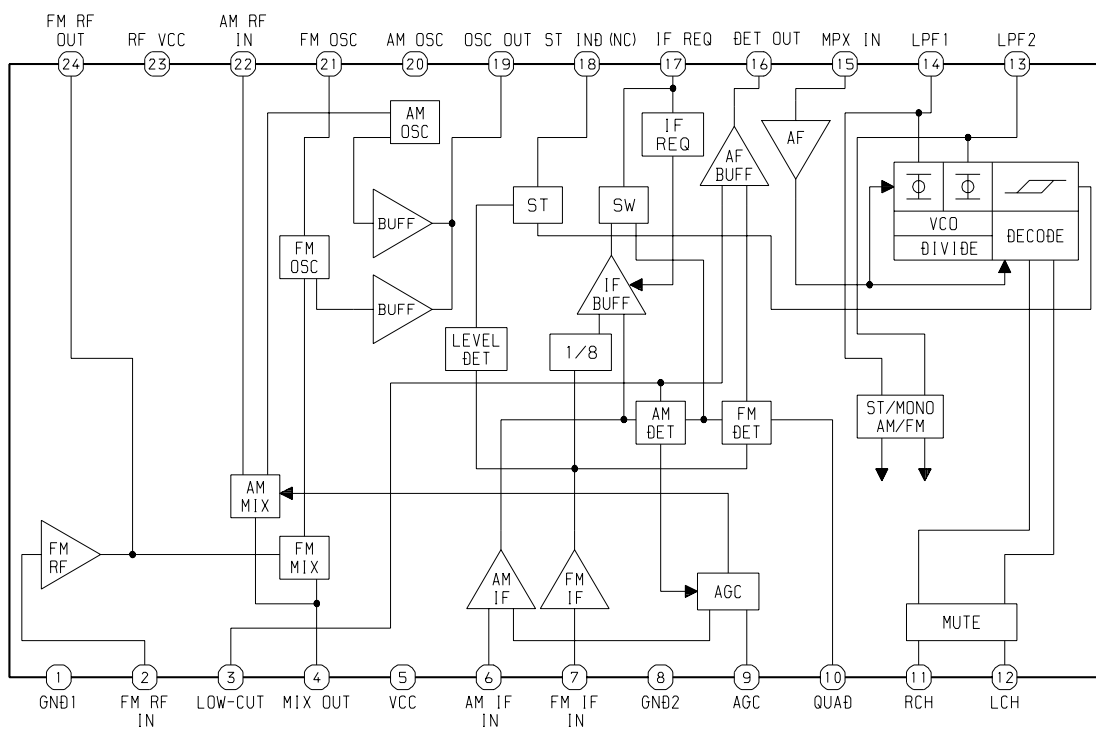
IC, PS9120



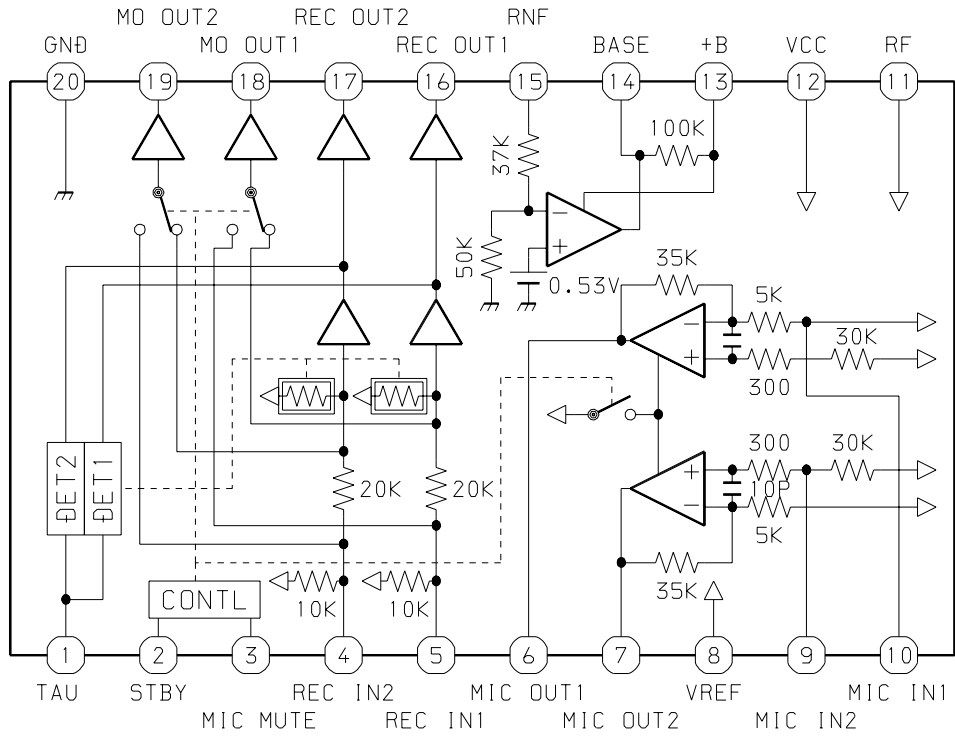
IC, TK11823MTL



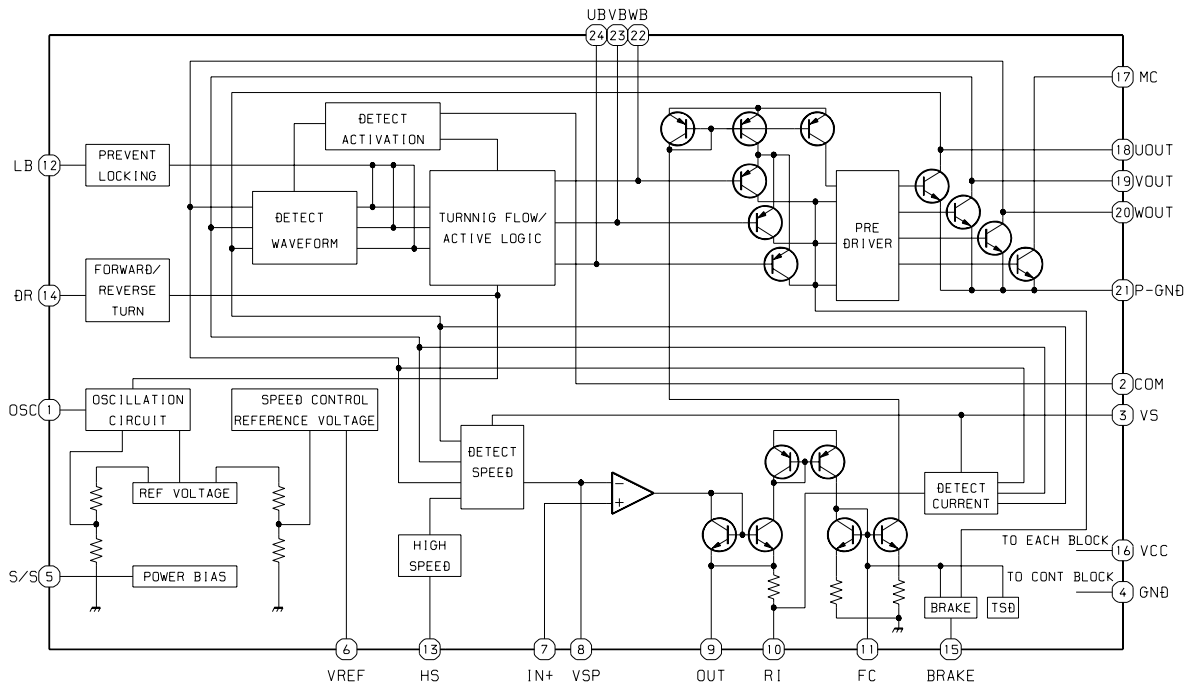
IC, TA2104BFN



IC, BA3641FV



IC, LB1977M



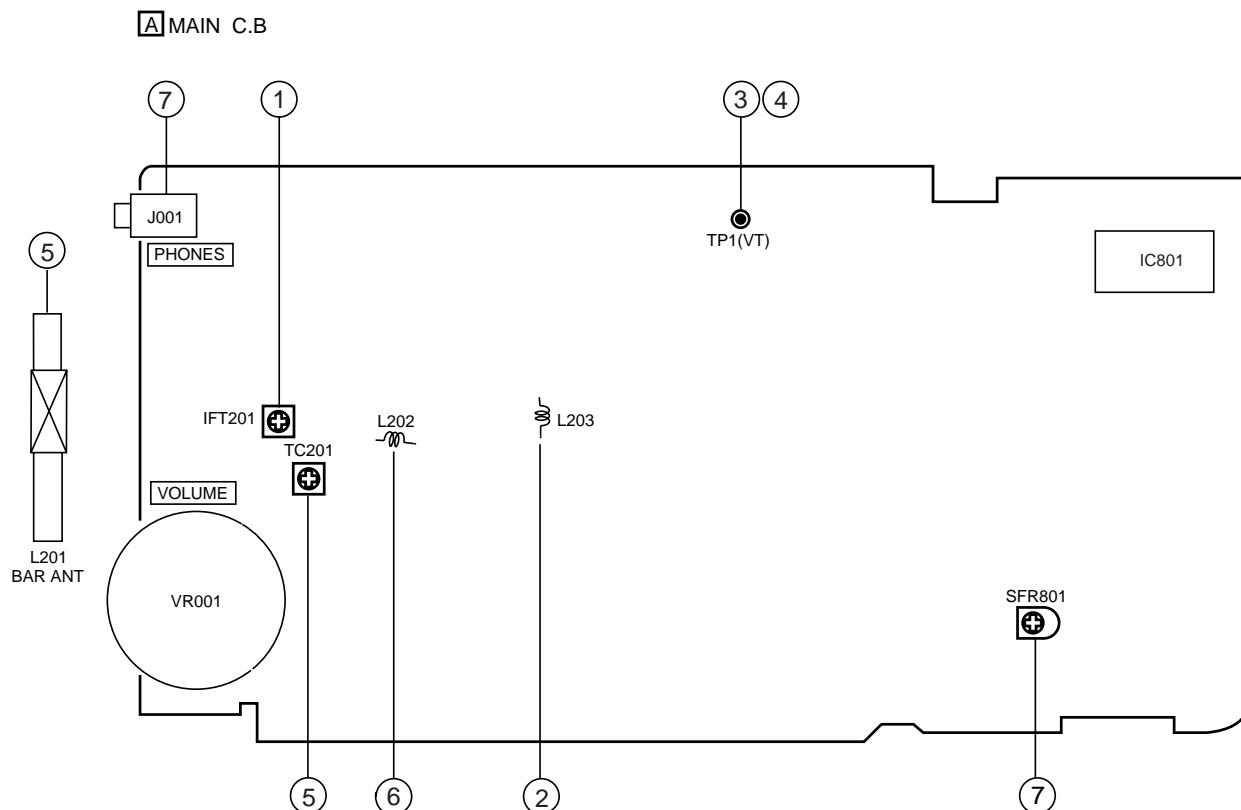
IC DESCRIPTION

IC, TC9327AF-501

Pin No.	Pin Name	I/O	Description				
1~4	COM1~COM4	O	Output LCD common 1~4.				
5~21	SEG1~SEG17	O	Output LCD segment 1~17.				
22,23	A-SET1,2	I	Input pin for switching J, U, E, H areas.				
				J area	U area	E area	H area
			A-SET1	L	L	H	H
A-SET2	L	H	L	H			
24	IF 10.7	I	"H": IF 10.75 MHz. "L": 10.7 MHz.				
25	IF REC	I	"H": Couny IF. "L": Count 1/8 IF.				
26	DOLBY ENA	I	Input pin for DOLBY enable. "H": DOLBY enable. "L": DOLBY disable.				
27	F. REC P	I	"H": FWD REC shift disable. "L": enable.				
28	R. REC P	I	"H": REV REC shift disable. "L": enable.				
29	EJECT SW	I	Input cassette open switch detection.				
30	TIMING SW	I	Input for mechanism operation detection.				
31	MOT CH	I	Input for motor activation detection.				
32	L.V. STOP	I	Input for mechanism stop opration by reduction current and key input control.				
33	HOLD	I	"H": Hold OFF. "L": Hold ON.				
34	UP	I	Input Up key. "H": Key ON. "L": Key OFF.				
35	DOWN	I	Input Down key. "H": Key ON. "L": Key OFF.				
36	ENTER	I	Input Enter key. "H": Key ON. "L": Key OFF.				
37	C-SW	I	Input pin for detecting the presence of cassette. "H": C-SW OFF. "L": C-SW ON.				
38	MOT ON	O	Output motor control. "H": Motor ON. "L": Motor OFF.				
39	MOT HI	O	Control motor. "H": Motor high speed. "L": Motor normal speed.				
40	MOT DIR	O	Output for motor rotation direction. "H": Counter Clockwise. "L": Clockwise.				
41	BRAKE	O	Output brake control for motor. "H": Brake ON. "L": Brake OFF.				
42	REMOTE	I	Input Remote control key.				
43	MAIN	I	Input Main unit key.				
44	PLAY OUT	O	"H": PLAY, FF and REW mode. "L" PLAY, FF and REW mode.				
45	DC REF	I	Input reference voltage for A/D.				
46	JACK IN	I	This is a pin where HP plug input is detected. "H": no plug. "L" plug exist.				
47	AM OUT	O	Output for AM mode. "H" : AM mode. "L" : Except AM mode.				
48	NC	-	Not connected.				
49	BUZR	O	Output buzzer.				
50	FM-ST OUT	O	Output FM MONO/ST switching.				
51	FWD. REC ON	O	"H": FWD REC mode. "L": Other mode.				
52	REV.REC ON	O	"H": REV REC mode. "L": Other mode.				
53	REC ON	O	"H": REC mode. "L": Other mode.				
54	F/R CTL	O	Output pin for tape run direction. "H": FWD direction. "L": REV direction.				
55	S-BASS OUT	O	Output S-BASS ON/OFF.				

PinNo.	PinName	I/O	Description
56	DOLBY OUT	O	Output DOLBY ON/OFF. (Not connected)
57	NOR/MTL OUT	O	Output normal tape and metal tape switching.
58	LOAD CTL	O	Output for checking power supply voltage. "H" : ON.
59	F/R CTL2	O	"H" : REV. "L" : FWD.
60	P-SNSR	I	Input for P-SNSR output waveform.
61	POWER ON	O	"H": POWER OFF. "L": POWER ON.
62	POW MUTE	O	Output muting. "H": MUTE OFF. "L": MUTE ON.
63	TEST	–	Connected to ground.
64	IF IN	I	Input IF signal.
65	TU OUT	O	Output "H". "H": TU mode. "L": except TU mode.
66	PLL OUT	O	Output phase comparison instrument.
67	WAKE UP	I	"H" : Normal mode. "L" : Clock stop mode.
68	BIAS MUTE	O	Output mute when REC. "H": MUTE ON. "L": MUTE OFF.
69	GND	–	Connected to ground.
70	FM IN	I	Input FM programmable counter.
71	AM IN	I	Input AM programmable counter.
72	VDD	–	Pin to apply voltage.
73	$\overline{\text{RESET}}$	I	Input system reset signal.
74	XOUT	O	Crystal oscillation pin.
75	XIN	I	Crystal oscillation pin.
76	VXT	–	Power supply pin for crystal oscillation.
77	VLCD	–	Reference voltage pin for LCD drive.
78	C1	–	Reference voltage pin for LCD drive.
79	C2	–	Reference voltage pin for LCD drive.
80	VEE	–	1.5V constant voltage power supply pin for LCD drive.

ADJUSTMENT



<TUNER SECTION>

1. AM IF Adjustment
IFT201 450kHz
2. FM IF Adjustment
L203 10.7MHz
3. AM VT Check
Settings : • Test point : TP1 (VT)
Method : Set to AM 530kHz and check that the test point voltage is $1.2V \pm 0.3V$. Then set to AM 1602kHz and check that the test point voltage is less than 8.4V or set to AM 1710kHz and check that the test point voltage is less than 9.0V.
4. FM VT Check
Settings : • Test point : TP1 (VT)
Method : Set to FM 87.5MHz and check that the test point voltage is $3.3V \pm 0.1V$. Then set to FM 108.1MHz and check that the test point voltage is less than 9.0V.
5. AM Tracking Adjustment
L201 630kHz
TC201 1440kHz
6. FM Tracking Adjustment
L202 87.5MHz

<TAPE PLAYER SECTION>

7. Tape Speed Adjustment
Settings : • Test tape : TTA-100
(at Tape center)
• Test point : PHONES JACK (J001)
• Tape selector : NORMAL
• S-BASS : OFF
• Volume : MAX
• Adjustment location : SFR801
Method : Play back the test tape and adjust SFR801 for $3015Hz \pm 10Hz$ (FWD) and $3015Hz \pm 40Hz$ (REV). Then confirm WOW is less than 0.55%.

PRACTICAL SERVICE FIGURE

<TUNER SECTION>

<FM SECTION>

Sensitivity :	Less than 17dB
(IHF, THD 3%)	[at 76.0 / 90.0MHz]
	Less than 18dB
	[at 108.0MHz]
Distortion :	Less than 2% (at input 54dB)
	Less than 3% (at input 110dB)
	[at 90.0MHz]
Stereo separation :	More than 16dB
	[at 90.0MHz]
Auto stop level :	12dB \pm 5dB
	[at 90.0MHz]
Intermediate frequency :	10.7 MHz \pm 0.1MHz

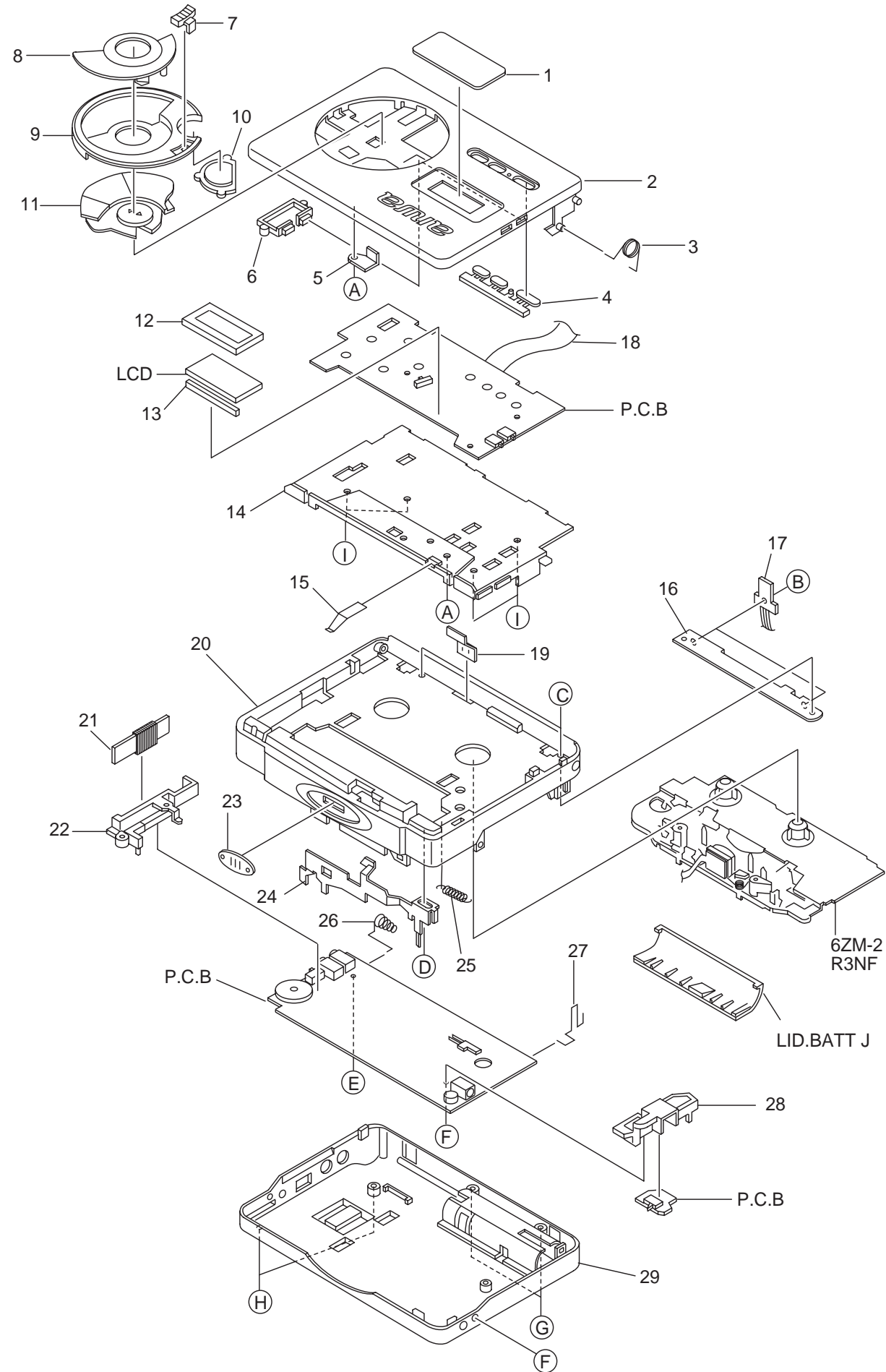
<AM SECTION>

Sensitivity :	Less than 58dB
(S/N 10dB)	[at 630kHz]
	Less than 56dB
	[at 999 / 1440kHz]
S/N ratio :	More than 26dB
(Input 74dB)	[at 630kHz]
	More than 25dB
	[at 999 / 1440kHz]
Distortion :	Less than 5% (at input 74dB)
	Less than 10% (at input 120dB)
	[at 999kHz]
Auto stop level :	60dB \pm 10dB
	[at 999kHz]
Intermediate frequency :	450kHz \pm 3kHz

<TAPE SECTION>

Tape speed :	3015Hz \pm 50Hz
Wow & flutter :	Less than 0.52% (RMS)
Take-up torque :	20 ~ 30g-cm (FWD, REV)
F.F torque :	70 ~ 150g-cm
Rew torque :	70 ~ 150g-cm
Back tension :	1.0 ~ 3.0g-cm (FWD, REV)
S/N ratio :	More than 43dB (PB, DC)
	More than 20dB (REC/PB, DC)
Distortion :	Less than 2.5% (PB, DC)
	Less than 10.0% (REC/PB, DC)
Noise level :	Less than 3.5mV (PB, DC, MAX.)
	Less than 0.3mV (PB, DC, MIN.)
Erasing Ratio:	More than 45dB
Frequency response :	63Hz +0/-8dB ~ 8kHz \pm 4dB
	(NORMAL, PB)
	63Hz +0/-8dB ~ 10kHz \pm 4dB
	(CRO2, PB)
	125Hz +1/-7dB ~ 8kHz -1/-13dB
	(REC/PB)
Test tape :	TTA-100
	TTA-210
	TTA-320(NORMAL)
	TTA-310(CRO2)

MECHANICAL EXPLODED VIEW 1/1



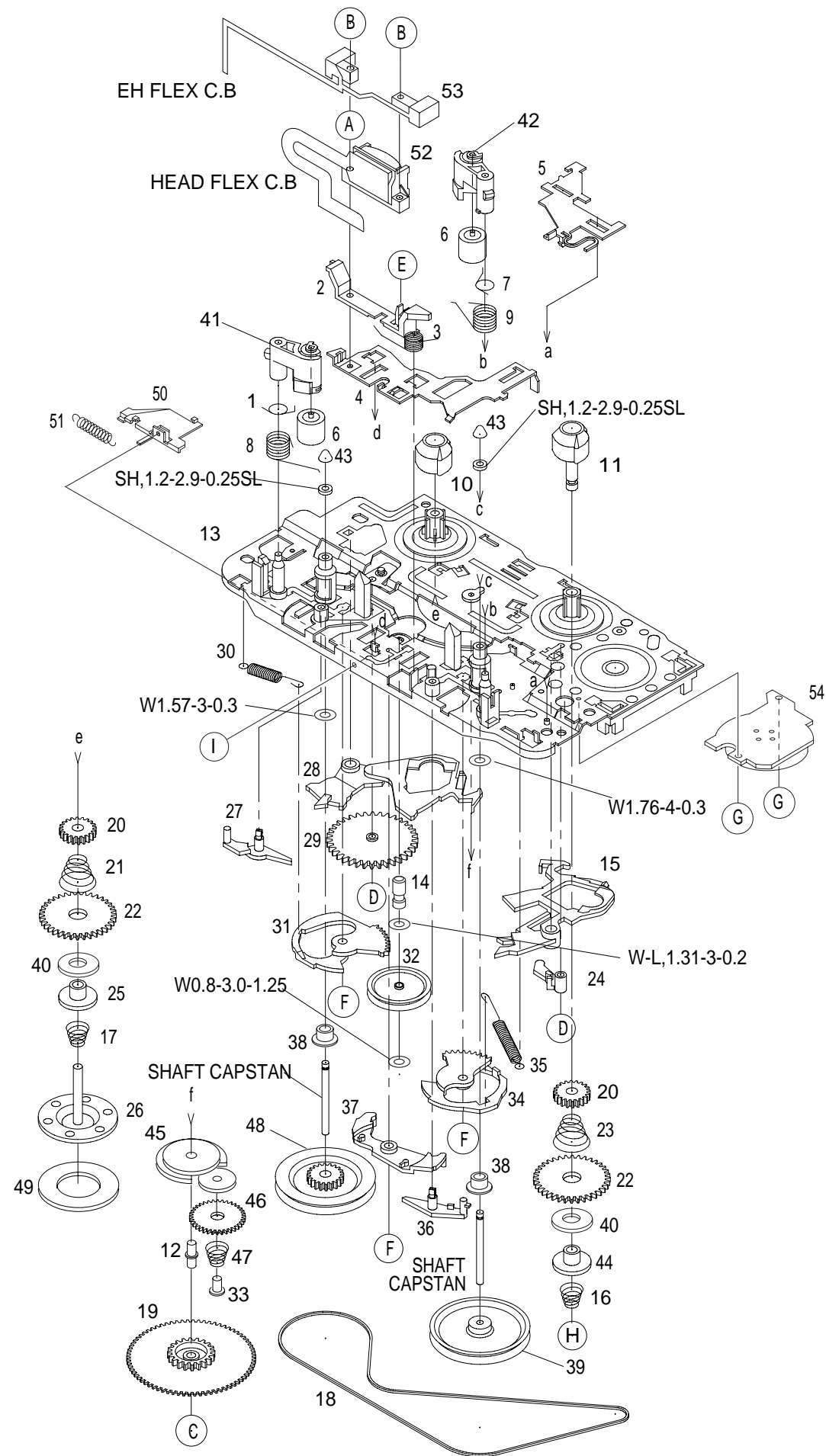
MECHANICAL PARTS LIST 1 / 1

REF.NO.	PARTNO.	KANRI NO.	DESCRIPTION	REF.NO.	PARTNO.	KANRI NO.	DESCRIPTION
1	8Z-HJ8-005-010		WINDOW,LCD J	19	87-HG6-204-010		SPR-P,CASS
2	8Z-HJ8-018-010		LID,CASS JX703 S<3YH>	20	8Z-HJ8-010-010		FRAME,CENTER J
2	8Z-HJ8-001-010		LID,CASS JX704 S<4YH,YJ>	21	87-HRA-603-010		BAR-ANT, MW
2	8Z-HJ8-019-010		LID,CASS JX706 S<AH>	22	8Z-HJ8-203-010		HLD,ANTENNA J
3	8Z-HR8-204-010		SPR-T,OPEN	23	8Z-HR8-012-010		KNOB,SL OPEN
4	8Z-HJ8-008-010		KEY,BAND	24	8Z-HR8-203-010		PLATE,LOCK
5	8Z-HR8-207-010		PLATE,STOPPER	25	8Z-HR8-215-010		SPR-E,OPEN
6	8Z-HJ8-007-010		KEY,TUNING	26	8Z-HR8-206-010		TERMINAL,BAT-
7	8Z-HJ8-004-010		KNOB,SL HOLD J	27	8Z-HR8-205-010		TERMINAL,BAT+
8	8Z-HJ8-012-010		PANEL,CONT S	28	8Z-HR8-202-010		HLD,SW
9	8Z-HJ8-003-010		PANEL,CONT J	29	8Z-HJ8-017-010		CABI,ASSY J
10	8Z-HJ8-006-010		KEY,REC	A	88-HJ3-219-010		S-SCREW,+1.4-2.5 B HL(0.3)
11	8Z-HJ8-002-010		KEY,CONT J	B	87-067-359-010		SCREW+1.4-2.5
12	8Z-HJ8-205-010		HLD,LCD J	C	87-067-706-010		S-SCREW +1.4-1.8 (BLK)
13	8Z-HR8-214-010		CONN, RUBBER1.3-30.5	D	87-HK5-235-010		S-SCREW,1.4-0.6-2.5
14	8Z-HJ8-202-010		COVER, PWB J	E	87-067-430-010		VT1.4-5 BLK
15	8Z-HR8-208-010		SPR-P,POP UP	F	8Z-HR8-212-010		S-SCREW,+1.4-4.5 CR HL
16	8Z-HJ8-201-010		HLD,REC SW	G	87-067-384-010		SCREWVT1.4-3.5HL
17	87-HJ3-608-010		SW,LEAF REC ASSY	H	8Z-HR8-211-010		S-SCREW,+1.4-8 BLK HL
18	8Z-HJ8-607-010		PWB,FLEX 34P	I	8Z-HJ8-208-010		S-SCREW,+1.4-4 B HL(0.3)

COLOR NAME TABLE

Basic color symbol	Color	Basic color symbol	Color	Basic color symbol	Color
B	Black	C	Cream	D	Orange
G	Green	H	Gray	L	Blue
LT	Transparent Blue	N	Gold	P	Pink
R	Red	S	Silver	ST	Titan Silver
T	Brown	V	Violet	W	White
WT	Transparent White	Y	Yellow	YT	Transparent Yellow
LM	Metallic Blue	LL	Light Blue	GT	Transparent Green
LD	Dark Blue	DT	Transparent Orange		

TAPE MECHANISM EXPLODED VIEW 1/1



TAPE MECHANISM PARTS LIST 1/1

REF.NO.	PARTNO.	KANRI NO.	DESCRIPTION	REF.NO.	PARTNO.	KANRI NO.	DESCRIPTION
1	86-ZM2-255-010		SPR-T,PIN BACK L	36	86-ZM2-222-410		LEVER,PIN UP R
2	86-ZM2-286-310		GUIDE,TAPE REC	37	86-ZM2-218-310		LEVER,HEAD UP
3	86-ZM2-220-210		SPR-T,HEAD	38	86-ZM2-221-010		CLR,BRG N
4	86-ZM2-285-210		LEVER,HEAD REC	39	86-ZM2-330-010		FLY-WHL,R2
5	86-ZM2-347-010		LEVER,MS EJECT	40	86-ZM2-239-010		FELT,
6	86-ZM2-226-110		ROLLER ASSY,PINCH	41	86-ZM2-225-310		ARM,PINCH L
7	86-ZM2-254-010		SPR-T,PIN BACK	42	86-ZM2-224-210		ARM,PINCH R
8	86-ZM2-230-110		SPR-T,PINCH L	43	86-ZM2-283-210		CAP,SHAFT
9	86-ZM2-229-110		SPR-T,PINCH R	44	86-ZM2-275-310		CAP,SLIP R
10	86-ZM2-240-110		CAP,REEL	45	86-ZM2-210-710		LEVER,FR
11	86-ZM2-234-110		SHAFT,REEL R	46	86-ZM2-211-210		GEAR,FR
12	86-ZM2-251-310		SHAFT,GEAR B	47	86-ZM2-213-210		SPR-C,FR
13	86-ZM2-361-110		CHAS ASSY,OUT-SERT P10	48	86-ZM2-314-110		FLY-WHL,L2
14	86-ZM2-268-310		SHAFT,PULLEY BELT 2	49	86-ZM2-282-010		SH,AUTO 2
15	86-ZM2-232-310		LEVER,REEL R	50	86-ZM2-342-010		LEVER ASSY,EJECT
16	86-ZM2-306-010		SPR-C,BT 2	51	86-ZM2-349-010		SPR-E,EJECT
17	86-ZM2-243-310		SPR-C,BT	52	8Z-HKE-619-010		HEAD,ASSY 6ZM-2(P10)
18	86-ZM2-329-210		BELT,P5	53	86-ZM2-326-010		HEAD ASSY,EH 6ZM-2 R2
19	86-ZM2-209-310		GEAR,B	54	M8-6ZS-393-000		ABL-63 D
20	86-ZM2-238-710		GEAR,FF	A	86-ZM2-338-010		W-L,1.47-2.4-0.125 W/ADH
21	86-ZM2-245-410		SPR-C,SLIP L	B	86-ZM2-296-110		S-SCREW,+1.4-8.45
22	86-ZM2-237-010		GEAR,PLAY	C	87-067-516-010		PW,3-1.58-0.25,SLIT
23	86-ZM2-241-310		SPR-C,SLIP R	D	87-067-860-010		PW,3-0.95-0.4
24	86-ZM2-272-010		LEVER,SW P 8.4	E	86-ZM2-364-010		W-L,1.47-2.4-0.188 W/ADH 0.05
25	86-ZM2-236-510		CAP,SLIP	F	86-ZM2-319-010		W-L,0.95-3-0.35
26	86-ZM2-235-210		SHAFT,REEL L	G	88-HK5-228-010		S-SCREW,+1.4-2 CR
27	86-ZM2-223-310		LEVER,PIN UP L	H	86-ZM2-278-010		W-P,1.36-4-0.2 SLT
28	86-ZM2-233-310		LEVER,REEL L	I	87-261-500-310		SCREW V+1.4-1.4 (BK)
29	86-ZM2-208-310		GEAR,A				
30	86-ZM2-217-210		SPR-E,CAM L				
31	86-ZM2-216-510		LEVER,CAM L				
32	86-ZM2-276-010		PULLEY,COUPLER				
33	86-ZM2-212-310		SHAFT,FR				
34	86-ZM2-214-510		LEVER,CAM R				
35	86-ZM2-215-210		SPR-E,CAM R				

ACCESSORIES / PACKAGE LIST

REF.NO.	PARTNO.	KANRI NO.	DESCRIPTION
1	8Z-HJ8-914-010		IB, AH (ECK)S 706<AH>
1	8Z-HJ8-915-010		IB, YH (ECK)S 703<3YH>
1	8Z-HJ8-904-010		IB, YJ (ECK)S 704<4YH, YJ>
2	84-447-019-310		CLIP, BELT
3	87-B30-150-210		HEADPHONE, HP-M006A(F)<3YH>
3	87-B30-251-010		HEADPHONE, HP-M042 (F)<4YH, YJ, AH>
4	8Z-HJ8-951-010		RC UNIT, RC704<4YH, YJ, AH>
5	87-041-083-110		CM-S40A

L ▶

A4 ▶

サービス技術ニュース	
番号	連絡内容
G-	-
G-	-
G-	-

アイワ株式会社 〒110-8710 東京都台東区池之端1-2-11 ☎03(3827)3111 (代表)
AIWA CO.,LTD. 2-11, IKENOHATA 1-CHOME, TAITO-KU, TOKYO 110, JAPAN TEL:03 (3827) 3111

9630469 931261

Printed in Singapore