

SEQ-50

US Model
 Canadian Model
 E Model
 AEP Model
 UK Model



GRAPHIC EQUALIZER

SPECIFICATIONS

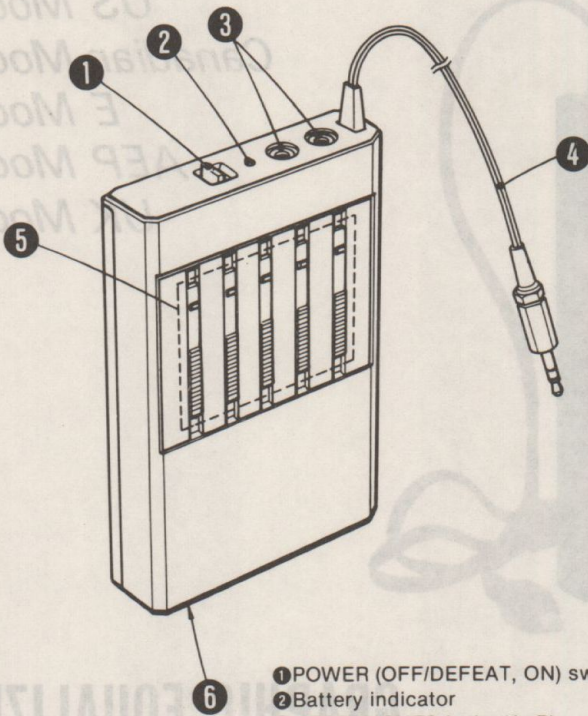
| | |
|---|---|
| Input | Stereo miniplug × 1 |
| Output | Stereo mini jack × 2 |
| Frequency response (with all controls set flat) | 70–15,000 Hz |
| Distortion (rated output) | Less than 0.2% |
| Signal-to-noise ratio (with all controls set flat, A network) | 65 dB |
| Center frequencies | 100 Hz, 300 Hz, 1 kHz, 3 kHz, 10 kHz |
| Boost/cut range | ±10dB |
| Gain (with all controls set flat) | 0dB |
| General | |
| Power requirements | 3 V dc, two batteries, IEC designation R6 (size AA) |
| Battery life | Approx. 35 hours using Sony SUM-3(NS) New Super batteries |
| Dimensions | Approx. 79 × 108 × 20.5 mm (w/h/d) (3 ¹ / ₈ × 4 ³ / ₈ × 1 ³ / ₁₆ inches) |
| Weight | not incl. projecting parts and controls Approx. 120 g (4.2 oz) not incl. batteries |
| Design and specifications | subject to change without notice. |

SONY®

SERVICE MANUAL

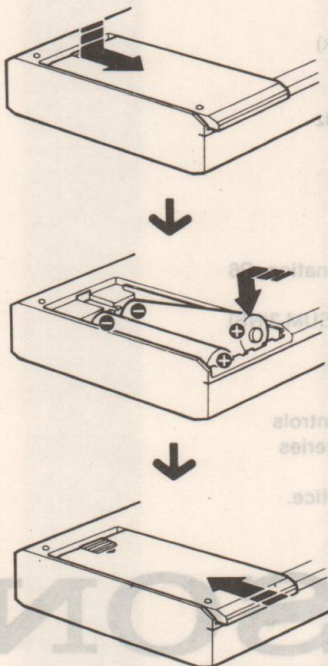


LOCATION OF CONTROLS



- ❶ POWER (OFF/DEFEAT, ON) switch
- ❷ Battery indicator
- ❸ HEADPHONES jacks (A, B)
- ❹ Stereo mini input plug
- ❺ Equalizer controls
- ❻ Battery compartment

ON BATTERIES



Battery installation

Open the battery compartment lid, insert two batteries, IEC designation R6 (size AA), with correct polarity as illustrated, then close the lid.

- The flat sides of the batteries press against the springs.

Battery life

When equalizing, you can expect Sony SUM-3(NS) New Super batteries to last for approximately 35 hours.

Intermittent use will prolong the useful battery life.

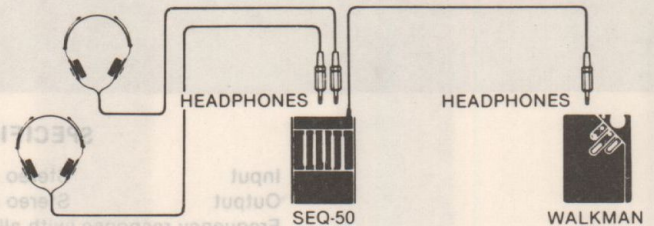
To check battery condition

Check the battery condition by observing the battery indicator. If the batteries become weak while the equalizer is in operation, the indicator light will glow faintly. When the batteries are exhausted completely, the indicator will not light.

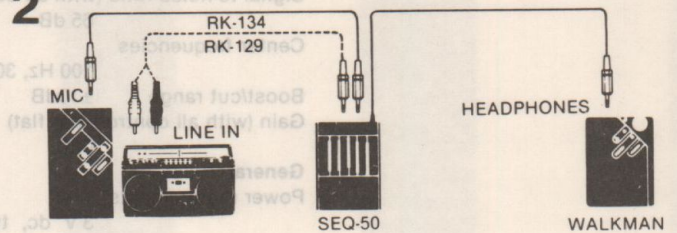
- Equalization with weak batteries will cause weak and distorted sound, and it will be necessary to replace all the batteries with fresh new ones.

CONNECTIONS

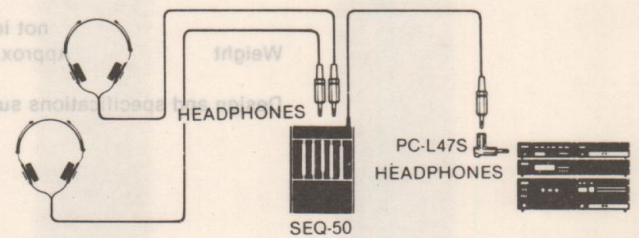
1 To equalize the playback sound of WALKMAN, etc.



2 To copy a tape



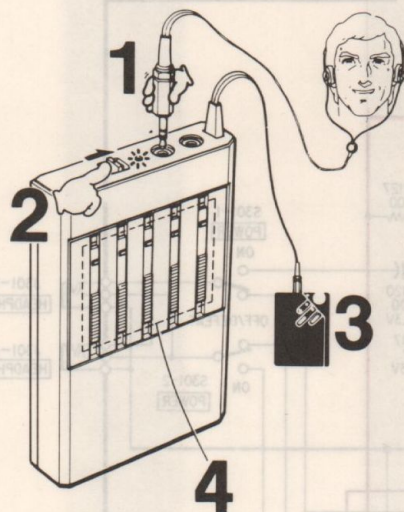
3 To remotely control the tone of the stereo system



To extend the cord of the stereo miniplug of SEQ-50, use the RK-G138 extension cord (optional).

OPERATION

1. BLOCK DIAGRAM



1 kHz control

Use this control to provide more presence for vocals. The adjustment of this frequency band can move the sound forward, or into the background.

3 kHz control

This frequency band contains sounds which if not properly balanced can be very irritating. Slide downwards to reduce stridency; slide upwards to obtain a brighter brass sound.

10 kHz control

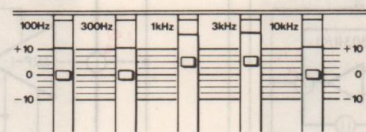
Adjust this control so that the sound from a violin is silky smooth.

EXAMPLES OF EQUALIZER CONTROL SETTINGS

The following are examples of how the equalizer controls might be set to achieve various results.

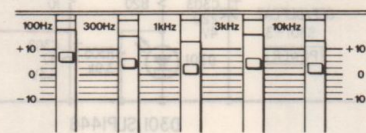
To provide more presence for vocals

The fundamental frequency of vocal is around 1 kHz. Slide the 1 kHz and 3 kHz controls upward. The vocal sound has more presence.



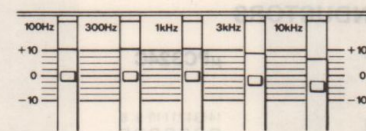
To make disco sound more powerful

To emphasize the bass guitar and bass drum, form a peak of which the center frequency is 100 Hz. Also slide the 3 kHz control upwards slightly to make the sound crisper.



To cut tape hiss

As tape noise is in the high-frequency range, slide the 3 kHz and the 10 kHz controls downwards.



- 1 To HEADPHONES jack.
- 2 Set the POWER switch to ON.
- 3 Play the program source.
- 4 Slide the equalizer controls of the frequency bands to be equalized gradually upwards or downwards.
- 5 Set the tape recorders in recording mode for tape copying.

To check the equalization results

Set the POWER switch to the OFF/DEFEAT position. The equalizer circuit is bypassed and you can monitor the non-equalized original sound.

Note

The sound will be cut off for about one second if the POWER switch is set to ON while the program source is being played. This is no problem.

HOW TO EQUALIZE

How to adjust the equalizer controls

First set all controls at their position, and then slide the control of the frequency band to be equalized gradually upwards or downwards until you perceive an apparent improvement. If the adjustment doesn't produce the anticipated improvement, return the control to the center position.

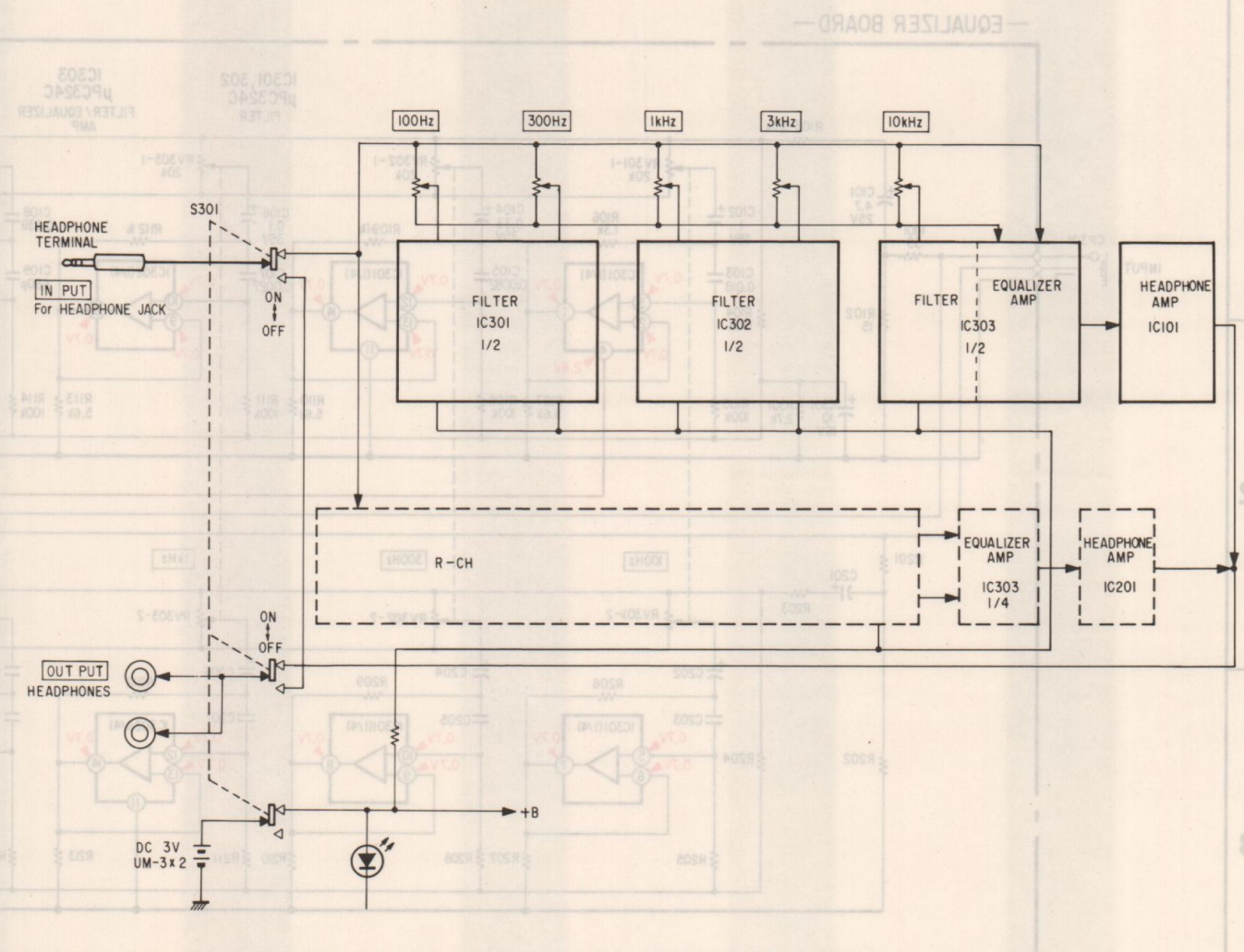
The frequency coverage and effect of each equalizer control

100 Hz control

Use this control to boost or cut the normal bass in a piece of music.

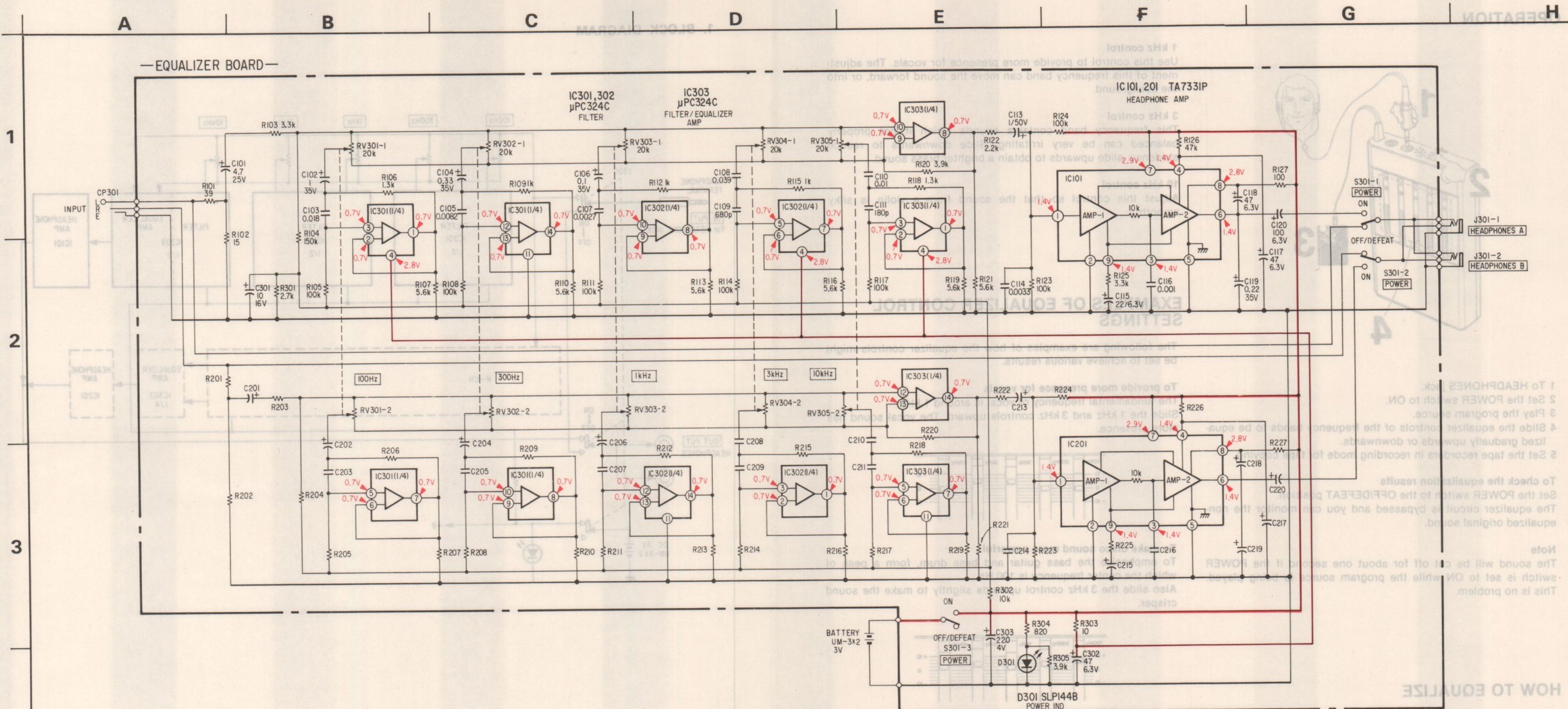
300 Hz control

This control governs the low-middle range and greatly influences the overall characteristics of the sound.



The value of components on R-CH are the same as L-CH.
 All capacitors are in pF unless otherwise noted.
 80WV or less are not indicated except for electrolytics.
 All resistors are in ohms, 10K or 100K unless otherwise noted.
 K: 1000Ω, M: 1000KΩ
 : panel designation
 Readings are taken with a 1MΩ-ohm-per-volt digital multimeter.

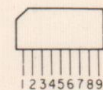
2. SCHEMATIC DIAGRAM



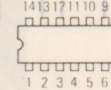
- The value of components on R-CH are the same as L-CH.
- All capacitors are in μ F unless otherwise noted. P : μ F 50WV or less are not indicated except for electrolytics.
- All resistors are in ohms, 1/6W unless otherwise noted. K : 1000 Ω , M : 1000K Ω
- : panel designation.
- Readings are taken with a 1M Ω -ohm-per-volt digital multimeter.

SEMICONDUCTORS

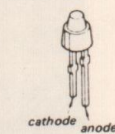
TA7331P



μ PC324C



SLP144B

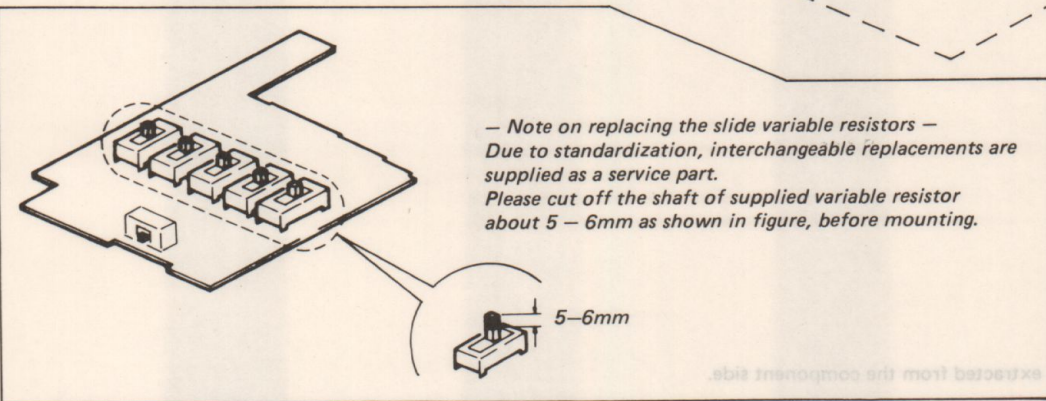
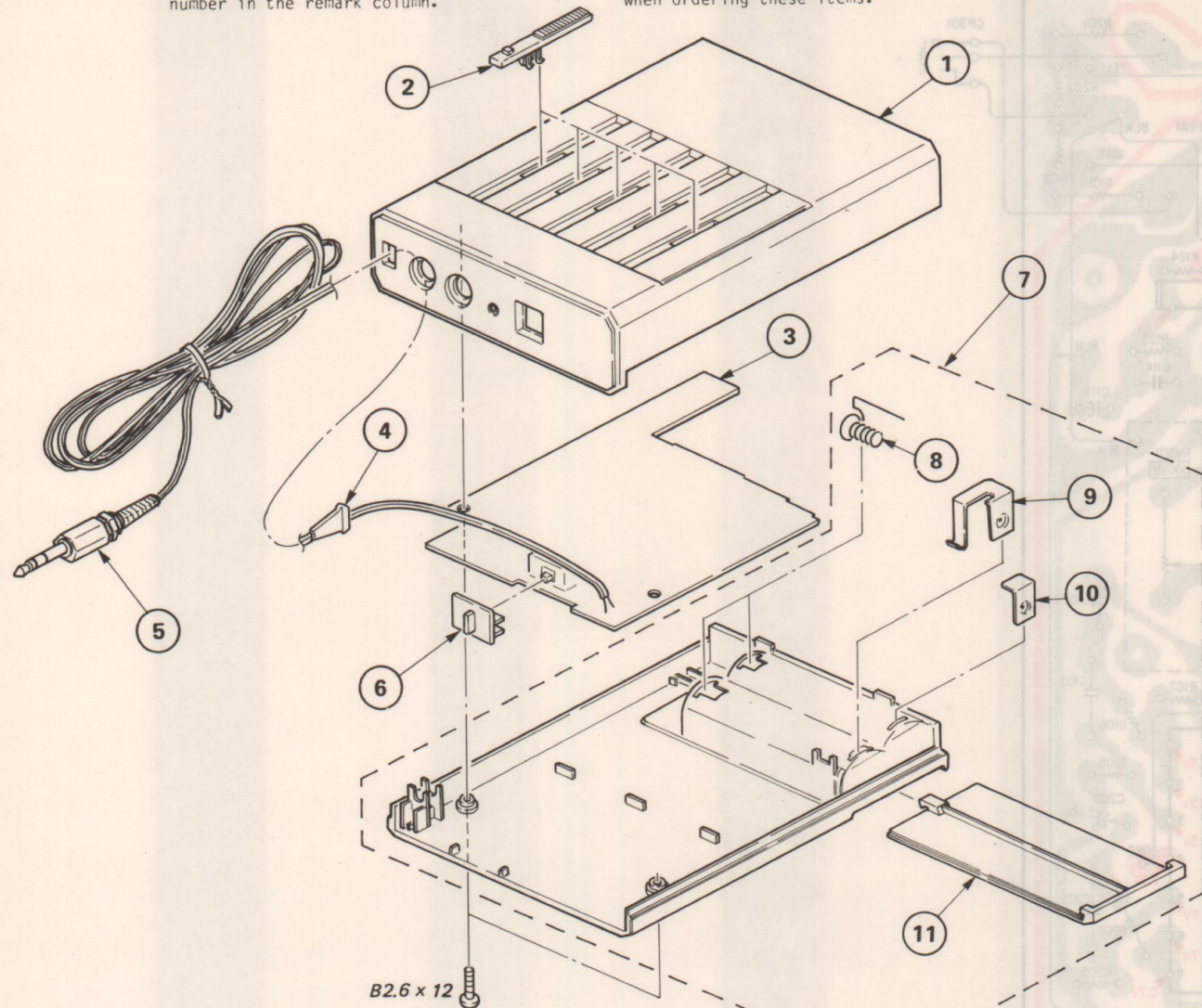


4. EXPLODED VIEW

NOTE:

- Items with no part number and no description are not stocked because they are seldom required for routine service.
- The construction parts of an assembled part are indicated with a collation number in the remark column.

- As to the part numbered with E-, refer to the electrical parts list.
- Items marked "▲" are not stocked since they are seldom required for routine service. Some delay should be anticipated when ordering these items.



5. ELECTRICAL PARTS LIST

NOTE:

The components identified by shading and mark ▲ are critical for safety. Replace only with part number specified.

• =>: Due to standardization, interchangeable replacements may be substituted for parts specified in the diagrams.

• Items marked "▲" are not stocked since they are seldom required for routine service. Some delay should be anticipated when ordering these items.

• All variable and adjustable resistors have characteristic curve B, unless otherwise noted.

CAPACITORS
• MF : μ F, PF : μ F

RESISTORS
• All resistors are in ohms
• F : nonflammable

COILS
• MMH : mH, UH : μ H

| Ref.No. | Part No. | Description | Remark | Ref.No. | Part No. | Description | Remark |
|----------------|--------------|--------------------------|------------------|----------|--------------|-----------------------------------|--------------|
| ▲:1-609-183-00 | | EQUALIZER BOARD ***** | | IC301 | 8-759-132-40 | IC UPC324C | |
| | | | | IC302 | 8-759-132-40 | IC UPC324C | |
| | | | | IC303 | 8-759-132-40 | IC UPC324C | |
| CAPACITOR | | | | | | | |
| C101 | 1-123-616-00 | ELECT | 4.7MF 20% 25V | JACK | | | |
| C102 | 1-131-347-00 | TANTALUM | 1MF 10% 35V | J301 | 1-507-665-00 | JACK | |
| C103 | 1-161-016-00 | CERAMIC | 0.018MF 10% 25V | BATTERY | | | |
| C104 | 1-131-344-00 | TANTALUM | 0.33MF 10% 35V | PT301 | 2-377-806-00 | PLATE, CONTACT, TERMINAL, BATTERY | |
| C105 | 1-161-012-00 | CERAMIC | 0.0082MF 10% 25V | RESISTOR | | | |
| C106 | 1-131-341-00 | TANTALUM | 0.1MF 10% 35V | R101 | 1-247-797-00 | CARBON | 39 5% 1/6W |
| C107 | 1-161-006-00 | CERAMIC | 0.0027MF 10% 25V | R102 | 1-247-787-00 | CARBON | 15 5% 1/6W |
| C108 | 1-161-020-00 | CERAMIC | 0.039MF 10% 25V | R103 | 1-247-843-00 | CARBON | 3.3K 5% 1/6W |
| C109 | 1-102-116-00 | CERAMIC | 680PF 10% 50V | R104 | 1-247-883-00 | CARBON | 150K 5% 1/6W |
| C110 | 1-161-013-00 | CERAMIC | 0.01MF 10% 25V | R105 | 1-247-879-00 | CARBON | 100K 5% 1/6W |
| C111 | 1-102-109-00 | CERAMIC | 180PF 10% 50V | R106 | 1-247-834-00 | CARBON | 1.3K 5% 1/6W |
| C113 | 1-123-611-00 | ELECT | 1MF 20% 50V | R107 | 1-247-849-00 | CARBON | 5.6K 5% 1/6W |
| C114 | 1-161-007-00 | CERAMIC | 0.0033MF 10% 25V | R108 | 1-247-879-00 | CARBON | 100K 5% 1/6W |
| C115 | 1-123-618-00 | ELECT | 22MF 20% 6.3V | R109 | 1-247-831-00 | CARBON | 1K 5% 1/6W |
| C116 | 1-102-074-00 | CERAMIC | 0.001MF 10% 50V | R110 | 1-247-849-00 | CARBON | 5.6K 5% 1/6W |
| C117 | 1-123-647-00 | ELECT | 47MF 20% 6.3V | R111 | 1-247-879-00 | CARBON | 100K 5% 1/6W |
| C118 | 1-123-647-00 | ELECT | 47MF 20% 6.3V | R112 | 1-247-831-00 | CARBON | 1K 5% 1/6W |
| C119 | 1-131-343-00 | TANTALUM | 0.22MF 10% 35V | R113 | 1-247-849-00 | CARBON | 5.6K 5% 1/6W |
| C120 | 1-123-661-00 | ELECT | 100MF 20% 6.3V | R114 | 1-247-879-00 | CARBON | 100K 5% 1/6W |
| C201 | 1-123-616-00 | ELECT | 4.7MF 20% 25V | R115 | 1-247-831-00 | CARBON | 1K 5% 1/6W |
| C202 | 1-131-347-00 | TANTALUM | 1MF 10% 35V | R116 | 1-247-849-00 | CARBON | 5.6K 5% 1/6W |
| C203 | 1-161-016-00 | CERAMIC | 0.018MF 10% 25V | R117 | 1-247-879-00 | CARBON | 100K 5% 1/6W |
| C204 | 1-131-344-00 | TANTALUM | 0.33MF 10% 35V | R118 | 1-247-834-00 | CARBON | 1.3K 5% 1/6W |
| C205 | 1-161-012-00 | CERAMIC | 0.0082MF 10% 25V | R119 | 1-247-849-00 | CARBON | 5.6K 5% 1/6W |
| C206 | 1-131-341-00 | TANTALUM | 0.1MF 10% 35V | R120 | 1-247-845-00 | CARBON | 3.9K 5% 1/6W |
| C207 | 1-161-006-00 | CERAMIC | 0.0027MF 10% 25V | R121 | 1-247-849-00 | CARBON | 5.6K 5% 1/6W |
| C208 | 1-161-020-00 | CERAMIC | 0.039MF 10% 25V | R122 | 1-247-839-00 | CARBON | 2.2K 5% 1/6W |
| C209 | 1-102-116-00 | CERAMIC | 680PF 10% 50V | R123 | 1-247-879-00 | CARBON | 100K 5% 1/6W |
| C210 | 1-161-013-00 | CERAMIC | 0.01MF 10% 25V | R124 | 1-247-879-00 | CARBON | 100K 5% 1/6W |
| C211 | 1-102-109-00 | CERAMIC | 180PF 10% 50V | R125 | 1-247-843-00 | CARBON | 3.3K 5% 1/6W |
| C213 | 1-123-611-00 | ELECT | 1MF 20% 50V | R126 | 1-247-871-00 | CARBON | 47K 5% 1/6W |
| C214 | 1-161-007-00 | CERAMIC | 0.0033MF 10% 25V | R127 | 1-247-807-00 | CARBON | 100 5% 1/6W |
| C215 | 1-123-618-00 | ELECT | 22MF 20% 6.3V | R201 | 1-247-797-00 | CARBON | 39 5% 1/6W |
| C216 | 1-102-074-00 | CERAMIC | 0.001MF 10% 50V | R202 | 1-247-787-00 | CARBON | 15 5% 1/6W |
| C217 | 1-123-647-00 | ELECT | 47MF 20% 6.3V | R203 | 1-247-843-00 | CARBON | 3.3K 5% 1/6W |
| C218 | 1-123-647-00 | ELECT | 47MF 20% 6.3V | R204 | 1-247-883-00 | CARBON | 150K 5% 1/6W |
| C219 | 1-131-343-00 | TANTALUM | 0.22MF 10% 35V | R205 | 1-247-879-00 | CARBON | 100K 5% 1/6W |
| C220 | 1-123-661-00 | ELECT | 100MF 20% 6.3V | R206 | 1-247-834-00 | CARBON | 1.3K 5% 1/6W |
| C301 | 1-123-617-00 | ELECT | 10MF 20% 16V | R207 | 1-247-849-00 | CARBON | 5.6K 5% 1/6W |
| C302 | 1-123-647-00 | ELECT | 47MF 20% 6.3V | R208 | 1-247-879-00 | CARBON | 100K 5% 1/6W |
| C303 | 1-123-827-00 | ELECT | 220MF 20% 4V | R209 | 1-247-831-00 | CARBON | 1K 5% 1/6W |
| DIODE | | | | | | | |
| D301 | 8-719-901-44 | DIODE SLP144B | | R210 | 1-247-849-00 | CARBON | 5.6K 5% 1/6W |
| IC | | | | | | | |
| IC101 | 8-759-203-31 | IC TA7331P | | R211 | 1-247-879-00 | CARBON | 100K 5% 1/6W |
| IC201 | 8-759-203-31 | IC TA7331P | | R212 | 1-247-831-00 | CARBON | 1K 5% 1/6W |
| | | | | R213 | 1-247-849-00 | CARBON | 5.6K 5% 1/6W |
| | | | | R214 | 1-247-879-00 | CARBON | 100K 5% 1/6W |

| No. | Part No. | Description | Remark | No. | Part No. | Description | Remark |
|-----|----------------|------------------------|--------|-----|--------------|-------------------------|-----------|
| 1 | 2-377-808-11 | CASE, FRONT | | 7 | X-2377-802-1 | CASE ASSY, REAR | 8,9,10,11 |
| 2 | 2-377-807-11 | KNOB, SLIDE | | 8 | 2-377-804-00 | TERMINAL (-), BATTERY | |
| 3 | ▲:1-609-183-00 | PC BOARD EQUALIZER | | 9 | 2-377-805-00 | TERMINAL (+), B BATTERY | |
| | ▲:A-3806-001-A | MOUNTED PCB, EQUALIZER | | 10 | 2-377-803-00 | TERMINAL (+), A BATTERY | |
| 4 | 2-284-621-11 | BUSHING (A) | | 11 | 2-377-802-11 | LID, BATTERY CASE | |
| 5 | 1-555-691-00 | CORD (WITH PLUG) | | | | | |
| 6 | 2-377-801-00 | KNOB, POWER | | | | | |

| Ref.No. | Part No. | Description | Remark |
|-------------------|--------------|---------------------|--------|
| R215 | 1-247-831-00 | CARBON 1K 5% 1/6W | |
| R216 | 1-247-849-00 | CARBON 5.6K 5% 1/6W | |
| R217 | 1-247-879-00 | CARBON 100K 5% 1/6W | |
| R218 | 1-247-834-00 | CARBON 1.3K 5% 1/6W | |
| R219 | 1-247-849-00 | CARBON 5.6K 5% 1/6W | |
| R220 | 1-247-845-00 | CARBON 3.9K 5% 1/6W | |
| R221 | 1-247-849-00 | CARBON 5.6K 5% 1/6W | |
| R222 | 1-247-839-00 | CARBON 2.2K 5% 1/6W | |
| R223 | 1-247-879-00 | CARBON 100K 5% 1/6W | |
| R224 | 1-247-879-00 | CARBON 100K 5% 1/6W | |
| R225 | 1-247-843-00 | CARBON 3.3K 5% 1/6W | |
| R226 | 1-247-871-00 | CARBON 47K 5% 1/6W | |
| R227 | 1-247-807-00 | CARBON 100 5% 1/6W | |
| R301 | 1-247-841-00 | CARBON 2.7K 5% 1/6W | |
| R302 | 1-247-855-00 | CARBON 10K 5% 1/6W | |
| R303 | 1-247-783-00 | CARBON 10 5% 1/6W | |
| R304 | 1-247-829-00 | CARBON 820 5% 1/6W | |
| R305 | 1-247-845-00 | CARBON 3.9K 5% 1/6W | |
| SWITCH | | | |
| S301 | 1-554-387-00 | SWITCH, SLIDE | |
| VARIABLE RESISTOR | | | |
| VR301 | 0-731-200-00 | RES, VAR, SLIDE | |
| VR302 | 0-731-200-00 | RES, VAR, SLIDE | |
| VR303 | 0-731-200-00 | RES, VAR, SLIDE | |
| VR304 | 0-731-200-00 | RES, VAR, SLIDE | |
| VR305 | 0-731-200-00 | RES, VAR, SLIDE | |

MISCELLANEOUS

1-555-691-00 CORD (WITH PLUG)

ACCESSORIES AND PACKING MATERIALS

| Part No. | Description | Remark |
|--------------|----------------------|--------|
| 2-377-812-00 | CUSHION (LOWER) | |
| 2-377-813-00 | CUSHION (UPPER) | |
| 3-773-273-21 | MANUAL, INSTRUCTION | |
| 2-377-815-00 | INDIVIDUAL CARTON | |
| 3-701-328-00 | LABEL, PRODUCT COLOR | |
| 2-377-818-00 | LABEL, INSTRUCTION | |

1/4 WATT CARBON RESISTORS

| Ω | Part No. | Ω | Part No. | Ω | Part No. | Ω | Part No. | Ω | Part No. | Ω | Part No. | Ω | Part No. |
|-----|--------------|----|--------------|-----|--------------|------|--------------|-----|--------------|------|--------------|------|--------------|
| 1.0 | 1-246-401-00 | 10 | 1-246-425-00 | 100 | 1-246-449-00 | 1.0k | 1-246-473-00 | 10k | 1-246-497-00 | 100k | 1-246-521-00 | 1.0M | 1-246-545-00 |
| 1.1 | 1-246-402-00 | 11 | 1-246-426-00 | 110 | 1-246-450-00 | 1.1k | 1-246-474-00 | 11k | 1-246-498-00 | 110k | 1-246-522-00 | 1.1M | 1-210-814-00 |
| 1.2 | 1-246-403-00 | 12 | 1-246-427-00 | 120 | 1-246-451-00 | 1.2k | 1-246-475-00 | 12k | 1-246-499-00 | 120k | 1-246-523-00 | 1.2M | 1-210-815-00 |
| 1.3 | 1-246-404-00 | 13 | 1-246-428-00 | 130 | 1-246-452-00 | 1.3k | 1-246-476-00 | 13k | 1-246-500-00 | 130k | 1-246-524-00 | 1.3M | 1-210-816-00 |
| 1.5 | 1-246-405-00 | 15 | 1-246-429-00 | 150 | 1-246-453-00 | 1.5k | 1-246-477-00 | 15k | 1-246-501-00 | 150k | 1-246-525-00 | 1.5M | 1-210-817-00 |
| 1.6 | 1-246-406-00 | 16 | 1-246-430-00 | 160 | 1-246-454-00 | 1.6k | 1-246-478-00 | 16k | 1-246-502-00 | 160k | 1-246-526-00 | 1.6M | 1-210-818-00 |
| 1.8 | 1-246-407-00 | 18 | 1-246-431-00 | 180 | 1-246-455-00 | 1.8k | 1-246-479-00 | 18k | 1-246-503-00 | 180k | 1-246-527-00 | 1.8M | 1-210-819-00 |
| 2.0 | 1-246-408-00 | 20 | 1-246-432-00 | 200 | 1-246-456-00 | 2.0k | 1-246-480-00 | 20k | 1-246-504-00 | 200k | 1-246-528-00 | 2.0M | 1-210-820-00 |
| 2.2 | 1-246-409-00 | 22 | 1-246-433-00 | 220 | 1-246-457-00 | 2.2k | 1-246-481-00 | 22k | 1-246-505-00 | 220k | 1-246-529-00 | 2.2M | 1-210-821-00 |
| 2.4 | 1-246-410-00 | 24 | 1-246-434-00 | 240 | 1-246-458-00 | 2.4k | 1-246-482-00 | 24k | 1-246-506-00 | 240k | 1-246-530-00 | 2.4M | 1-244-754-00 |
| 2.7 | 1-246-411-00 | 27 | 1-246-435-00 | 270 | 1-246-459-00 | 2.7k | 1-246-483-00 | 27k | 1-246-507-00 | 270k | 1-246-531-00 | 2.7M | 1-244-755-00 |
| 3.0 | 1-246-412-00 | 30 | 1-246-436-00 | 300 | 1-246-460-00 | 3.0k | 1-246-484-00 | 30k | 1-246-508-00 | 300k | 1-246-532-00 | 3.0M | 1-244-756-00 |
| 3.3 | 1-246-413-00 | 33 | 1-246-437-00 | 330 | 1-246-461-00 | 3.3k | 1-246-485-00 | 33k | 1-246-509-00 | 330k | 1-246-533-00 | 3.3M | 1-244-757-00 |
| 3.6 | 1-246-414-00 | 36 | 1-246-438-00 | 360 | 1-246-462-00 | 3.6k | 1-246-486-00 | 36k | 1-246-510-00 | 360k | 1-246-534-00 | 3.6M | 1-244-758-00 |
| 3.9 | 1-246-415-00 | 39 | 1-246-439-00 | 390 | 1-246-463-00 | 3.9k | 1-246-487-00 | 39k | 1-246-511-00 | 390k | 1-246-535-00 | 3.9M | 1-244-759-00 |
| 4.3 | 1-246-416-00 | 43 | 1-246-440-00 | 430 | 1-246-464-00 | 4.3k | 1-246-488-00 | 43k | 1-246-512-00 | 430k | 1-246-536-00 | 4.3M | 1-244-760-00 |
| 4.7 | 1-246-417-00 | 47 | 1-246-441-00 | 470 | 1-246-465-00 | 4.7k | 1-246-489-00 | 47k | 1-246-513-00 | 470k | 1-246-537-00 | 4.7M | 1-244-761-00 |
| 5.1 | 1-246-418-00 | 51 | 1-246-442-00 | 510 | 1-246-466-00 | 5.1k | 1-246-490-00 | 51k | 1-246-514-00 | 510k | 1-246-538-00 | 5.1M | 1-244-762-00 |
| 5.6 | 1-246-419-00 | 56 | 1-246-443-00 | 560 | 1-246-467-00 | 5.6k | 1-246-491-00 | 56k | 1-246-515-00 | 560k | 1-246-539-00 | | |
| 6.2 | 1-246-420-00 | 62 | 1-246-444-00 | 620 | 1-246-468-00 | 6.2k | 1-246-492-00 | 62k | 1-246-516-00 | 620k | 1-246-540-00 | | |
| 6.8 | 1-246-421-00 | 68 | 1-246-445-00 | 680 | 1-246-469-00 | 6.8k | 1-246-493-00 | 68k | 1-246-517-00 | 680k | 1-246-541-00 | | |
| 7.5 | 1-246-422-00 | 75 | 1-246-446-00 | 750 | 1-246-470-00 | 7.5k | 1-246-494-00 | 75k | 1-246-518-00 | 750k | 1-246-542-00 | | |
| 8.2 | 1-246-423-00 | 82 | 1-246-447-00 | 820 | 1-246-471-00 | 8.2k | 1-246-495-00 | 82k | 1-246-519-00 | 820k | 1-246-543-00 | | |
| 9.1 | 1-246-424-00 | 91 | 1-246-448-00 | 910 | 1-246-472-00 | 9.1k | 1-246-496-00 | 91k | 1-246-520-00 | 910k | 1-246-544-00 | | |

MISCELLANEOUS

 1-852-691-00 CORD (WITH PLUG)

 ACCESSORIES AND PACKING MATERIALS

 Part No. Description Remark
 S-377-812-00 CUSHION (LOWER)
 S-377-813-00 CUSHION (UPPER)
 S-773-573-51 MANUAL, INSTRUCTION
 S-377-812-00 INDIVIDUAL CARTON
 S-707-358-00 LABEL, PRODUCT COLOR
 S-377-818-00 LABEL, INSTRUCTION

SERVICE MANUAL

SUPPLEMENT

File this supplement with the Service Manual.

US Model
 Canadian Model
 AEP Model
 UK Model
 E Model

1. Gray type has been added.
 Add the following parts in the Service Manual on page 9.

No. 1
 May, 1984

GENERAL SECTION

| <u>Ref. No.</u> | <u>Part No.</u> | <u>Description</u> |
|-----------------|-----------------|-----------------------------|
| 1 | 2-377-808-00 | (GRY) ... CASE, FRONT |
| 2 | 2-377-807-00 | (GRY) ... KNOB, SLIDE |
| 4 | 2-284-621-02 | (GRY) ... BUSHING (A) |
| 5 | 1-556-726-00 | (GRY) ... CORD (WITH PLUG) |
| 6 | 2-377-801-00 | (GRY) ... KNOB, POWER |
| 7 | X-2377-801-1 | (GRY) ... CASE ASSY, REAR |
| 11 | 2-377-802-00 | (GRY) ... LID, BATTERY CASE |

ACCESSORIES AND PACKING MATERIALS

3-701-329-00 (GRY) ... LABEL, PRODUCT COLOR

2. Following Part No. have been changed.

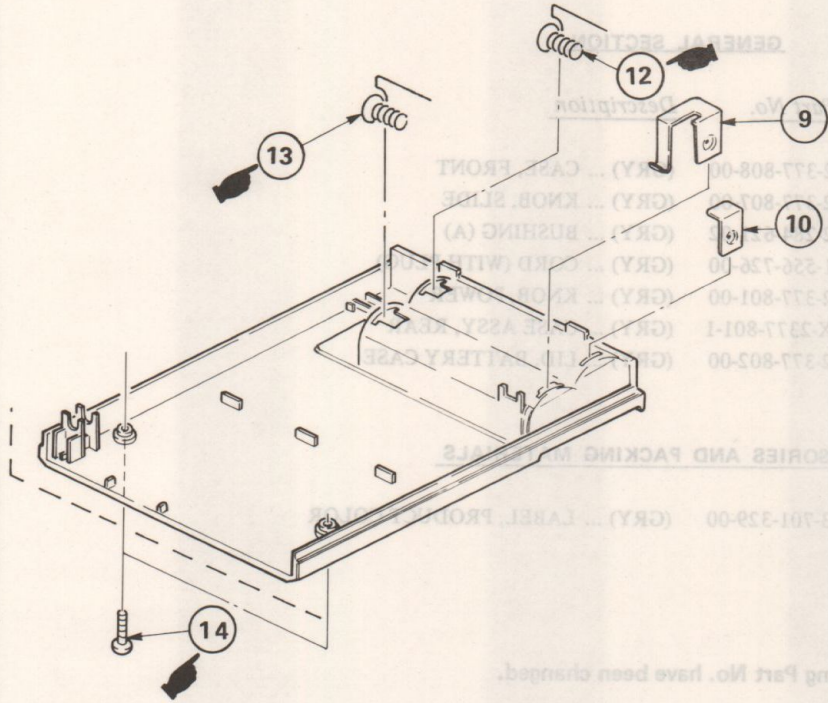
| <u>Ref. No.</u> | <u>Description</u> | <u>Former Part No.</u> | <u>New Part No.</u> |
|-----------------|----------------------------------|------------------------|----------------------------|
| 5 | (BLK) ... CORD (WITH PLUG) | 1-555-691-00 | 1-556-726-21 |
| 6 | (BLK) ... KNOB, POWER | 2-377-801-00 | 2-377-801-11 |
| 8 → 12 | SPRING (A) | 2-377-804-00 | 2-377-819-00 (See page 2.) |
| 8 → 13 | SPRING (B) | 2-377-804-00 | 2-377-820-00 (See page 2.) |
| PT301 | PLATE, CONTACT, BATTERY TERMINAL | 2-377-806-00 | 2-377-817-00 |
| VR301-305 | RES, VAR, SLIDE 20k/20k | 0-731-200-00 | 1-228-933-00 |

GRAPHIC EQUALIZER
SONY®

AUD

3. Add the following parts in the Service Manual on page 9.

| Ref. No. | Part No. | Description |
|----------|--------------|--|
| 14 | 7-685-136-14 | (GRY) ... SCREW +P2.6 x 12 TYPE2 NIN-SLIT |
| 14 | 7-685-136-19 | (BLK) ... SCREW +P2.6 x 12 TYPE2 NIN-SLIT |



1. Gray type has been added.
Add the following parts in the Service Manual on page 9.

No. 1
May, 1984

| Ref. No. | Description | Former Part No. | New Part No. |
|-----------|----------------------------------|-----------------|---------------------------|
| VR301-302 | RES, VAR, SLIDE 20K/20K | 0-731-200-00 | 1-228-933-00 |
| PT301 | PLATE, CONTACT, BATTERY TERMINAL | 2-377-806-00 | 2-377-817-00 |
| 8-13 | SPRING (B) | 2-377-804-00 | 2-377-820-00 (See page 2) |
| 8-12 | SPRING (A) | 2-377-804-00 | 2-377-819-00 (See page 2) |
| 6 | (BLK) ... KNOB, POWER | 2-377-801-00 | 2-377-801-11 |
| 2 | (BLK) ... CORD (WITH PLUG) | 1-222-921-00 | 1-226-726-21 |