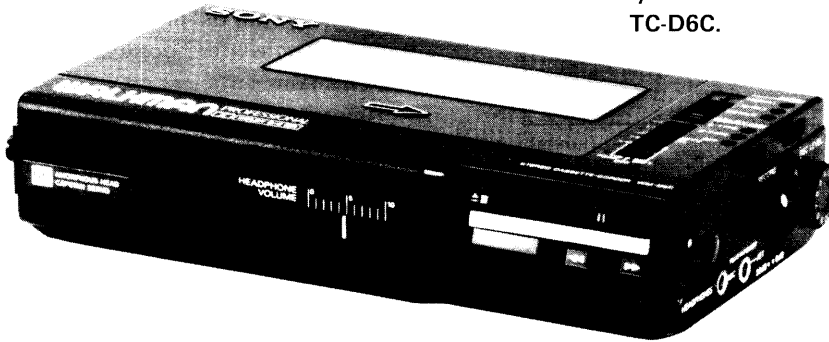


WM-D6C/TC-D6C

SERVICE MANUAL

Ver 1.1 2001.06



'Dolby' and the double-D symbol are the trade marks of Dolby Laboratories Licensing Corporation. Noise reduction system manufactured under license from Dolby Laboratories Licensing Corporation.

- Refer to MDR-40L Service Manual issued previously for information of headphones supplied with WM-D6C.
- Refer to ECM-939LT Service Manual issued previously for information of headphones supplied with TC-D6C.

WM-D6C:
US Model
Canadian Model
AEP Model
UK Model
E Model

TC-D6C:
US Model

SPECIFICATIONS

Recording System: 4-track, 2-channel stereo

Wow and Flutter: $\pm 0.14\%$ (DIN)
 0.04% WRMS (NAB)

Tape Speed Deviation: $\pm 0.3\%$ (speed tuning OFF)

Speed Tuner Variations: Approx. $\pm 4\%$

Frequency Response: DOLBY NR OFF

- With TYPE IV cassette (Sony METALLIC)
 40 – 15,000 Hz ± 3 dB
- With TYPE II cassette (Sony UCX)
 40 – 15,000 Hz ± 3 dB
- With TYPE I cassette (Sony BHF or HFX)
 40 – 15,000 Hz ± 3 dB

S/N (NAB, at peak level): DOLBY NR C

- TYPE IV cassette (Sony METALLIC) 71 dB
- TYPE II cassette (Sony UCX) 71 dB
- TYPE I cassette (Sony BHF or HFX) 67 dB

DOLBY NR B

- TYPE IV cassette (Sony METALLIC) 65 dB
- TYPE II cassette (Sony UCX) 65 dB
- TYPE I cassette (Sony BHF or HFX) 61 dB

DOLBY NR OFF

- TYPE IV cassette (Sony METALLIC) 58 dB
- TYPE II cassette (Sony UCX) 58 dB
- TYPE I cassette (Sony BHF or HFX) 54 dB

Total Harmonic Distorsion: 0.9% with Sony METALLIC

Inputs: MIC (PLUG IN POWER)
 (stereo minijack) x 1
 0.25 mV (-70 dB) with low impedance microphone
 LINE IN (stereo minijack) x 1
 77.5 mV (-20 dB) (47 kilohms)

Tape Transport Mechanism Type	MT-D6C-20
-------------------------------	-----------

Outputs: LINE OUT (stereo minijack) x 1
 output level 0.25 V (-10 dB) (less than 4.7 kilohms)
 Headphones (stereo minijack) x 1
 load impedance 8 – 300 ohms

Power Output: Headphones
 30 mW + 30 mW (at 10% harmonic distortion)
 load impedance 32 ohms

Battery Life: See page 2.

Power Requirements: 6 V dc, four batteries, IEC designation R6 (size AA)
 BP-23 battery pack (optional)
 External power input jack (required power 6 V dc) accepts Sony ac power adaptor (optional) listed on page 2 for use on appropriate ac power, or Sony DCC-127A car battery cord (optional) for use on 12 V car battery

Dimensions: 181 x 40 x 95 mm (w/h/d)
 (7 $\frac{1}{4}$ x 1 $\frac{5}{8}$ x 3 $\frac{3}{4}$ inches) including projecting parts

Weight: Approx. 640 g (1 lb 7 oz) including batteries

0 dB = 0.775 V

STEREO CASSETTE-CORDER
SONY[®]

9-951-385-12
 2001F0500-1
 © 2001.6

Sony Corporation
 Personal Audio Company
 Shinagawa Tec Service Manual Production Group



Battery life

type of cassette batteries	continuous recording		continuous playback
	TYPE IV (Sony METALLIC)	TYPE I (Sony BHF, HFX)	TYPE I, IV (Sony BHF, HFX, METALLIC)
Sony Eveready AM3 alkaline batteries	4	5	6
Sony SUM-3(NS) New Super batteries	2	2.5	3

(hours)

OTHER POWER SOURCES

HOUSE CURRENT

Use the appropriate ac power adaptor listed below, available in the countries where the set is used.

First connect the adaptor to DC IN 6 V jack, and then to a wall outlet.

Before connecting, be sure to read the instruction manual for the adaptor.

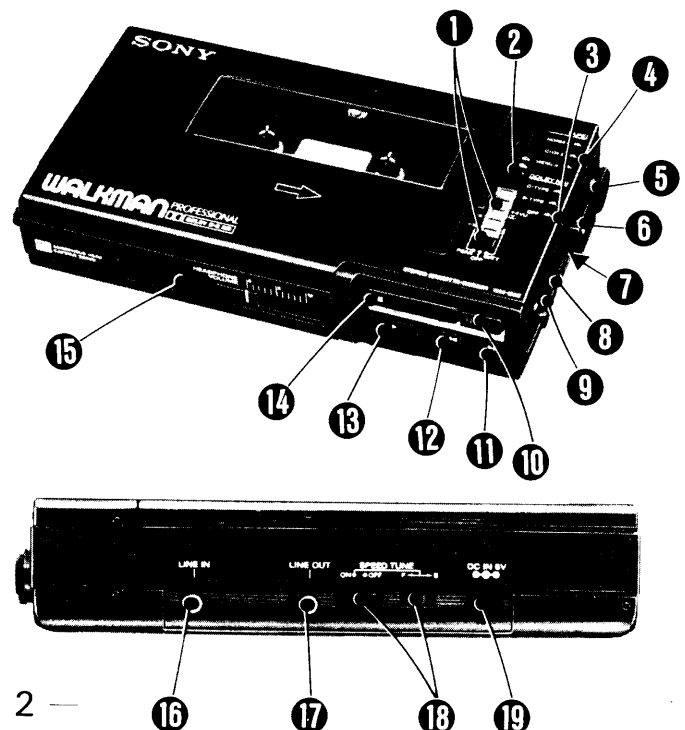
location	ac power adaptor	input voltage of adaptor
AEP	AC-66	220 V ac, 50 Hz
	AC-456C	110 or 220 V ac adjustable, 50 Hz
UK	AC-15A	240 V ac, 50 Hz
Canadian	AC-9	120 V ac, 60 Hz
E	AC-4A	110, 120, 220 or 240 V ac adjustable, 50/60 Hz
US	AC-9W	120 V ac, 60 Hz

FEATURES

- **Quartz lock capstan servo system** assures accurate and stable tape speed.
- In addition to the conventional B-type Dolby* NR system, the WM-D6C or TC-D6C employs the **C-type Dolby NR system** which reduces tape noise twice as effectively as the B-type system.
- **Speed control** adjusts the tape speed accurately (approx. $\pm 4\%$) in the playback mode.
- **DC-DC converter** boosts the low voltage of DC 6V and maintains sufficient power.
- **Amorphous head** for recording/playback provides a wider dynamic range and a more extended frequency response.
- **Tape selector** for optimum recording with standard tapes as well as high-performance tapes.
- **Microphone attenuator** eliminates the distortion which may be caused by high-level input signal.
- **MIC (PLUG IN POWER) jack** can supply power to an ECM-102 electret condenser stereo microphone (optional).
- **Four different power sources:** batteries, house current, rechargeable battery pack, and 12V car battery.
- **5-LED peak/battery indicator** shows both the peak level and the battery strength.
- **Stereo minijacks** can be used for connecting to audio components.

PARTS IDENTIFICATION

- 1 Peak/battery indicator and indication selector
- 2 Tape counter and reset button
- 3 DOLBY NR selector
- 4 TAPE selector
- 5 REC LEVEL (recording level) control
- 6 ● RECORD button
- 7 MIC ATT (microphone attenuator) switch
- 8 MIC (PLUG IN POWER) jack (stereo minijack)
- 9 HEADPHONES jack
- 10 ■ (pause) button
- 11 ►► (fast forward) CUE button
- 12 ◄◄ (rewind) REVIEW button
- 13 ► PLAY (playback) button
- 14 ▲■ (eject/stop) button
- 15 HEADPHONE VOLUME control
- 16 LINE IN jack
- 17 LINE OUT jack
- 18 SPEED TUNE selector and control
- 19 DC IN 6 V jack

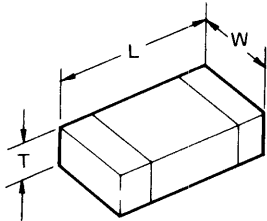


Chip components

Chip components include resistors, capacitors, transistors, diodes, coil and adjustable resistors.

In this section, the types of resistors, ceramic capacitors, transistors and diodes which are used most frequently will be described.

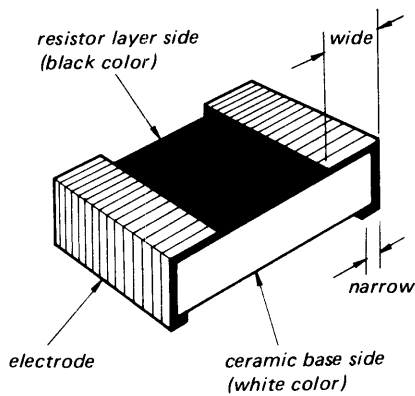
Dimension of transistors and capacitors



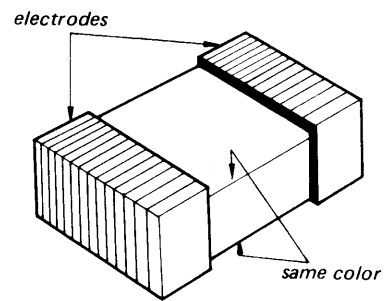
(Unit: mm)

Type	L	W	T
3216	3.2	1.6	0.45 ~ 0.6
2125	2.0	1.25	0.35 ~ 0.5

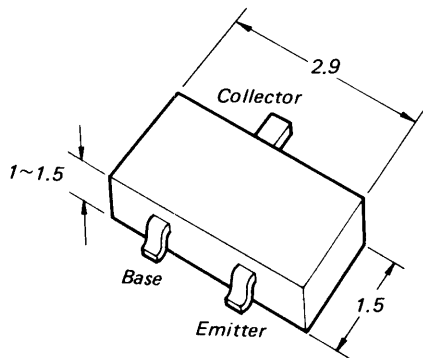
Identification



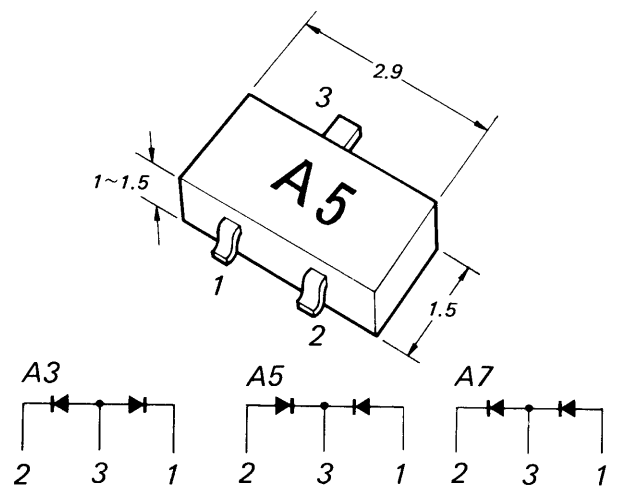
Resistor



Laminated Ceramic Capacitor



Transistor



Diode

Replacing chip components

All chip components should be connected and disconnected, using a tapered soldering iron [temperature of the iron tip: less than 280°C (536°F)], a pair of tweezers and braided wire.

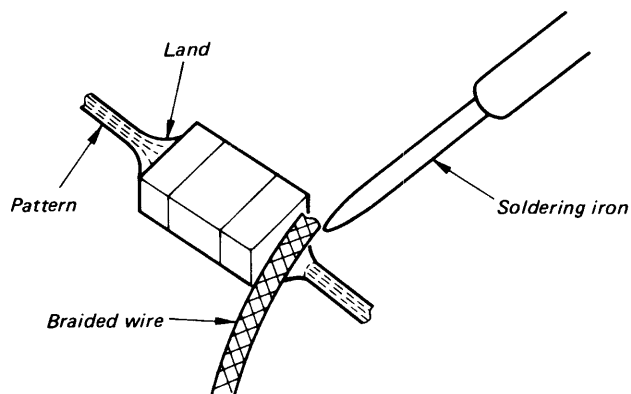
Precautions for replacement

1. Do not disconnect the chip component forcefully. Otherwise, the pattern may peel off.
2. Never re-use a disconnected chip component. Dispose of all old chip components.
3. To protect the chip component, heating time for attaching the component should be within 3 seconds.

○ Removing chip components

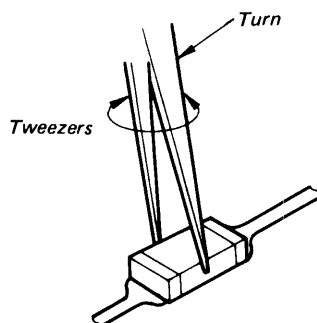
(1) Removing solder at electrode

Remove the solder at the electrode, using a thin braided wire. Do not remove the solder of the part (chip component) attached adjacent to the electrode.



(2) Disconnecting chip components

Turn the tweezers with the soldering iron alternately applied to both electrodes, and the chip component will be disconnected. Take careful precautions while disconnecting, because if the chip component is forcefully removed the land may peel off. Never re-use a disconnected chip component.



(3) Smoothing the soldered surface

After disconnecting the chip component, remove the solder by using a braided wire to smooth the land surface.

○ Connecting chip components

The value of chip components is not displayed on the main body. Take due precautions to avoid mixing new chip components with other ones.

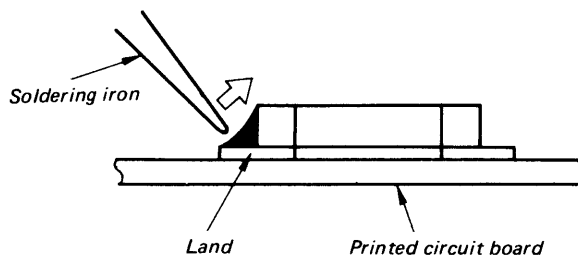
(1) Applying solder to land on one side

Apply a thin layer of solder to the land on one side where the chip component is to be connected. Too much solder may cause bridging.



(2) Speedy soldering

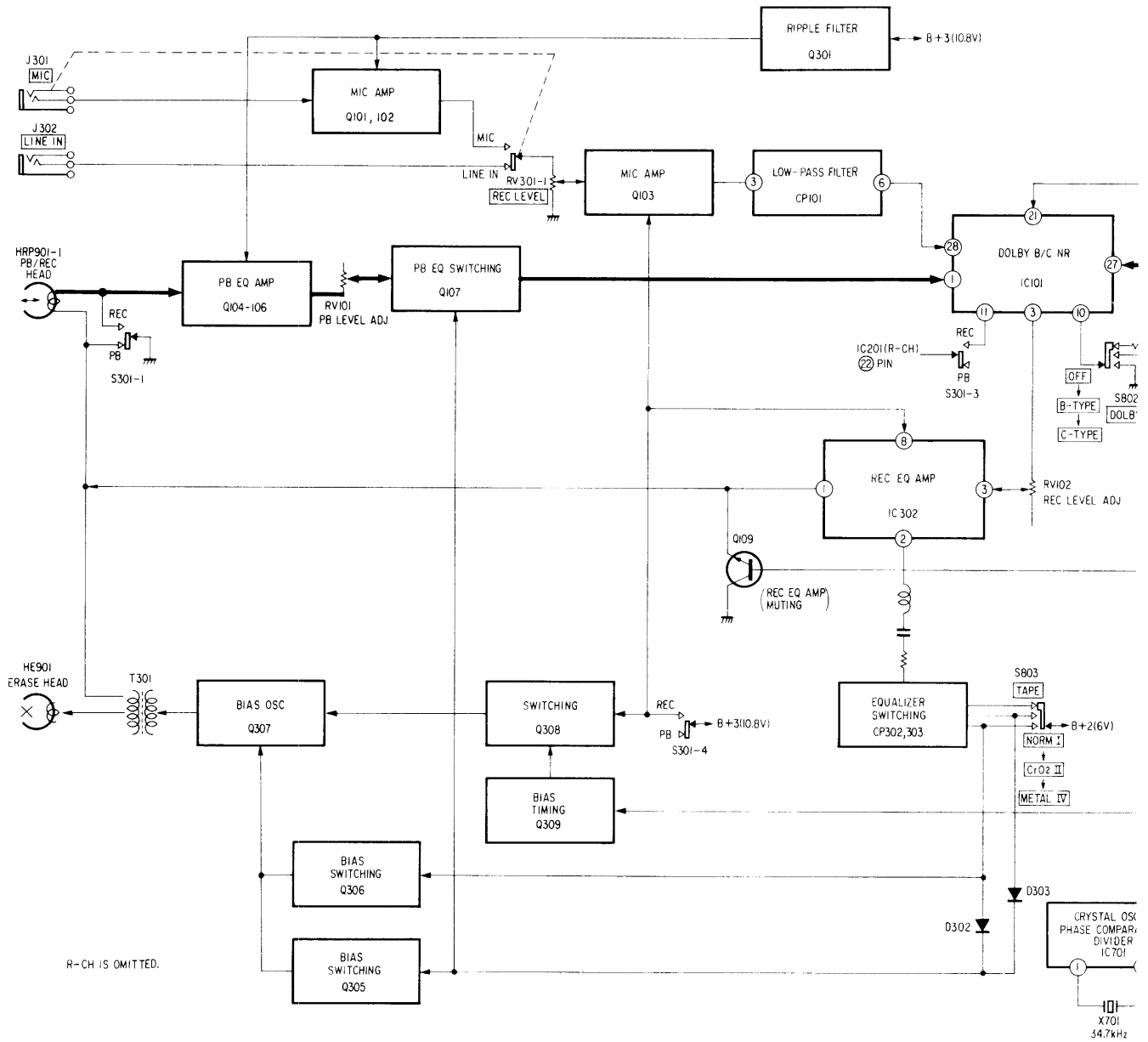
Hold the chip component at the desired position, using tweezers, and apply the soldering iron in the arrow-marked direction. To protect the chip component, heating time should be within 3 seconds.



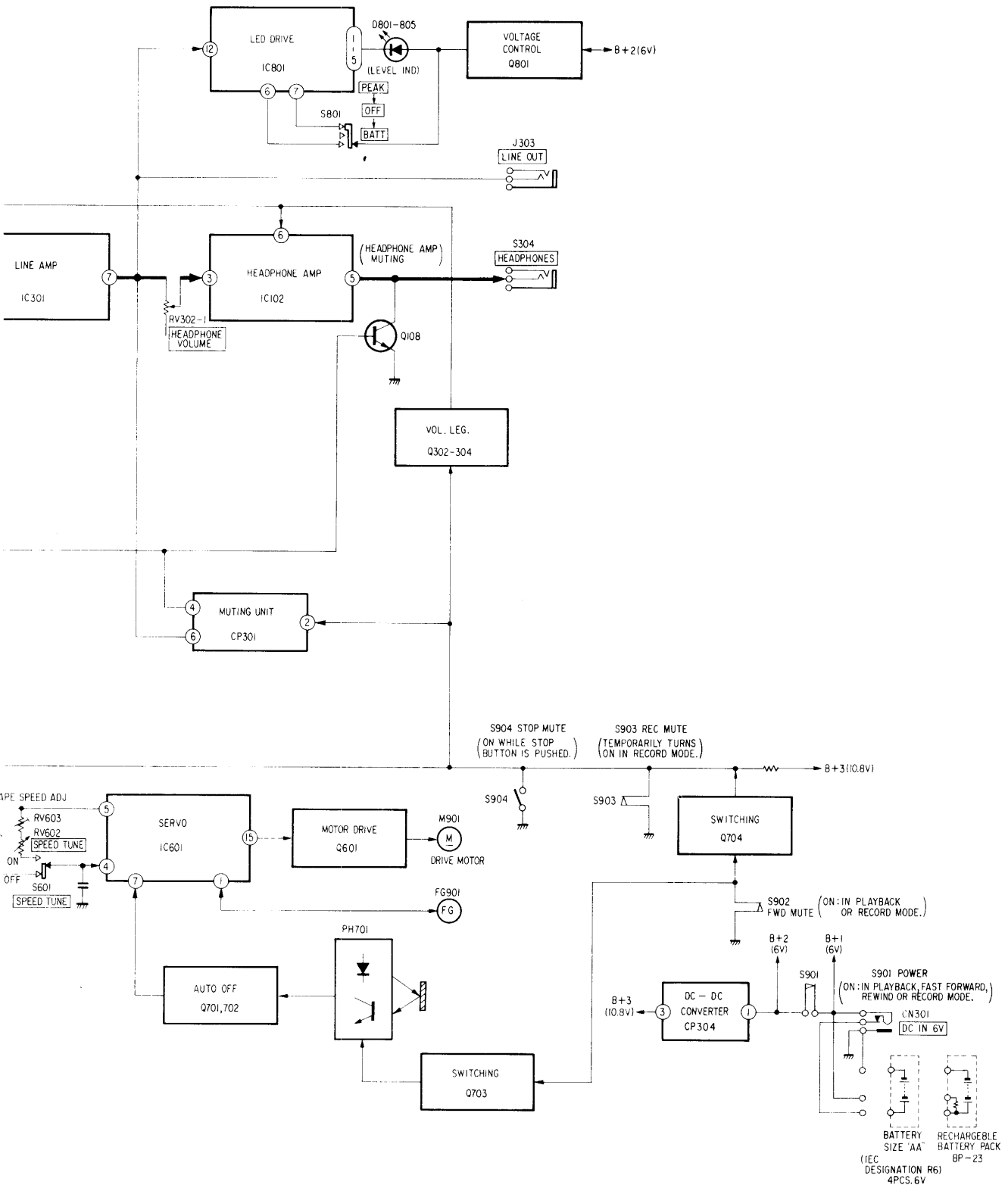
(3) Speedy soldering of electrode on the other side

Solder the electrode on the other side in the same way as in (2) above.

SECTION 1
BLOCK DIAGRAM

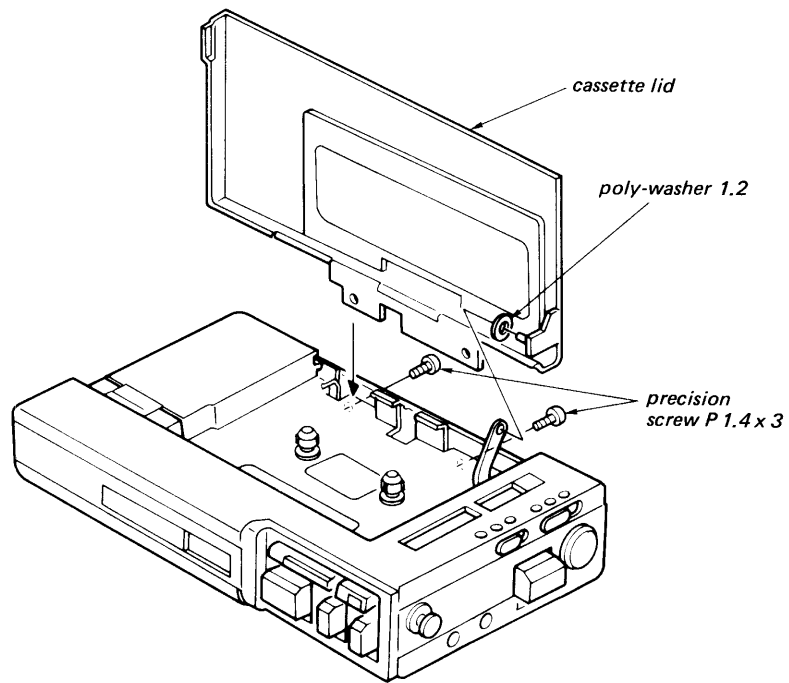


WM-D6C/TC-D6C

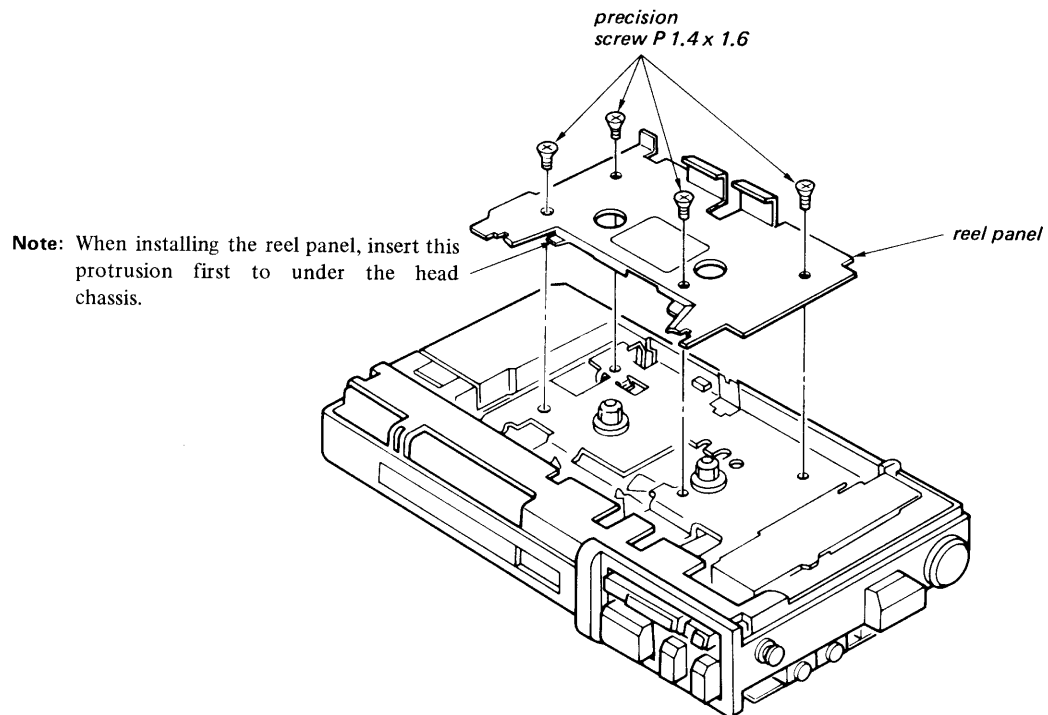


SECTION 2
DISASSEMBLY

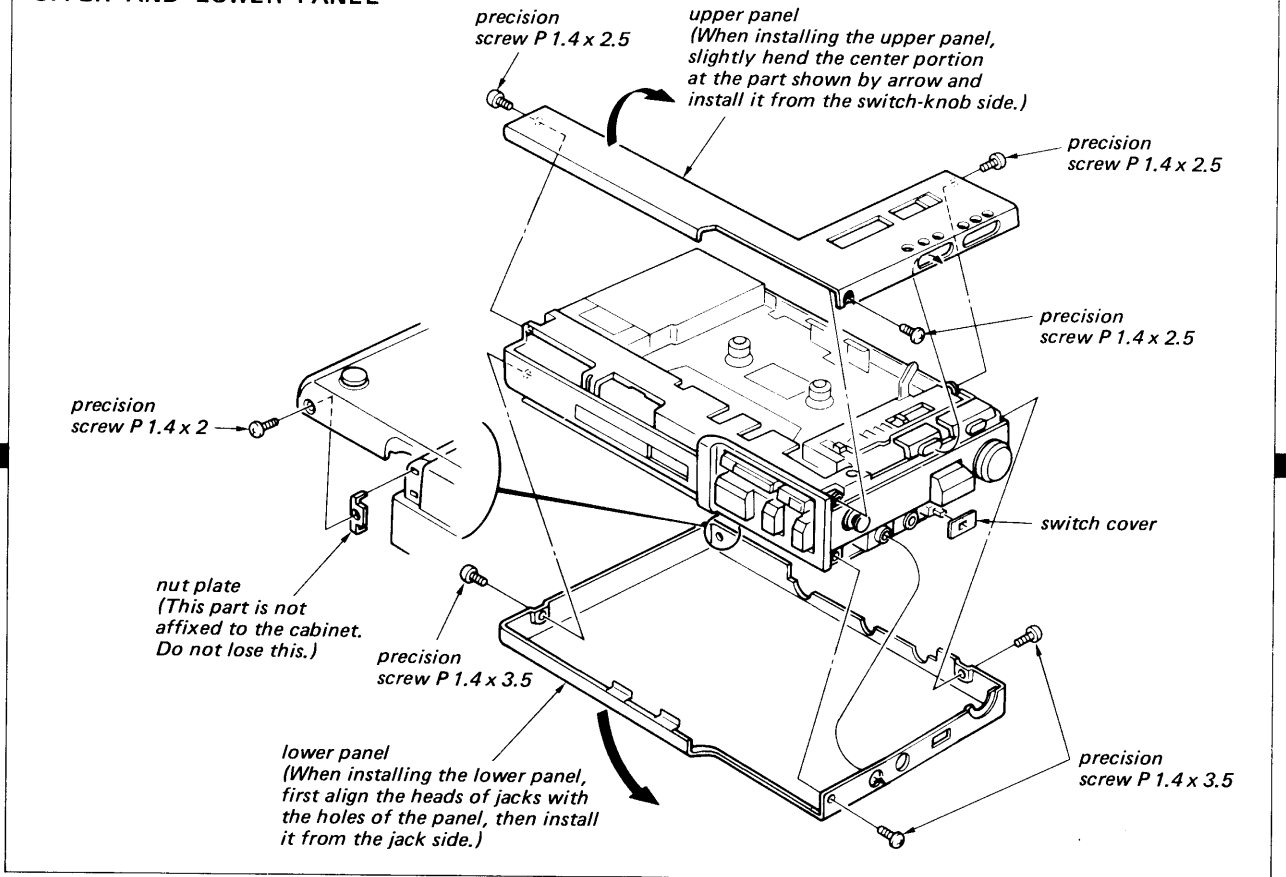
CASSETTE LID



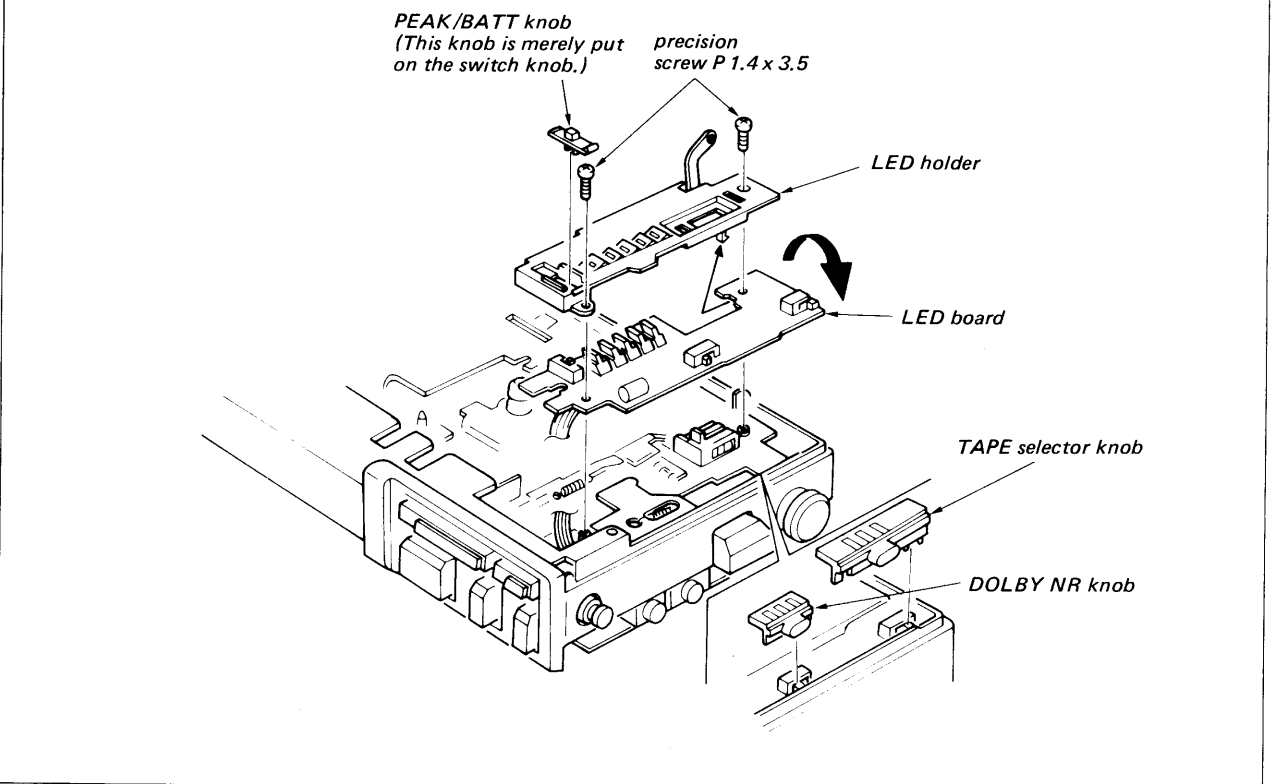
REEL PANEL



UPPER AND LOWER PANEL

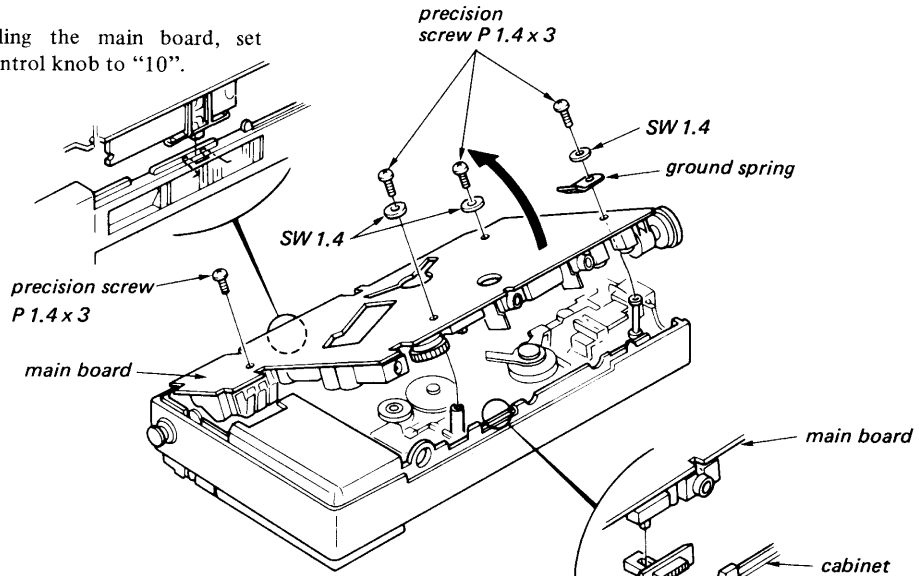


LED HOLDER AND LED BOARD



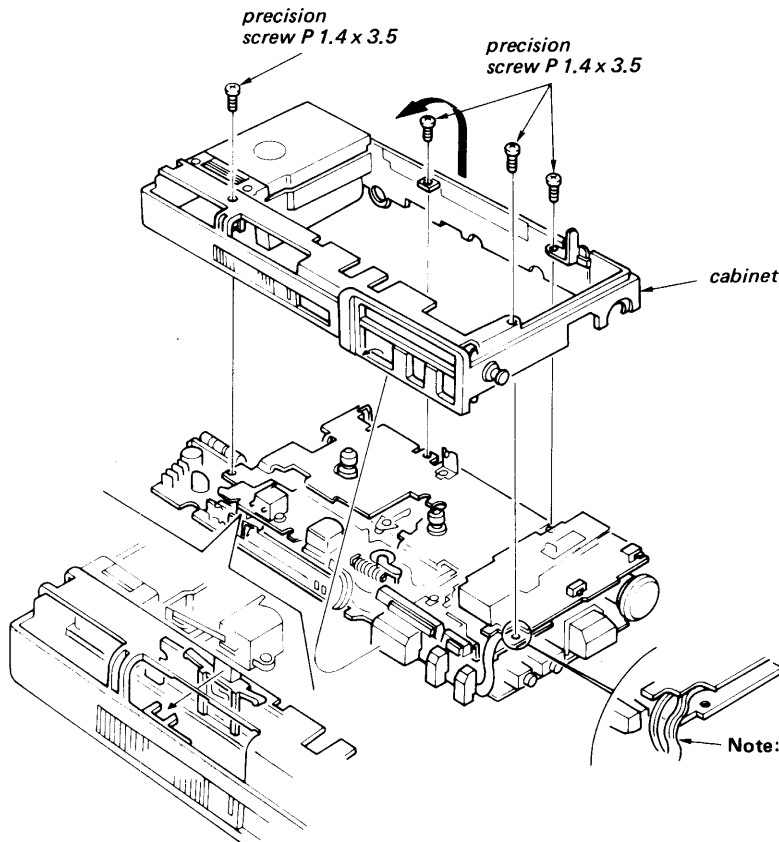
MAIN BOARD

Note: When installing the main board, set VOLUME control knob to "10".



Note: When installing the main board, slightly open the main board and preparatory install SPEED TUNE knob on the slide switch knob, then completely install the main board to the cabinet with groove of SPEED TUNE knob properly set on the edge of the cabinet. And check that the knob smoothly moves and the switch securely operates.

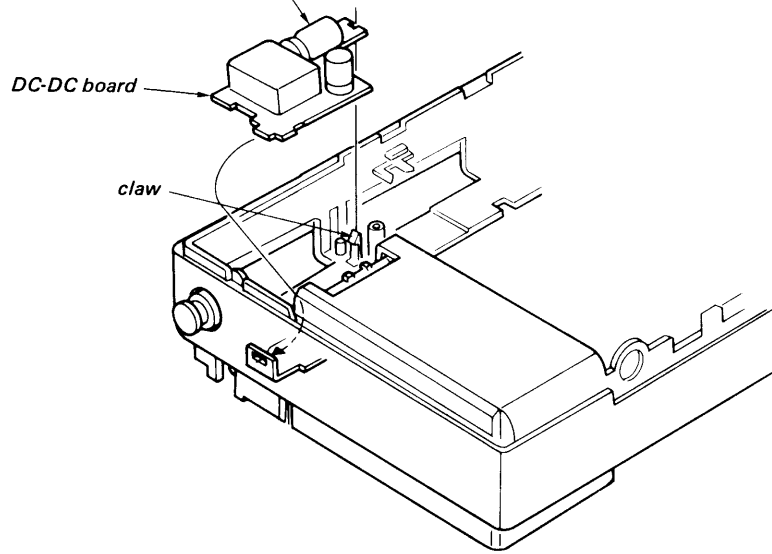
CABINET



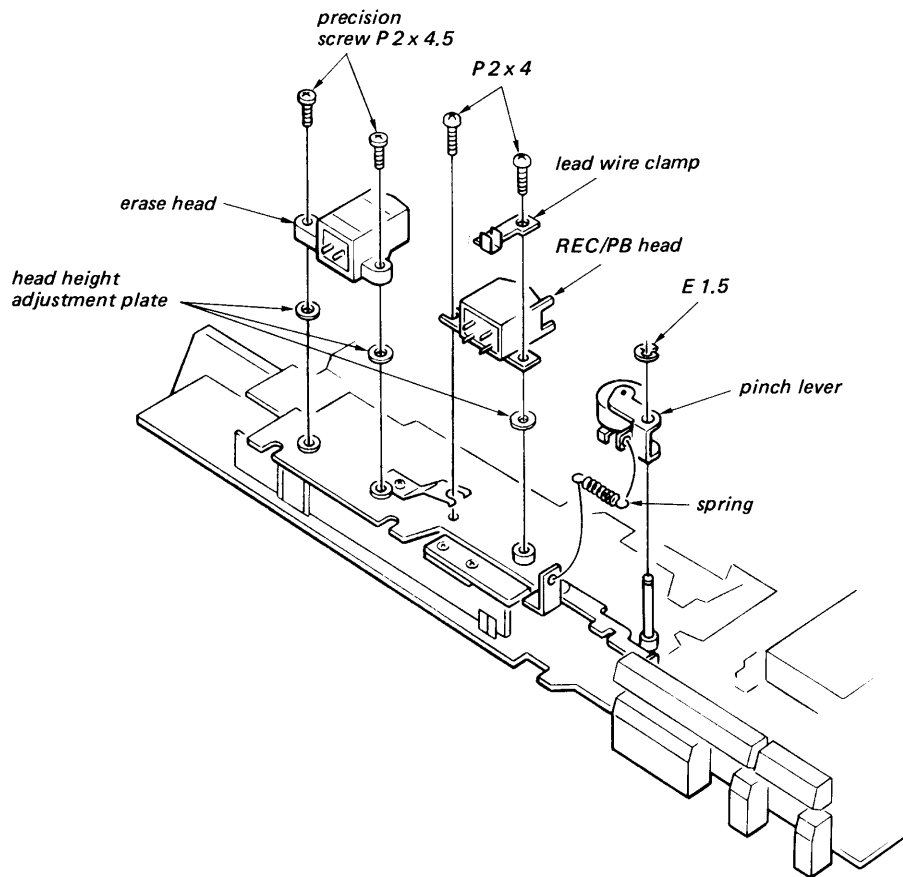
Note: When installing the cabinet, dress lead wires from the LED board to inside so they are not damaged by the boss of the cabinet.

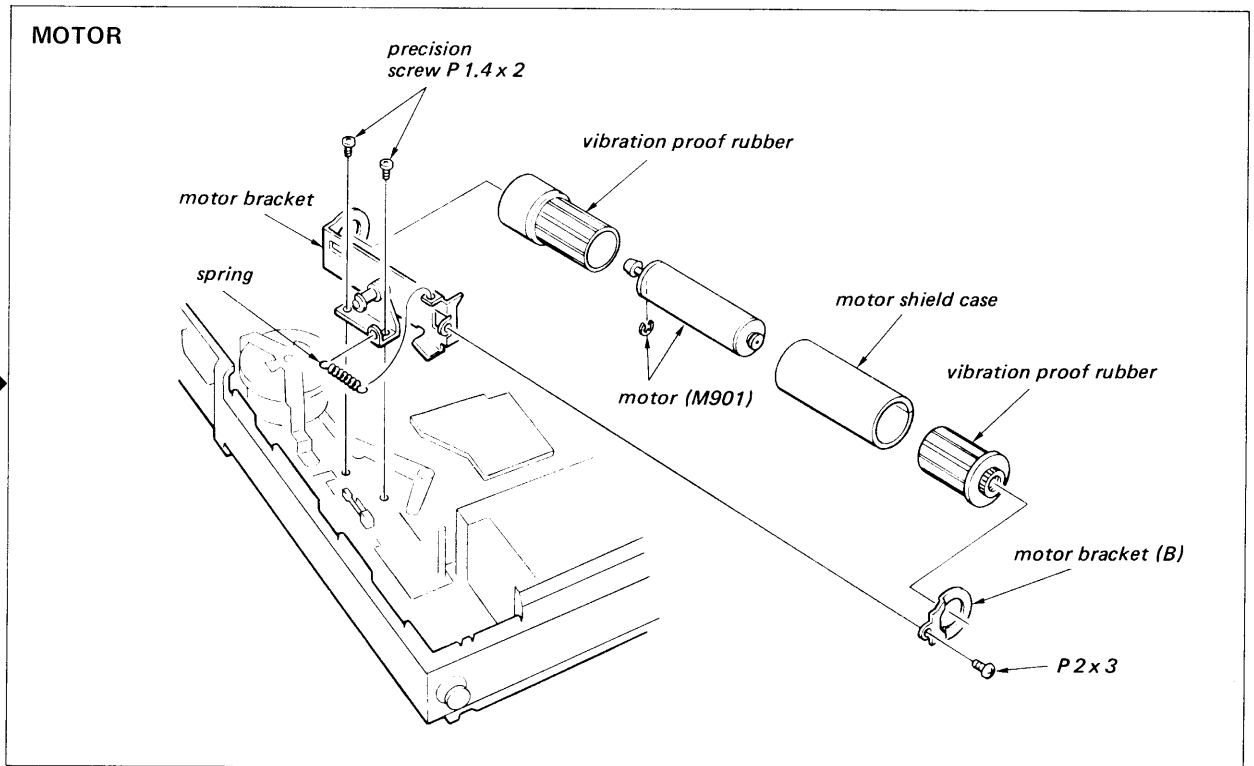
DC-DC BOARD

Note: When C316 is replaced, bend its lead diagonally and lay it on the DC-DC board not to touch components on the main board.



REC/PB, ERASE HEAD AND PINCH LEVER





GENERAL NOTES ON SERVICING

Secure the lead wires and shielded wires to the main board with sections of adhesive tapes as shown below, otherwise proper operation of the unit may be degraded.



**SECTION 3
ADJUSTMENTS**

3-1. MECHANICAL ADJUSTMENTS AND MEASUREMENTS

PRECAUTION

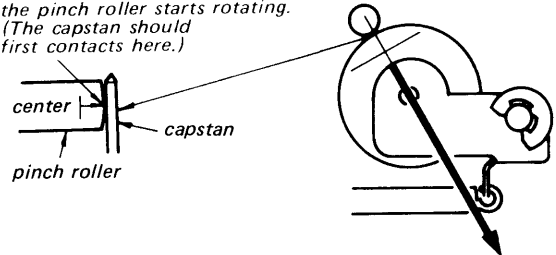
1. Clean the following parts with a denatured-alcohol-moistened swab:

record/playback head	pinch roller
erase head	rubber belts
capstan	idlers
2. Demagnetize the record/playback and erase head with a head demagnetizer.
3. Do not use a magnetized screwdriver for the adjustments.
4. After the adjustments, apply suitable locking compound to the parts adjusted.
5. The adjustments should be performed with the rated power supply voltage unless otherwise noted.

Pinch Roller Pressure Measurement

— Playback Mode —

② Slowly return the pinch roller and read the spring scale just when the pinch roller starts rotating. (The capstan should first contacts here.)

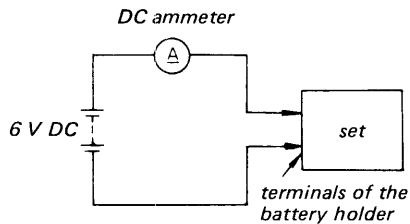


① spring scale

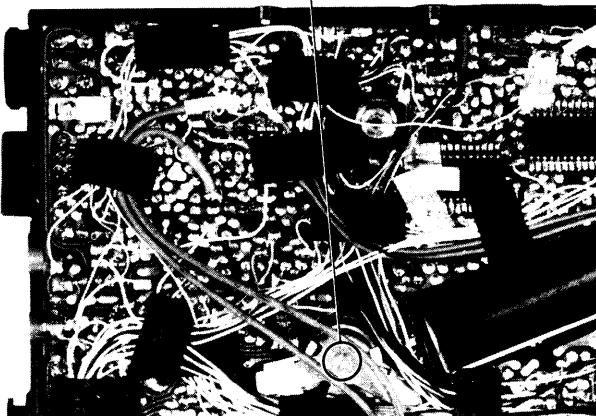
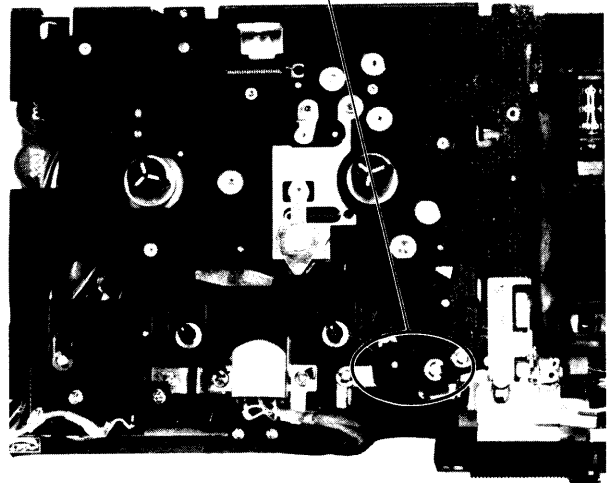
200 – 280 g
(7.05 – 9.88 oz)

Flywheel Thrust Play Adjustment

— Playback Mode —

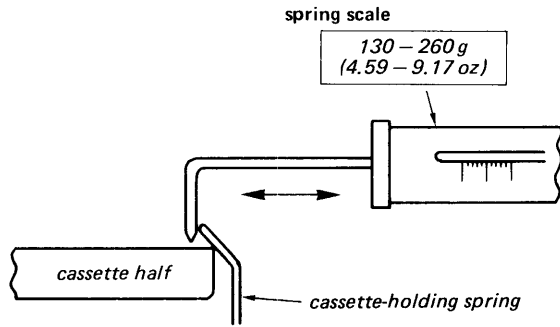


1. Turn the thrust screw counterclockwise until the screw tip leaves from the flywheel shaft.
2. Gradually turn the thrust screw clockwise to the position where the motor current suddenly increases.
3. Then, turn the thrust screw counterclockwise about ¼ turn from the position obtained in step 2.



Cassette-holding Spring Adjustment

1. Pull the spring scale outward until the cassette-holding spring releases from the cassette half.
2. Slowly return the spring scale back to the cassette half until the spring just touches the edge of the cassette half. Read the spring scale at this instant.
3. Adjust the spring by bending back and forth to satisfy the spring scale value.



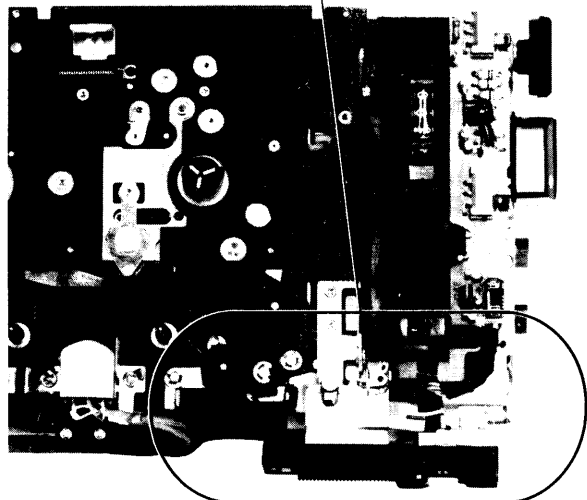
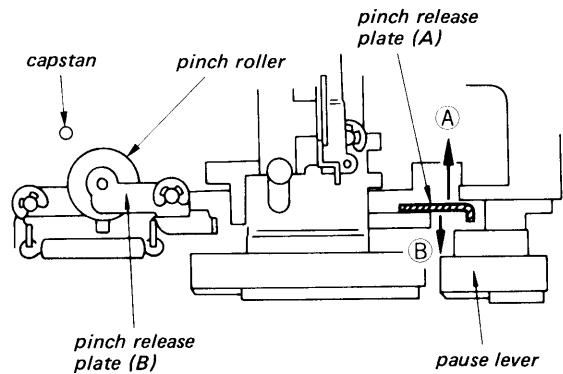
Pause Action Adjustment

1. Insert a cassette tape and put into playback mode.
2. At this time, confirm that the pinch release plate (A) does not touch on the pinch release plate (B) and the pause lever.
3. Check for the lock timing when the pause button is pushed in playback mode.

Lock timing: The tape is stopped without placing in cue mode and is not reversed after the pinch roller is detached from the capstan.

4. When pushing the pause button again to restart the set, make sure that the pinch roller is contact with the capstan after the unit begins to take the tape up without placing in cue mode. Make sure that the take-up reel table does not rotate after the pinch roller is contact with the capstan.

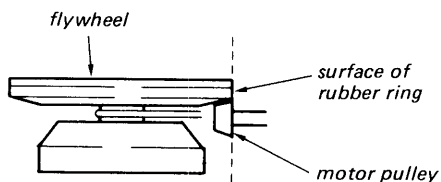
When putting the pause button ON or OFF.	Adjustment of the pinch release plate (A)
In case of CUE mode.	Bend to (A) side.
In case of reversing.	Bend to (B) side.



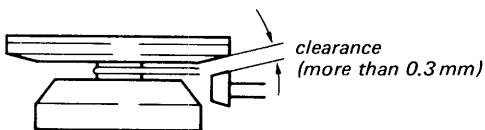
Motor Pressure Measurement

— Playback Mode —

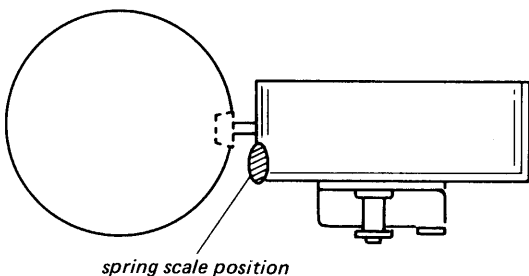
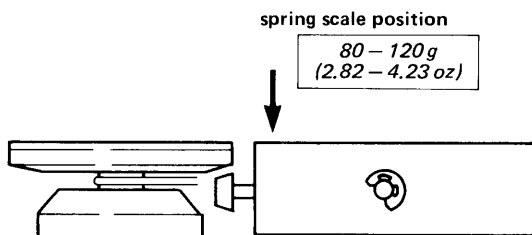
1. The motor pulley's inner edge (large side) should not extend from the edge of the flywheel's rubber ring.



2. When the mode is changed from playback by slowly pressing the stop button, the motor pulley and rubber surface of the flywheel should have clearance.



3. In playback mode, put a spring scale vertically on the edge of the motor bracket as shown below, push the spring scale down vertically until the motor pulley just detaches from the flywheel's rubber ring and read the spring scale at this instance.

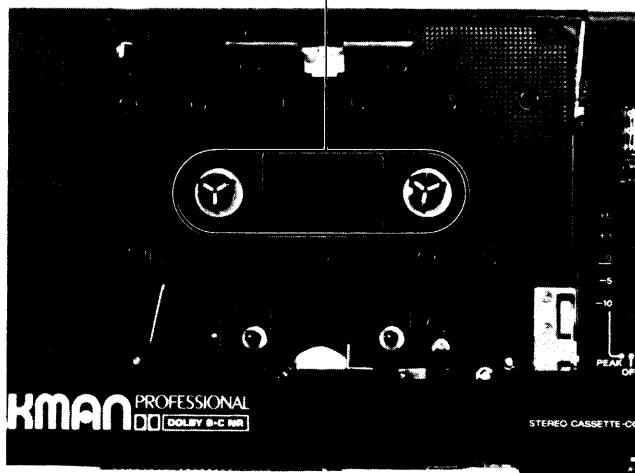


Torque Measurement

Torque	Torque Meter	Meter Reading
FWD	CQ-102C	25 - 43 g·cm (0.35 - 0.6 oz·inch)
Back Tension		1.5 - 3.5 g·cm (0.02 - 0.05 oz·inch)
FF·REW	CQ-201B	more than 75 g·cm (more than 1.04 oz·inch)

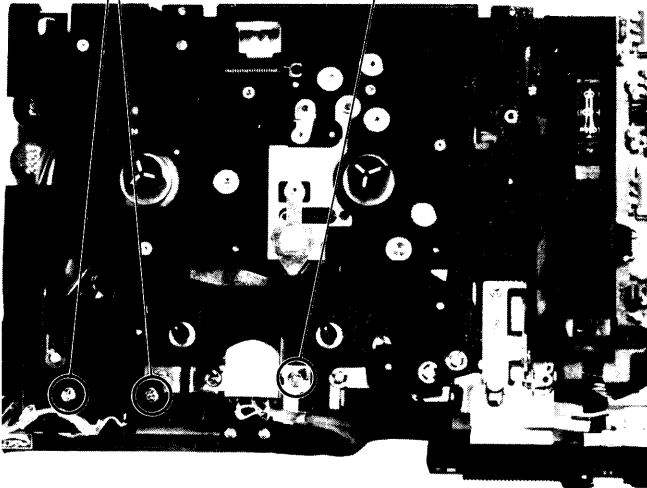
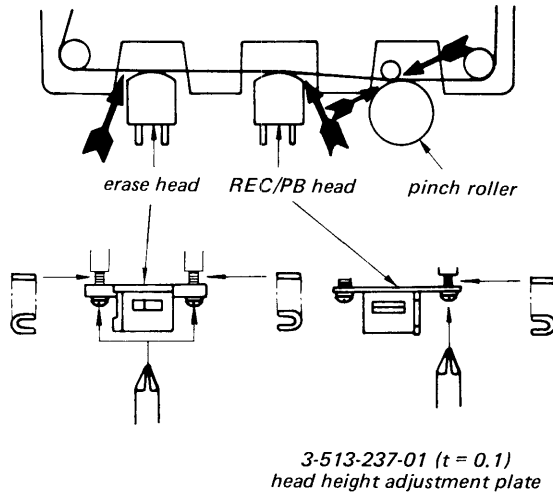
Tape Tension Measurement

Tension Meter	Meter Reading
CQ-403A	more than 65 g (more than 2.29 oz)



Tape Path Adjustment

1. Insert a mirror cassette (CQ-009C).
2. In playback mode and viewing from the front, confirm that there is no tape curl and tape twist at portions shown by arrow.
3. If there is tape curl and tape twist, adjust the head heights by using the adjustment plate.
(Specifically no tape curls should exist at the lower sides of the tape guides.)



3-2. ELECTRICAL ADJUSTMENTS

Note: The adjustment should be performed in the order given in this service manual. The adjustments should be performed for both L-CH and R-CH.

- Set the TAPE switches according to the tape as follows.

Tape	TAPE switch
CS-15	NORM
CS-26	CrO ₂
CS-40	METAL

- Switches and controls should be set as follows unless otherwise specified.

DOLBY NR switch OFF
 TAPE switch NORM
 MIC ATT switch 0 dB
 PEAK/BATT switch PEAK
 SPEED TUNE switch OFF
 SPEED TUNE control center

- Standard Record:

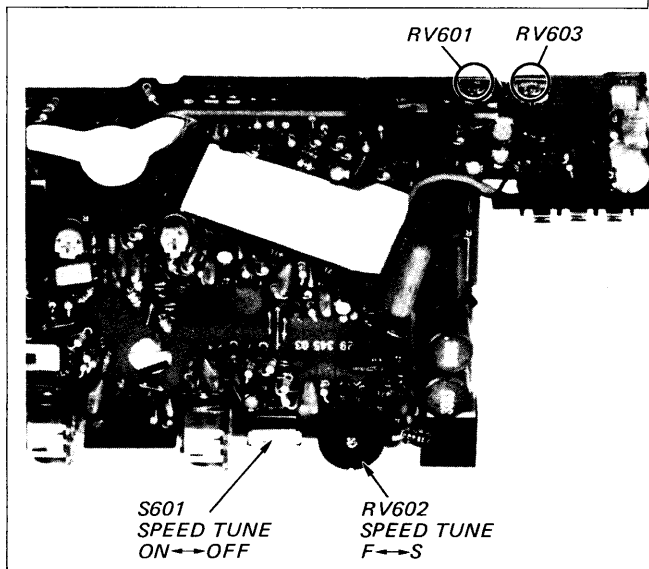
Deliver the standard input signal level to the input jack and set the REC LEVEL control to obtain the standard output signal level.

Standard Input Level

	MIC	LINE IN
source impedance	300Ω	10kΩ
input level	0.77mV (-60dB)	0.25V (-10dB)

Standard Output Level

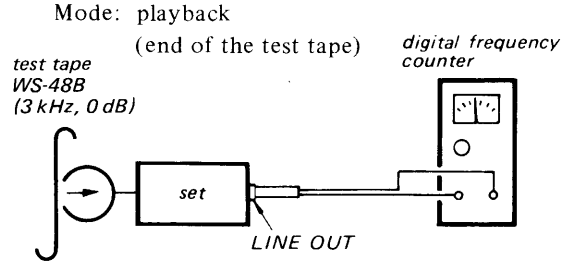
	LINE OUT	HEAD-PHONES
load impedance	47kΩ	32Ω
output level	0.254V (-9.8dB)	0.25V (-10dB)



Tape Speed Adjustment

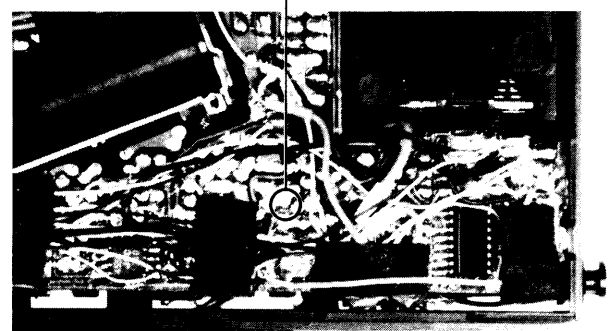
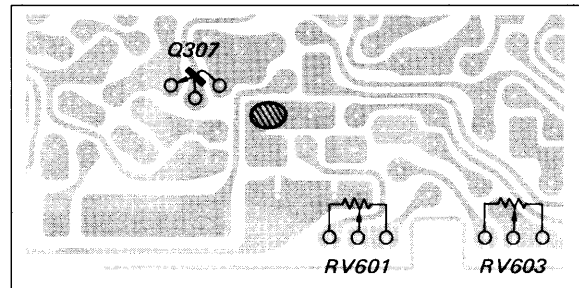
Note: Perform this adjustment after the Record/playback Head Azimuth Adjustment.

Procedure:



- Set SPEED TUNE switch to OFF.
- Unsolder the solder bridge and open the bridged patterns shown below.
- Turn RV601 so that frequency reading becomes in 3,090 Hz ± 10 Hz.
- Resolder the adjustment patterns opened in step 2 above. Now frequency reading should be 3,000 Hz ± 9 Hz.
- Set SPEED TUNE switch to ON, and SPEED TUNE control to its center position.
- Turn RV603 so that frequency reading becomes in 3,000 Hz ± 10 Hz.
- Set SPEED TUNE control to maximum position in "S" direction. Now frequency reading should be below 2,884 Hz.
- Set SPEED TUNE control to maximum stop in "F" direction. Now the frequency should be above 3,120 Hz.
- Set SPEED TUNE control back to center position.

Adjustment Location: - main board -



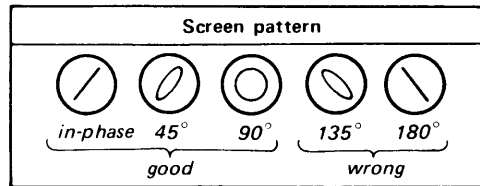
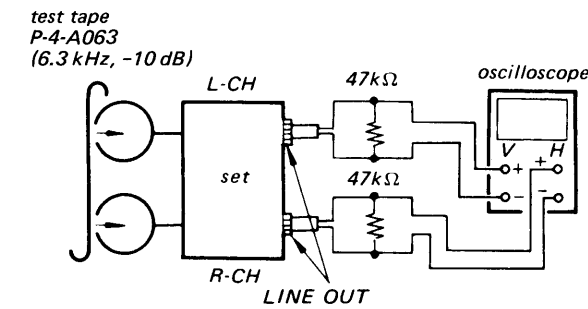
Record/playback Head Azimuth Adjustment

Setting:

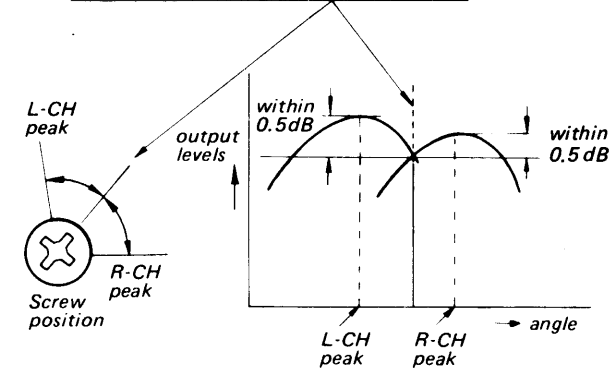
RV101, 201 (playback level): mechanical mid

Procedure:

1. Mode: playback

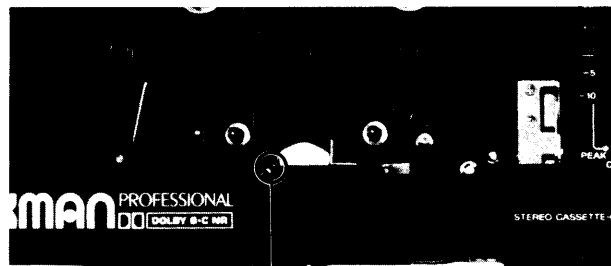


2. Turn the adjustment screw for the maximum output levels. If these levels do not match, turn the adjustment screw until both of output levels match together within 0.5 dB.



3. After adjustment, apply locking compound to the adjusted screw.

Adjustment Location:



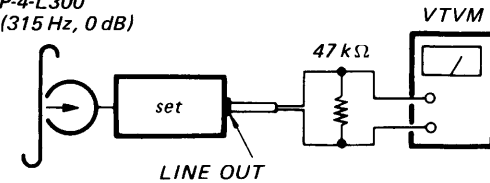
adjustment screw

Playback Level Adjustment

Procedure:

Mode: playback

test tape
P-4-L300
(315 Hz, 0 dB)



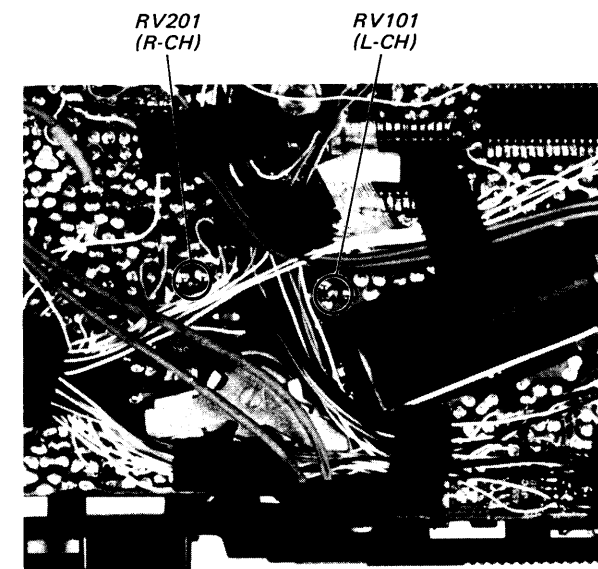
Specification:

LINE OUT level: 0.25 – 0.26 V
(-10 to -9.6 dB)

Check that the LINE OUT level does not change in playback mode while changing the mode from playback to stop several times.

Adjustment Location:

- main board -



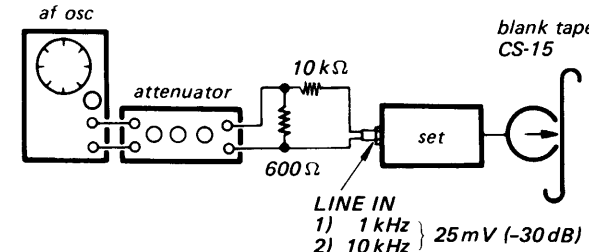
Record Bias Adjustment

Setting:

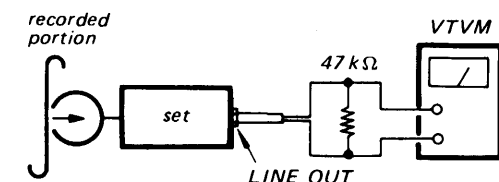
REC LEVEL control: standard record
LINE IN : -10 dB
LINE OUT : -9.8 dB

Procedure:

1. Mode: record



2. Mode: playback



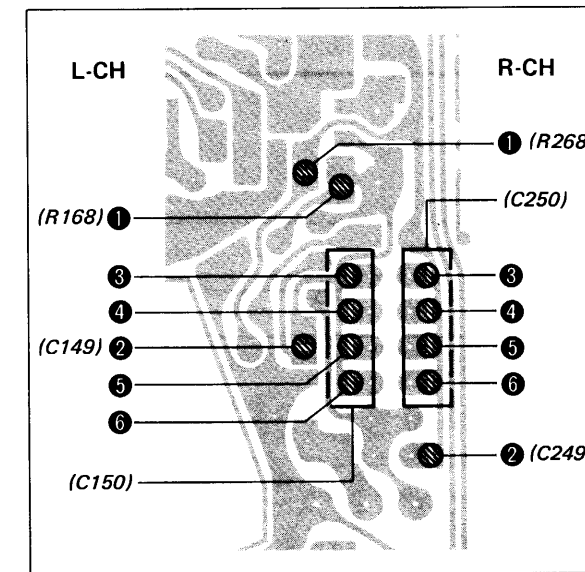
Confirm that the LINE OUT level of 10 kHz signal is 0 ± 0.5 dB relative to that of 1 kHz.

3. If it is not within 0 ± 0.5 dB, change the pattern connection and repeat the steps 1 and 2.

Note: When the conductive patterns ② - ⑥ are connected, and VTVM does not read 0 ± 0.5 dB, disconnect the pattern ①. Repeat the steps 1 - 3.

Adjustment Location:

- main board -



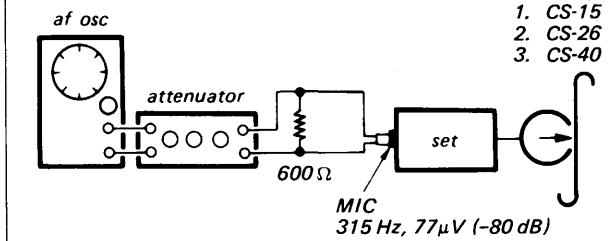
Record Level Adjustment

Setting:

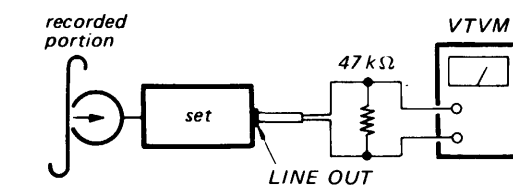
TAPE switch: changes over according as tape type

Procedure:

1. Mode: record



2. Mode: playback



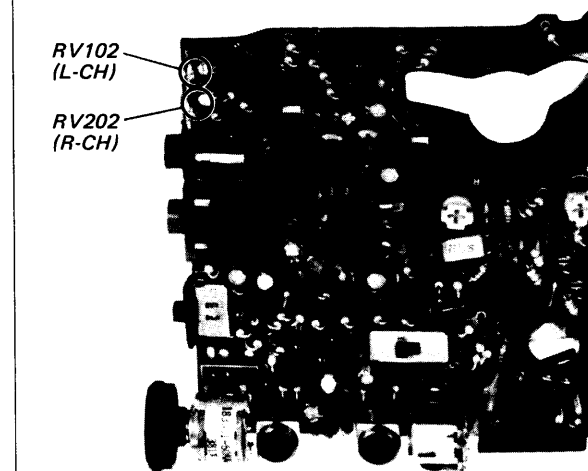
Insert a NORM tape (CS-15) and put into playback mode, adjust RV102 (L-CH) and RV202 (R-CH) to obtain the specified output level. Next, insert a CrO₂ tape (CS-26), METAL tape (CS-40) and put into playback mode, confirm that the output level is specified value.

Specification:

Tape	TAPE switch	Standard Output Level
CS-15	NORM	24 - 26.5 mV (-30.3 to -29.3 dB)
CS-26	CrO ₂	21 - 30 mV
CS-40	METAL	(-31.3 to -28.3 dB)

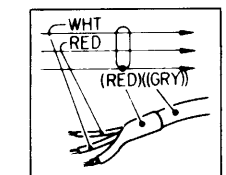
Adjustment Location:

- main board -



Note: FOR MOUNTING DIAGRAM

- Color code of sleeving over the end of the jacket.



- ○ : parts extracted from the component side.
- ● : parts extracted from the conductor side.
- ■ : part mounted on the conductor side.
- ○ : B+ pattern
- → : signal path
- → : L-CH signal path
- → : R-CH signal path

Note: FOR SCHEMATIC DIAGRAM

- Components for right channel have same values as for left channel. Reference numbers are coded from 201.
- All capacitors are in μF unless otherwise noted. pF: μμF
- 50WV or less are not indicated except for electrolytics and tantalums.
- All resistors are in ohms, 1/8 W unless otherwise noted. kΩ : 1000 Ω, MΩ : 1000 kΩ
- → : signal path
- □ : adjustment for repair.
- — : B+ bus.
- Voltages are dc with respect to ground unless otherwise noted.
- Readings are taken under no-signal conditions.
- no mark: playback I: NORM } TAPE switch
- () : record II: CrO₂
- [] : rewind IV: METAL
- < > : fast forward
- (| |) : pause
- Voltage variations may be noted due to normal production tolerances.
- AC voltage readings with a VTVM.
- Total current is measured with no cassette installed.

Note: Voltages are measured with a VOM (50kΩ/V).

SEE ADDITIONAL INFORMATION

WM-D6C/TC-D6C

WM-D6C/TC-D6C

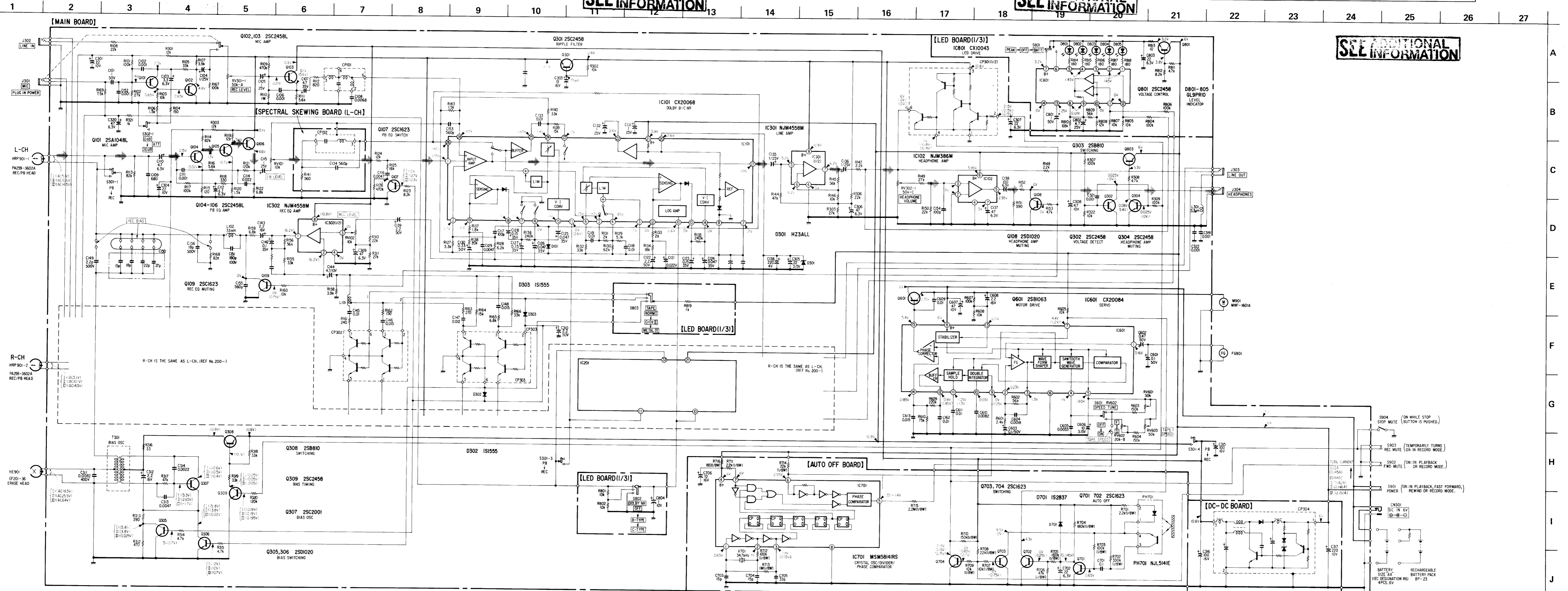
SEE ADDITIONAL INFORMATION

SEE ADDITIONAL INFORMATION

WM-D6C/TC-D6C

WM-D6C/TC-D6C

SEE ADDITIONAL INFORMATION

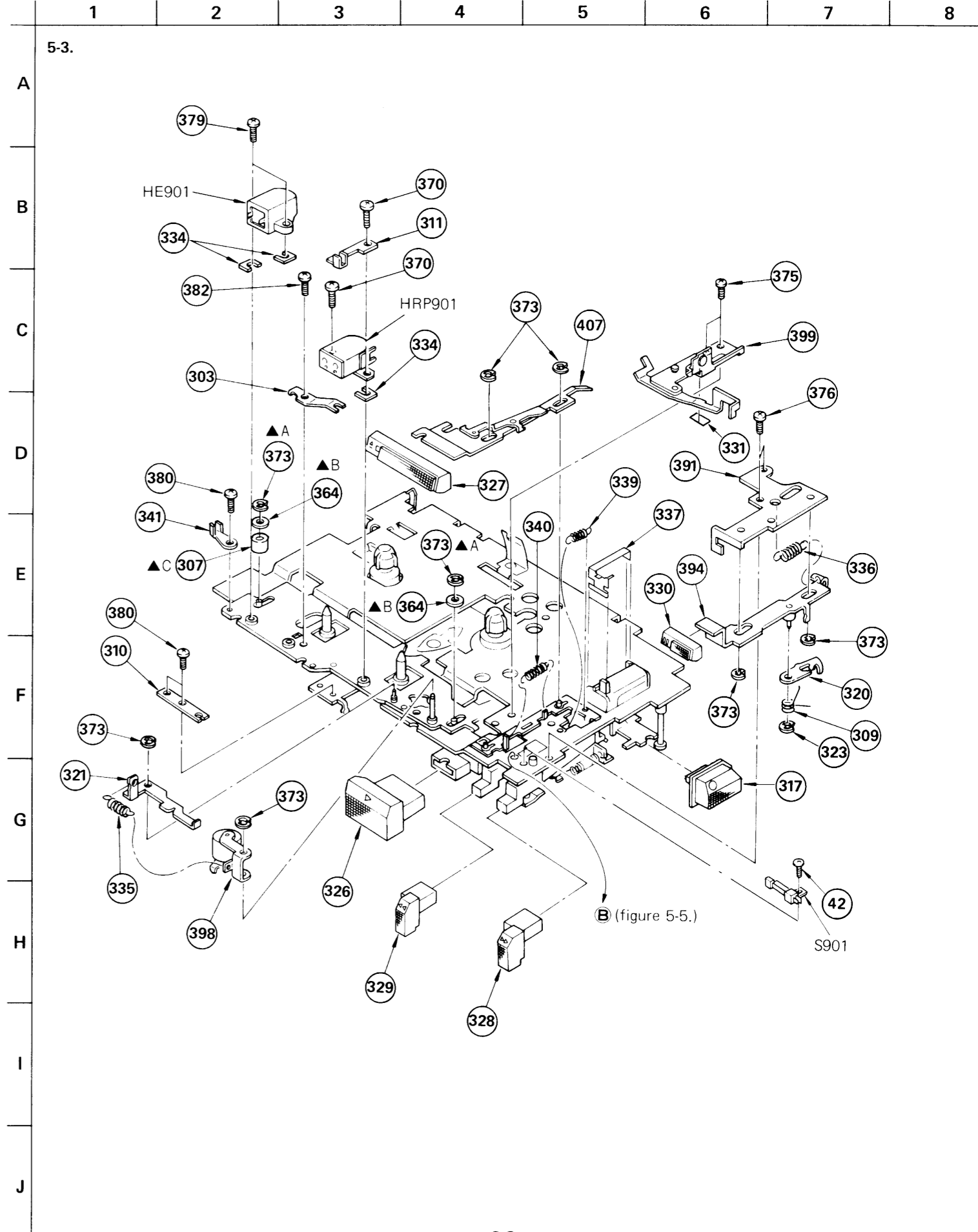
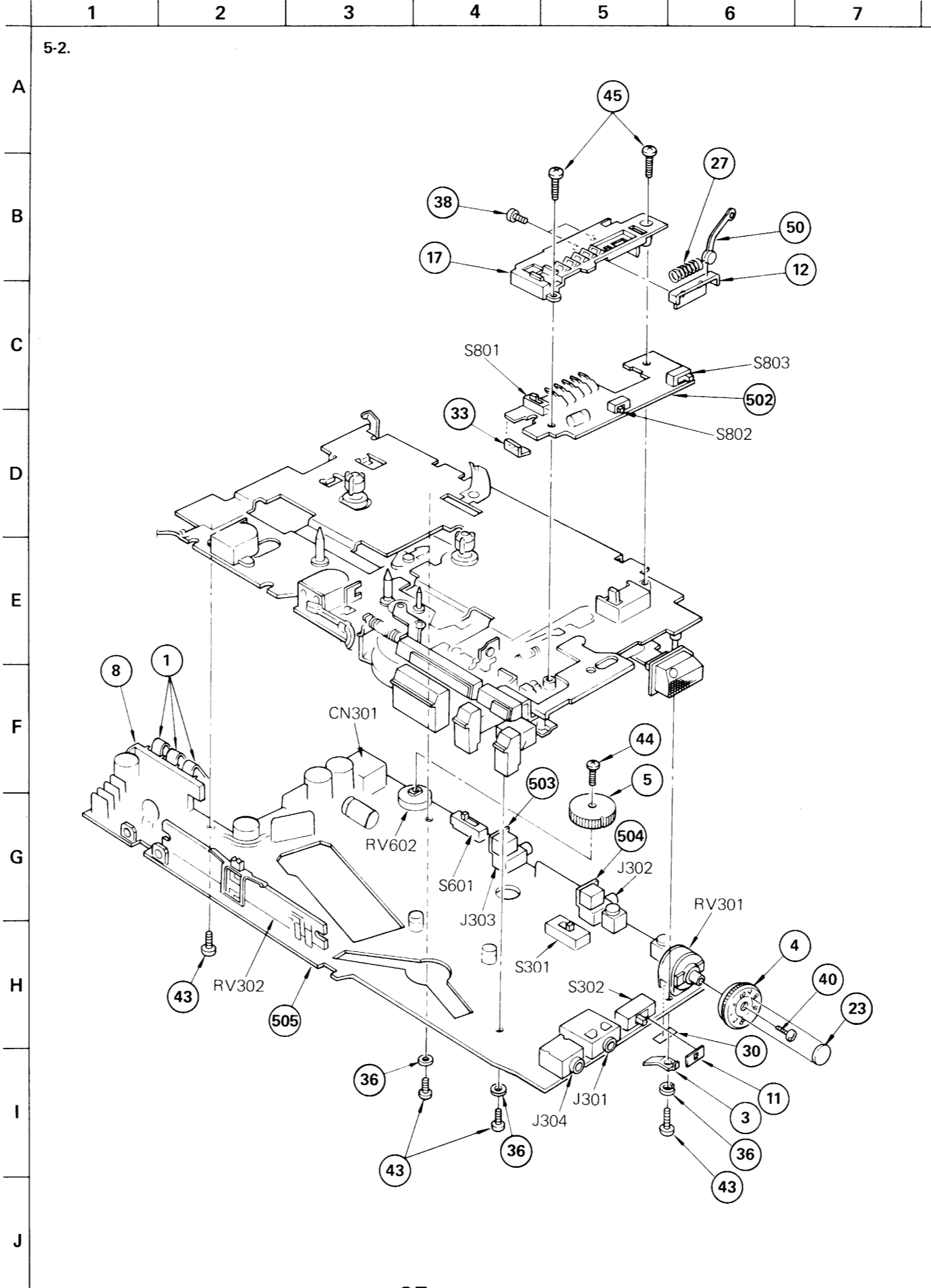
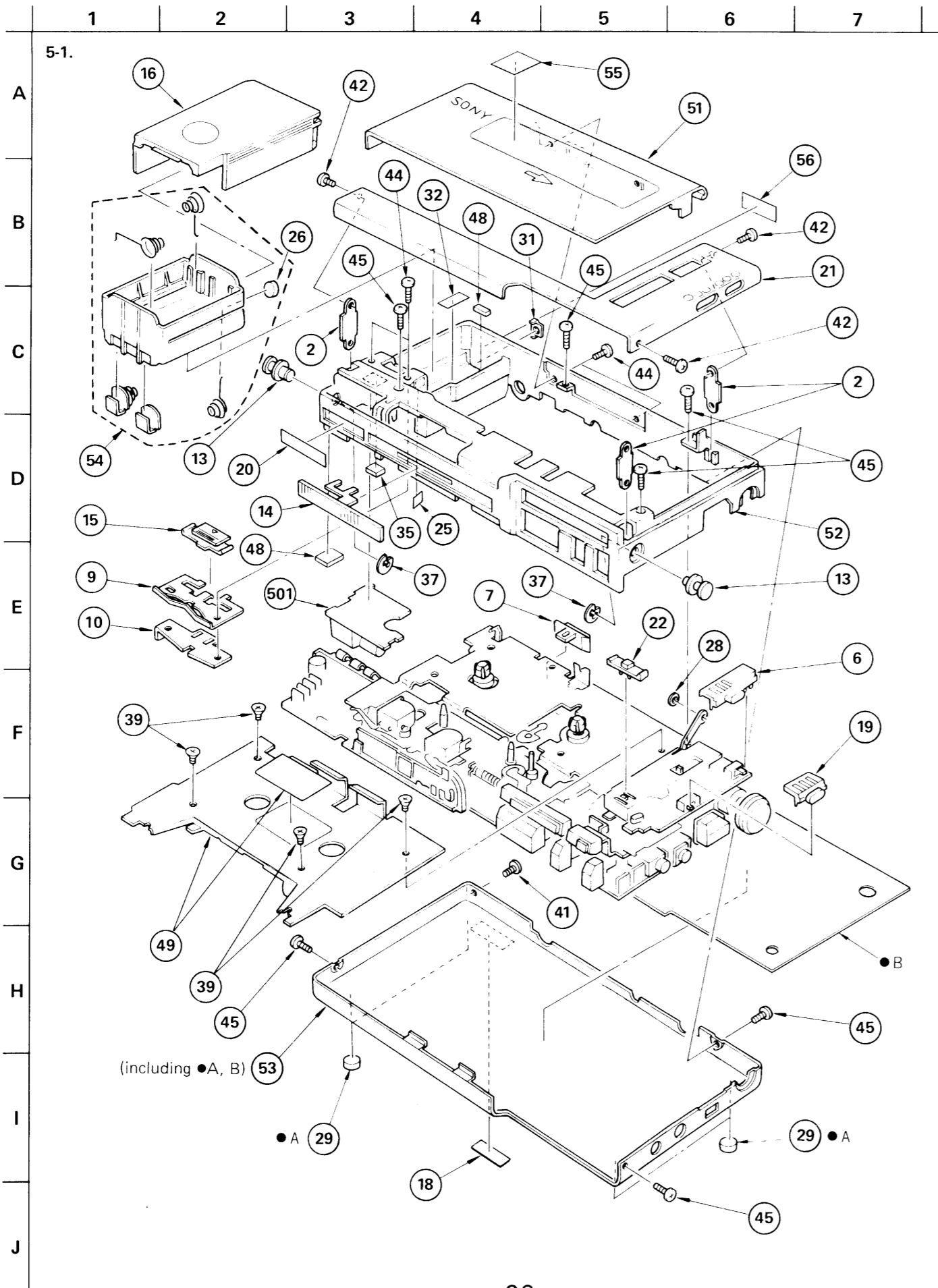
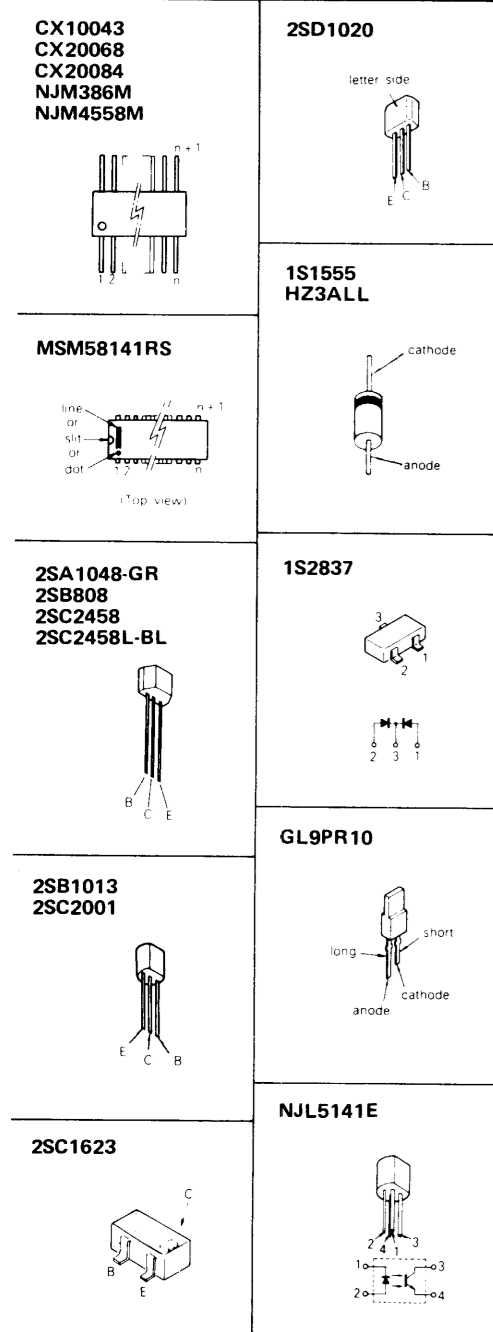


TOTAL CURRENT	1.10 (A)
(1) 1.10 (A)	(1) 1.10 (A)
(2) 1.10 (A)	(2) 1.10 (A)
(3) 1.10 (A)	(3) 1.10 (A)
(4) 1.10 (A)	(4) 1.10 (A)
(5) 1.10 (A)	(5) 1.10 (A)

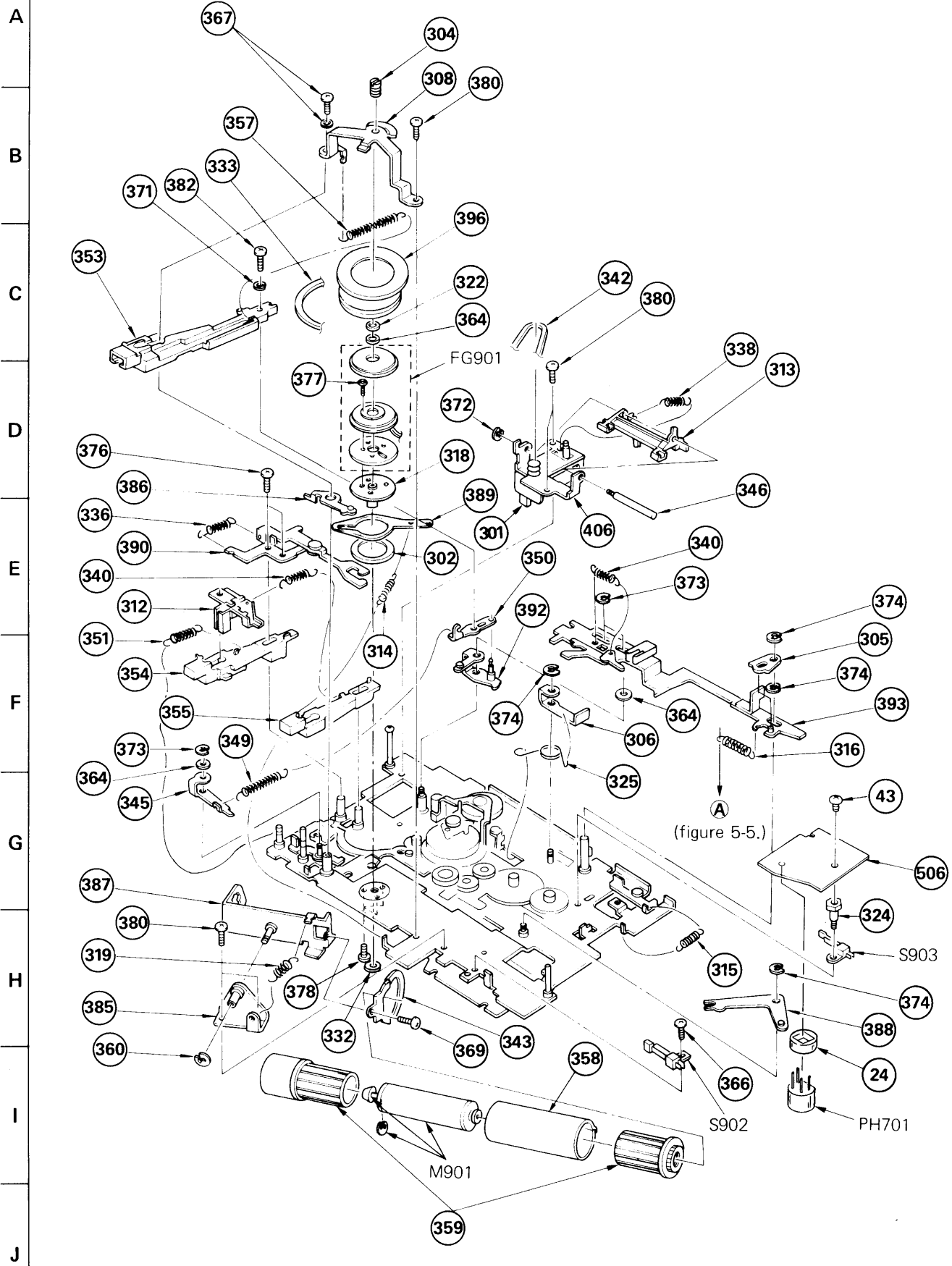
BATTERY SIZE 7AA (REC DESIGNATION R6) 4PCS. 6V
RECHARGEABLE BATTERY PACK 8P-23

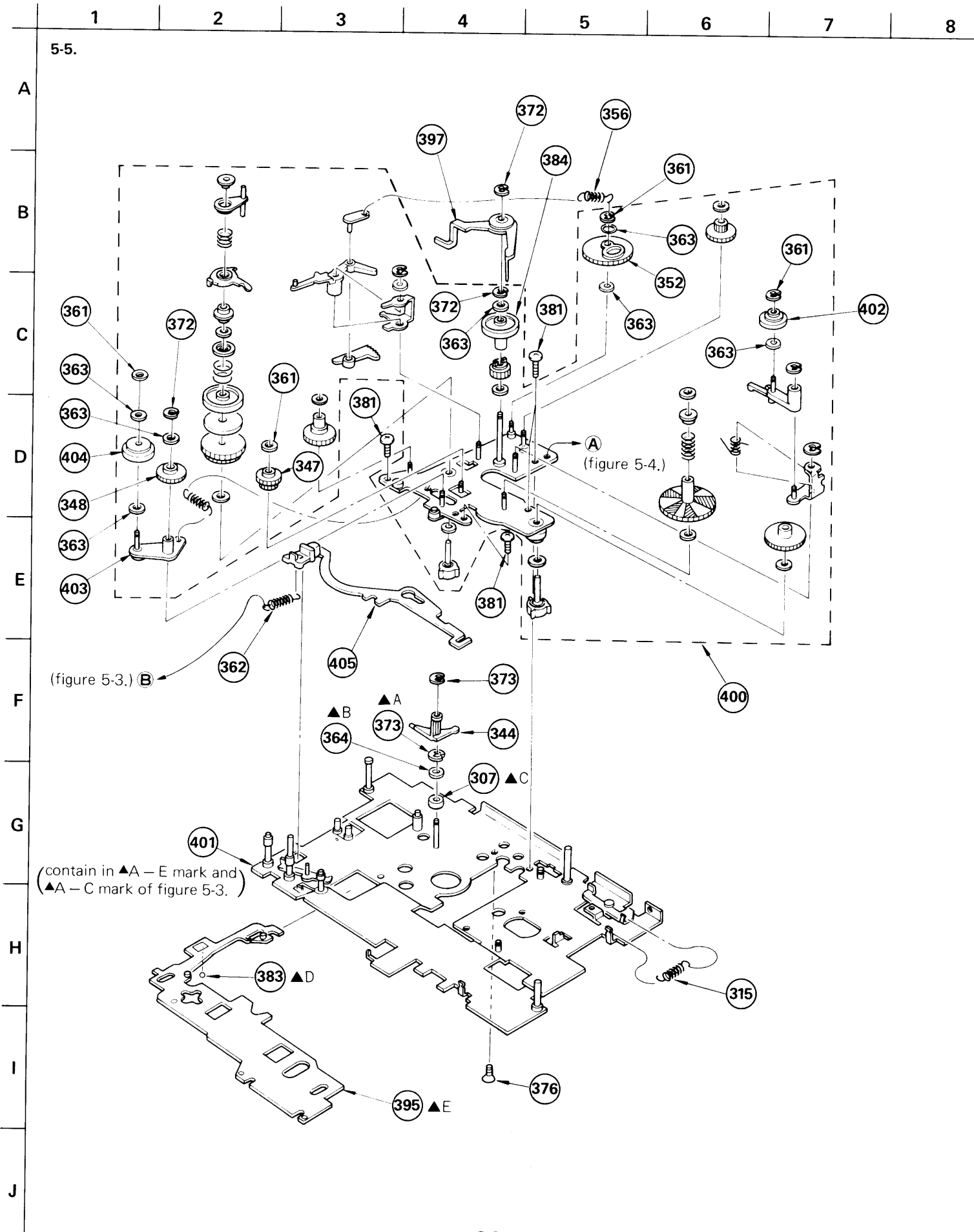
SEE INFORMATION

Semiconductor Lead Layouts



5-4.





GENERAL INFORMATION

WM-D6C/TC-D6C WM-D6C/TC-D6C

GENERAL SECTION		
No.	Part No.	Description
1	3-305-801-00	SPRING
2	3-305-802-00	PLATE, NUT
3	3-305-804-00	SPRING
4	3-305-867-00	KNOB (A), CONTROL, REC
5	3-305-868-00	KNOB, SPEED CONTROL
6	3-305-871-11	KNOB, TAPE SELECTOR
7	3-305-872-00	KNOB, SWITCH, SPEED CONTROL
8	3-305-873-00	TERMINAL BOARD, BATTERY
9	3-305-874-00	SPRING
10	♣;3-305-875-00	CHASSIS, CLAW, LOCK
11	3-305-887-00	COVER, SWITCH
12	♣;3-305-888-00	RETAINER
13	3-305-889-00	SHAFT, BELT, CARRYING
14	3-305-891-00	KNOB, CONTROL, SLIDE
15	3-305-892-00	CLAW, LOCK
16	3-305-896-00	CASE, BATTERY
17	3-305-897-00	HOLDER, LED
18	3-305-947-00	LABEL, DOLBY
19	3-305-961-01	KNOB, DOLBY
20	3-305-962-01	LABEL, FRONT
21	3-305-963-01	(WM-D6C)...PANEL, UPPER
21	3-305-969-01	(TC-D6C)...PANEL, UPPER
22	3-305-966-01	KNOB, METER
23	3-305-967-01	PLATE, ORNAMENTAL
24	♣;3-308-430-00	RETAINER, REFLECTOR, PHOTO
25	9-910-840-XX	CUSHION, RELEASE (t=3)
26	3-527-126-00	MARK, BATTERY CASE
27	3-557-575-00	SPRING, COMPRESSION
28	3-570-615-00	POLY-WASHER (DIA.1.2)
29	3-570-903-00	LEG
30	♣;3-572-862-00	SPACER
31	3-574-744-00	PLATE (B), NUT
32	3-701-999-00	LABEL, SERIAL NUMBER
33	3-831-441-XX	SPACER (t=0.5)
34	3-831-441-XX	CUSHION (t=0.5)
35	3-884-171-00	STOPPER
36	7-623-203-11	SW 1.4, TYPE 1
37	7-624-106-04	STOP RING 3.0, TYPE -E
38	7-627-451-38	SCREW, PRECISION +K 1.4X2
39	7-627-551-08	SCREW, PRECISION +P 1.4X1.6
40	7-627-552-37	SCREW, PRECISION +P 1.7X3
41	7-627-850-08	SCREW, PRECISION +P 1.4X2
42	7-627-850-18	SCREW, PRECISION +P 1.4X2.5
43	7-627-850-27	SCREW, PRECISION +P 1.4X3
44	7-627-850-28	SCREW, PRECISION +P 1.4X3
45	7-627-850-58	SCREW, PRECISION +P 1.4X3.5

GENERAL SECTION		
No.	Part No.	Description
46	9-911-837-XX	SPACER (t=1)
47	9-911-841-XX	CUSHION (B)(t=5)
48	9-911-845-XX	CUSHION (A)(t=5)
49	A-3043-068-A	PANEL SUB ASSY, REEL
50	X-3305-801-0	ARM ASSY
51	X-3305-818-0	LID ASSY, CASSETTE
52	X-3305-834-1	CABINET ASSY
53	X-3305-835-1	PANEL ASSY, LOWER
54	X-3564-820-0	HOLDER ASSY, BATTERY
55	3-703-707-01	STICKER, SONY SYMBOL (21)
56	3-305-968-01	(TC-D6C)...LABEL, MODEL NUMBER
ACCESSORY & PACKING MATERIAL		
	Part No.	Description
	A.1-463-138-00	(TC-D6C)...ADAPTOR, AC (AC-9W)
	1-555-658-00	CORD, CONNECTION (RK-129)
	3-305-935-00	(WM-D6C)...SPACER
	3-305-972-00	(TC-D6C)...SPACER
	3-305-973-00	(TC-D6C)...INDIVIDUAL CARTON
	3-305-981-00	(WM-D6C)...INDIVIDUAL CARTON
	3-305-975-00	(TC-D6C)...CUSHION
	3-305-938-00	(WM-D6C)...CUSHION
	3-305-980-00	(WM-D6C)...COVER, ACCESSORY
	3-305-940-00	BAND, SHOULDER
	3-305-970-00	CASE, CARRYING
	3-570-631-71	BAG, POLYETHYLENE, FOR SET
	3-701-618-00	BAG, POLYETHYLENE, FOR CONNECTION CORD
	3-701-625-00	BAG, POLYETHYLENE, FOR INSTRUCTION MANUAL
	3-773-736-11	(AEP)...MANUAL, INSTRUCTION
	3-773-736-21	(US)...MANUAL, INSTRUCTION
	3-773-736-31	(Canadian,AEP,UK,E)...MANUAL, INSTRUCTION
	3-773-766-21	(TC-D6C)...MANUAL, INSTRUCTION
	3-795-748-21	(US)...SAFETY INSTRUCTIONS, HEADPHONE
	8-810-036-90	(TC-D6C)...ECM-939LT SET
	8-951-173-90	(WM-D6C)...MDR-40L SET

MECHANISM SECTION		
No.	Part No.	Description
301	1-548-516-41	TIMER, TAPE
302	♣;3-305-807-00	RING, MOTOR LEVER
303	3-305-808-00	SPRING
304	3-305-810-00	SCREW, THRUST ADJUSTMENT
305	3-305-812-00	LEVER (C), REC
306	♣;3-305-815-00	LEVER (A), MUTING
307	3-305-839-00	ROLLER (SMALL)
308	3-305-846-00	RETAINER, THRUST
309	3-305-856-00	SPRING
310	♣;3-305-857-00	RETAINER, FG LEAD WIRE
311	3-305-858-00	CLAMP, LEAD WIRE
312	3-305-863-00	HOLDER, LEAD WIRE
313	3-305-865-00	PLATE, LOCK
314	3-305-901-00	SPRING, TENSION
315	3-305-902-00	SPRING, TENSION
316	3-305-903-00	SPRING, TENSION
317	3-305-908-00	BUTTON, REC
318	3-305-910-00	BEARING (A), CAPSTAN
319	3-305-914-00	SPRING, TENSION
320	3-305-915-00	PLATE, LOCK, PAUSE
321	3-305-917-00	PLATE (B), RELEASE, PINCH
322	3-305-925-00	WASHER
323	3-305-926-00	POLY-WASHER, 1.7DIA
324	3-305-952-01	SCREW, SWITCH
325	3-305-953-01	SPRING
326	3-305-956-01	BUTTON, FWD
327	3-305-957-01	BUTTON, STOP
328	3-305-958-01	BUTTON, FF
329	3-305-959-01	BUTTON, REW
330	3-305-960-01	BUTTON, PAUSE
331	♣;3-309-729-00	SHEET, LEAF SWITCH
332	3-314-576-00	WASHER
333	3-480-136-00	BELT (B)
334	3-513-237-01	PLATE
335	3-527-189-00	SPRING, TENSION
336	3-527-190-00	SPRING, TENSION
337	♣;3-305-971-01	TERMINAL PLATE
338	3-547-666-00	SPRING, TENSION
339	3-547-667-00	SPRING, TENSION
340	3-547-669-00	SPRING, TENSION
341	♣;3-547-686-00	CLAMP (B), WIRE
342	3-554-103-00	BELT, DRIVING
343	♣;3-556-269-00	BRACKET (B), M
344	3-557-402-00	LEVER (C), RELEASE
345	3-557-405-00	LEVER, SPRING HOOK

MECHANISM SECTION		
No.	Part No.	Description
346	3-557-408-00	SHAFT, LOCK PLATE
347	3-557-439-00	GEAR (A), F.R
348	3-557-440-00	GEAR (B), F.R
349	3-557-495-00	SPRING, TENSION
350	3-557-497-00	ARM, JOINT
351	3-557-498-00	SPRING, TENSION
352	3-557-509-00	GEAR (3)
353	3-557-514-00	LEVER, FWD
354	3-557-515-00	LEVER, FF
355	3-557-516-00	LEVER, REWIND
356	3-557-579-00	SPRING, TENSION
357	3-557-581-00	SPRING, TENSION
358	♣;3-557-805-00	CASE, SHIELD, M
359	♣;3-557-813-00	RUBBER, VIBRATION PROOF
360	3-558-708-21	WASHER, STOPPER
361	3-559-408-00	POLY-WASHER, 1.2 DIA
362	3-570-894-00	SPRING, TENSION
363	3-701-436-01	WASHER, 1.6 (t=0.13)
364	3-701-437-01	WASHER, 2 (t=0.13)
365	
366	3-703-502-22	SCREW
367	3-703-502-32	SCREW
368	3-831-441-XX	SPACER (t=0.5)
369	7-621-255-15	SCREW +P 2X3
370	7-621-255-25	SCREW +P 2X4
371	7-623-203-11	SW 1.4, TYPE 1
372	7-624-101-01	RING, RETAINING E-1.2
373	7-624-102-04	STOP RING 1.5, TYPE -E
374	7-624-104-04	STOP RING 2.0, TYPE -E
375	7-627-451-08	SCREW, PRECISION +K 1.4X1.6
376	7-627-451-27	SCREW, PRECISION +K 1.4X3
377	7-627-551-57	SCREW, PRECISION +P 1.4X3
378	7-627-551-78	SCREW, PRECISION +P 1.4X4
379	7-627-553-57	SCREW, PRECISION +P 2X4.5
380	7-627-850-07	SCREW, PRECISION +P 1.4X2
381	7-627-850-47	SCREW, PRECISION +P 1.4X1.6
382	7-627-851-27	SCREW, PRECISION +P 1.4X5
383	7-671-111-01	STEEL BALL IMM
384	X-3305-804-0	PULLEY ASSY, MIDWAY
385	♣;X-3305-806-0	BRACKET ASSY, MOTOR SHAFT
386	X-3305-807-0	LEVER (A) ASSY, MOTOR
387	♣;X-3305-808-0	BRACKET ASSY, MOTOR
388	X-3305-809-0	LEVER (C) ASSY, MOTOR
389	X-3305-810-0	LEVER (B) ASSY, MOTOR
390	X-3305-811-0	CHASSIS ASSY, SO

NOTE:

- The mechanical parts with no reference number in the exploded views are not supplied.
- Items marked "♣" are not stocked since they are seldom required for routine service. Some delay should be anticipated when ordering these items.
- Due to standardization, parts with part numbers (A-AAA-XXX-XX or A-AAA-AAA-X) may be different from those used in the set.
- If there are two or more same circuits in a set such as a stereophonic machine, only typical circuit parts may be indicated and capacitors and resistors in other same circuits may be omitted.

CAPACITORS:

- All capacitors are in .F. Common capacitors are omitted. Refer to the following lists for their part numbers. MF:μF, PF:μμF.

COILS

- MMH : mH, UH : μH

SEMICONDUCTORS

In each case, U : μ, for example:
 UA.... : μA...., UPA.... : μPA...., UPC.... : μPC, UPD.... : μPD....

The components identified by shading and mark **A** are critical for safety. Replace only with part number specified.

Les composants identifiés par une trame et une marque **A** sont critiques pour la sécurité. Ne les remplacer que par une pièce portant le numéro spécifié.

NOTE:

- The mechanical parts with no reference number in the exploded views are not supplied.
- Items marked "♣" are not stocked since they are seldom required for routine service. Some delay should be anticipated when ordering these items.
- Due to standardization, parts with part numbers (A-AAA-XXX-XX or A-AAA-AAA-X) may be different from those used in the set.
- If there are two or more same circuits in a set such as a stereophonic machine, only typical circuit parts may be indicated and capacitors and resistors in other same circuits may be omitted.

CAPACITORS:

- All capacitors are in .F. Common capacitors are omitted. Refer to the following lists for their part numbers. MF:μF, PF:μμF.

COILS

- MMH : mH, UH : μH

SEMICONDUCTORS

In each case, U : μ, for example:
 UA.... : μA...., UPA.... : μPA...., UPC.... : μPC, UPD.... : μPD....

SEE ADDITIONAL INFORMATION

WM-D6C/TC-D6C

WM-D6C/TC-D6C

SEE ADDITIONAL INFORMATION

MECHANISM SECTION

Table with 3 columns: No., Part No., Description. Contains parts 391-407 including chassis, lever, table, and bracket assemblies.

ELECTRICAL PARTS

Table with 3 columns: Ref.No., Part No., Description. Lists electrical components like PC boards, capacitors, and resistors.

ELECTRICAL PARTS

Table with 3 columns: Ref.No., Part No., Description. Lists electrical components like capacitors, resistors, and diodes.

ELECTRICAL PARTS

Table with 3 columns: Ref.No., Part No., Description. Lists electrical components like capacitors, resistors, and diodes.

ELECTRICAL PARTS

Table with 3 columns: Ref.No., Part No., Description. Lists electrical components like diodes, transistors, and microinductors.

NOTE: The mechanical parts with no reference number in the exploded views are not supplied. Items marked with a diamond are not stocked since they are seldom required for routine service. Some delay should be anticipated when ordering these items. Due to standardization, parts with part numbers (2-333-110-XX or 2-333-110-X) may be different from those used in the set. If there are two or more same circuits in a set such as a stereophonic machine, only typical circuit parts may be indicated and capacitors and resistors in other same circuits may be omitted.

CAPACITORS: All capacitors are in .F. Common capacitors are omitted. Refer to the following lists for their part numbers. MF: .F, PF: .PF. COILS: MMH: mH, UH: .H. SEMICONDUCTORS: In each case, U: u, for example: UA: .uA, UPA: .uPA, UPC: .uPC, UPD: .uPD.

NOTE: The mechanical parts with no reference number in the exploded views are not supplied. Items marked with a diamond are not stocked since they are seldom required for routine service. Some delay should be anticipated when ordering these items. Due to standardization, parts with part numbers (2-333-110-XX or 2-333-110-X) may be different from those used in the set. If there are two or more same circuits in a set such as a stereophonic machine, only typical circuit parts may be indicated and capacitors and resistors in other same circuits may be omitted.

CAPACITORS: All capacitors are in .F. Common capacitors are omitted. Refer to the following lists for their part numbers. MF: .F, PF: .PF. COILS: MMH: mH, UH: .H. SEMICONDUCTORS: In each case, U: u, for example: UA: .uA, UPA: .uPA, UPC: .uPC, UPD: .uPD.

SEE INFORMATION

ELECTRICAL PARTS

Ref.No.	Part No.	Description
Q201	8-729-204-83	TRANSISTOR 2SA1048-GR
Q202	8-729-205-84	TRANSISTOR 2SC2458L-BL
Q203	8-729-205-84	TRANSISTOR 2SC2458L-BL
Q204	8-729-205-84	TRANSISTOR 2SC2458L-BL
Q205	8-729-205-84	TRANSISTOR 2SC2458L-BL
Q206	8-729-205-84	TRANSISTOR 2SC2458L-BL
Q207	8-729-100-66	TRANSISTOR 2SC1623
Q208	8-729-102-03	TRANSISTOR 2SD1020
Q209	8-729-100-66	TRANSISTOR 2SC1623
Q301	8-729-245-83	TRANSISTOR 2SC2458
Q302	8-729-245-83	TRANSISTOR 2SC2458
Q303	8-729-800-83	TRANSISTOR 2SB808
Q304	8-729-245-83	TRANSISTOR 2SC2458
Q305	8-729-102-03	TRANSISTOR 2SD1020
Q306	8-729-102-03	TRANSISTOR 2SD1020
Q307	8-729-100-13	TRANSISTOR 2SC2001
Q308	8-729-800-83	TRANSISTOR 2SB808
Q309	8-729-245-83	TRANSISTOR 2SC2458
Q601	8-729-801-83	TRANSISTOR 2SB1013
Q701	8-729-100-66	TRANSISTOR 2SC1623
Q702	8-729-100-66	TRANSISTOR 2SC1623
Q703	8-729-100-66	TRANSISTOR 2SC1623
Q704	8-729-100-66	TRANSISTOR 2SC1623
Q801	8-729-245-83	TRANSISTOR 2SC2458
R101	1-247-879-00	CARBON 100K 5% 1/6W
R102	1-247-865-00	CARBON 27K 5% 1/6W
R103	1-247-855-00	CARBON 10K 5% 1/6W
R104	1-247-811-00	CARBON 150 5% 1/6W
R105	1-247-867-00	CARBON 33K 5% 1/6W
R106	1-247-835-00	CARBON 1.5K 5% 1/6W
R107	1-247-845-00	CARBON 3.9K 5% 1/6W
R108	1-247-863-00	CARBON 22K 5% 1/6W
R109	1-247-895-00	CARBON 470K 5% 1/6W
R110	1-247-903-00	CARBON 1M 5% 1/6W
R111	1-247-849-00	CARBON 5.6K 5% 1/6W
R112	1-247-829-00	CARBON 820 5% 1/6W
R113	1-247-877-00	CARBON 82K 5% 1/6W
R114	1-247-877-00	CARBON 82K 5% 1/6W
R115	1-247-809-00	CARBON 120 5% 1/6W
R116	1-247-849-00	CARBON 5.6K 5% 1/6W
R117	1-247-879-00	CARBON 100K 5% 1/6W
R118	1-247-819-00	CARBON 330 5% 1/6W
R119	1-247-857-00	CARBON 12K 5% 1/6W
R120	1-247-835-00	CARBON 1.5K 5% 1/6W
R121	1-247-881-00	CARBON 120K 5% 1/6W

ELECTRICAL PARTS

Ref.No.	Part No.	Description
R122	1-247-851-00	CARBON 6.8K 5% 1/6W
R123	1-247-853-00	CARBON 8.2K 5% 1/6W
R124	1-247-857-00	CARBON 12K 5% 1/6W
R125	1-247-861-00	CARBON 18K 5% 1/6W
R126	1-247-895-00	CARBON 470K 5% 1/6W
R127	1-247-843-00	CARBON 3.3K 5% 1/6W
R128	1-247-850-00	CARBON 6.2K 5% 1/6W
R129	1-247-848-00	CARBON 5.1K 5% 1/6W
R130	1-247-874-00	CARBON 62K 5% 1/6W
R131	1-247-838-00	CARBON 2K 5% 1/6W
R132	1-247-867-00	CARBON 33K 5% 1/6W
R133	1-247-838-00	CARBON 2K 5% 1/6W
R134	1-247-861-00	CARBON 18K 5% 1/6W
R135	1-247-888-00	CARBON 240K 5% 1/6W
R136	1-247-888-00	CARBON 240K 5% 1/6W
R137	1-247-837-00	CARBON 1.8K 5% 1/6W
R138	1-247-862-00	CARBON 20K 5% 1/6W
R139	1-247-859-00	CARBON 15K 5% 1/6W
R140	1-247-867-00	CARBON 33K 5% 1/6W
R141	1-247-825-00	CARBON 560 5% 1/6W
R142	1-247-838-00	CARBON 2K 5% 1/6W
R143	1-247-835-00	CARBON 1.5K 5% 1/6W
R144	1-247-871-00	CARBON 47K 5% 1/6W
R145	1-247-873-00	CARBON 56K 5% 1/6W
R146	1-247-855-00	CARBON 10K 5% 1/6W
R147	1-247-839-00	CARBON 2.2K 5% 1/6W
R148	1-247-839-00	CARBON 2.2K 5% 1/6W
R149	1-247-865-00	CARBON 27K 5% 1/6W
R150	1-247-863-00	CARBON 22K 5% 1/6W
R151	1-247-821-00	CARBON 390 5% 1/6W
R152	1-247-787-00	CARBON 15 5% 1/6W
R153	1-247-847-00	CARBON 4.7K 5% 1/6W
R155	1-247-867-00	CARBON 33K 5% 1/6W
R156	1-247-873-00	CARBON 56K 5% 1/6W
R157	1-247-879-00	CARBON 100K 5% 1/6W
R158	1-247-845-00	CARBON 3.9K 5% 1/6W
R159	1-247-851-00	CARBON 6.8K 5% 1/6W
R160	1-247-855-00	CARBON 10K 5% 1/6W
R161	1-247-816-00	CARBON 240 5% 1/6W
R162	1-247-811-00	CARBON 150 5% 1/6W
R163	1-247-817-00	CARBON 270 5% 1/6W
R164	1-247-859-00	CARBON 15K 5% 1/6W
R165	1-247-851-00	CARBON 6.8K 5% 1/6W
R166	1-247-867-00	CARBON 33K 5% 1/6W
R167	1-247-879-00	CARBON 100K 5% 1/6W

NOTE:

- The mechanical parts with no reference number in the exploded views are not supplied.
- Items marked "●" are not stocked since they are seldom required for routine service. Some delay should be anticipated when ordering these items.
- Due to standardization, parts with part numbers (C-1111-1111-XX or C-1111-1111-X) may be different from those used in the set.
- If there are two or more same circuits in a set such as a stereophonic machine, only typical circuit parts may be indicated and capacitors and resistors in other same circuits may be omitted.

CAPACITORS:

- All capacitors are in μF . Common capacitors are omitted. Refer to the following lists for their part numbers.
MF: μF , PF: μuF .

COILS

- MMH : mH, UH : μH

SEMICONDUCTORS

- In each case, U : μ , for example:
UA: μA , UPA: μPA , UPC: μPC ,
UPD: μPD

ELECTRICAL PARTS

Ref.No.	Part No.	Description			
R168	1-247-877-00	CARBON	82K	5%	1/6W
R169	1-247-852-00	CARBON	7.5K	5%	1/6W
R301	1-247-857-00	CARBON	12K	5%	1/6W
R302	1-247-855-00	CARBON	10K	5%	1/6W
R303	1-247-857-00	CARBON	12K	5%	1/6W
R305	1-247-865-00	CARBON	27K	5%	1/6W
R306	1-247-863-00	CARBON	22K	5%	1/6W
R307	1-247-879-00	CARBON	100K	5%	1/6W
R308	1-247-847-00	CARBON	4.7K	5%	1/6W
R309	1-247-879-00	CARBON	100K	5%	1/6W
R310	1-247-863-00	CARBON	22K	5%	1/6W
R311	1-247-865-00	CARBON	27K	5%	1/6W
R312	1-247-823-00	CARBON	470	5%	1/6W
R313	1-247-821-00	CARBON	390	5%	1/6W
R314	1-247-847-00	CARBON	4.7K	5%	1/6W
R315	1-247-847-00	CARBON	4.7K	5%	1/6W
R316	1-247-795-00	CARBON	33	5%	1/6W
R317	1-247-871-00	CARBON	47K	5%	1/6W
R318	1-247-867-00	CARBON	33K	5%	1/6W
R319	1-247-867-00	CARBON	33K	5%	1/6W
R320	1-247-881-00	CARBON	120K	5%	1/6W
R321	1-247-831-00	CARBON	1K	5%	1/6W
R322	1-247-855-00	CARBON	10K	5%	1/6W
R601	1-247-840-00	CARBON	2.4K	5%	1/6W
R602	1-247-873-00	CARBON	56K	5%	1/6W
R603	1-214-781-00	METAL	150K	1%	1/4W
R604	1-214-781-00	METAL	150K	1%	1/4W
R605	1-247-855-00	CARBON	10K	5%	1/6W
R607	1-247-879-00	CARBON	100K	5%	1/6W
R608	1-247-855-00	CARBON	10K	5%	1/6W
R609	1-247-887-00	CARBON	220K	5%	1/6W
R610	1-247-876-00	CARBON	75K	5%	1/6W
R701	1-216-206-00	METAL CHIP	2.2K	5%	1/8W
R702	1-216-258-00	METAL CHIP	330K	5%	1/8W
R703	1-216-246-00	METAL CHIP	100K	5%	1/8W
R704	1-216-252-00	METAL CHIP	180K	5%	1/8W
R705	1-216-252-00	METAL CHIP	180K	5%	1/8W
R706	1-216-238-00	METAL CHIP	47K	5%	1/8W
R707	1-216-222-00	METAL CHIP	10K	5%	1/8W
R708	1-216-230-00	METAL CHIP	22K	5%	1/8W
R709	1-216-222-00	METAL CHIP	10K	5%	1/8W
R710	1-216-250-00	METAL CHIP	150K	5%	1/8W
R711	1-216-206-00	METAL CHIP	2.2K	5%	1/8W
R712	1-216-246-00	METAL CHIP	100K	5%	1/8W
R713	1-216-270-00	METAL CHIP	1M	5%	1/8W

ELECTRICAL PARTS

Ref.No.	Part No.	Description			
R714	1-216-230-00	METAL CHIP	22K	5%	1/8W
R715	1-216-278-00	METAL CHIP	2.2M	5%	1/8W
R716	1-216-180-00	METAL CHIP	180	5%	1/8W
R801	1-247-855-00	CARBON	10K	5%	1/6W
R802	1-247-855-00	CARBON	10K	5%	1/6W
R804	1-247-879-00	CARBON	100K	5%	1/6W
R805	1-247-855-00	CARBON	10K	5%	1/6W
R806	1-247-879-00	CARBON	100K	5%	1/6W
R807	1-247-855-00	CARBON	10K	5%	1/6W
R808	1-247-857-00	CARBON	12K	5%	1/6W
R809	1-247-873-00	CARBON	56K	5%	1/6W
R810	1-247-875-00	CARBON	68K	5%	1/6W
R811	1-247-847-00	CARBON	4.7K	5%	1/6W
R812	1-247-853-00	CARBON	8.2K	5%	1/6W
R813	1-247-783-00	CARBON	10	5%	1/6W
R814	1-247-813-00	CARBON	180	5%	1/6W
R815	1-247-813-00	CARBON	180	5%	1/6W
R816	1-247-813-00	CARBON	180	5%	1/6W
R817	1-247-813-00	CARBON	180	5%	1/6W
R818	1-247-813-00	CARBON	180	5%	1/6W
R819	1-247-831-00	CARBON	1K	5%	1/6W
RV101	1-226-710-00	RES, ADJ, SOLID 10K			
RV102	1-230-035-00	RES, ADJ, CARBON 10K			
RV201	1-226-710-00	RES, ADJ, SOLID 10K			
RV202	1-230-035-00	RES, ADJ, CARBON 10K			
RV301	1-230-275-11	RES, VAR, CARBON 50K/50K			
RV302	1-228-545-00	RES, VAR, SLIDE 50K/50K			
RV601	1-230-351-11	RES, ADJ, METAL GLAZE 50K			
RV602	1-228-607-00	RES, VAR, CARBON 20K			
RV603	1-230-351-11	RES, ADJ, METAL GLAZE 50K			
S301	1-554-029-00	SWITCH, SLIDE (REC/PB SELECT)			
S302	1-554-222-00	SWITCH, SLIDE (MIC ATT)			
S601	1-554-142-00	SWITCH, SLIDE (SPEED TUNE)			
S801	1-554-746-11	SWITCH, SLIDE (PEAK/BATT SELECT)			
S802	1-552-642-00	SWITCH (DOLBY NR)			
S803	1-552-642-00	SWITCH (TAPE SELECT)			
S901	1-553-226-00	SWITCH, LEAF (POWER)			
S902	1-552-181-00	SWITCH, LEAF (FWD MUTE)			
S903	1-553-198-00	SWITCH, LEAF (REC MUTE)			
T301	1-433-244-00	TRANSFORMER, BIAS OSCILLATOR			
X701	1-527-957-00	OSCILLATOR, CRYSTAL			

NOTE:

- The mechanical parts with no reference number in the exploded views are not supplied.
- Items marked "●" are not stocked since they are seldom required for routine service. Some delay should be anticipated when ordering these items.
- Due to standardization, parts with part numbers (1-AAA-AAA-XX or 1-AAA-AAA-X) may be different from those used in the set.
- If there are two or more same circuits in a set such as a stereophonic machine, only typical circuit parts may be indicated and capacitors and resistors in other same circuits may be omitted.

CAPACITORS:

- All capacitors are in μ F. Common capacitors are omitted. Refer to the following lists for their part numbers.
- MF: μ F, PF: μ PF.

COILS

- MMH : mH, UH : μ H

SEMICONDUCTORS

- In each case, U : μ , for example:
- UA: μ A, UPA: μ PA, UPC: μ PC, UPD: μ PD

WM-D6C/TC-D6C

WM-D6C/TC-D6C

WM-D6C/TC-D6C

SERVICE MANUAL

SUPPLEMENT

File this Supplement with the Service Manual.

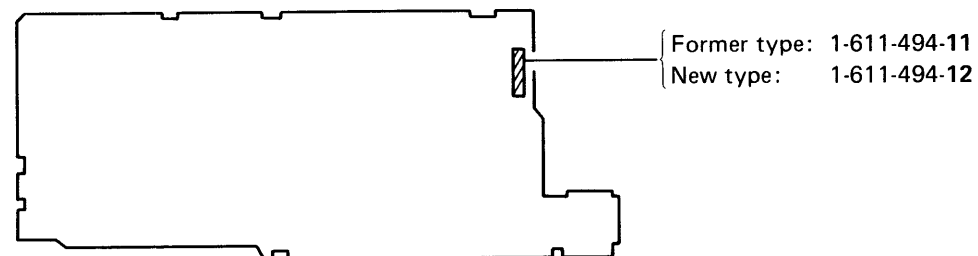
Subject: DOLBY IC (IC101, 201) CHANGE

(Former) (New)
IC101, 102 CX20068 → CX20218

Because of this change, main board and the circuit around DOLBY IC have been changed.

- New or former type can be identified by the part-number suffix of main board.

MAIN BOARD



The mounting diagram and the schematic diagram for the main board whose part-number suffix is 12 are given in this supplement.

As to information for the main board whose part-number suffix is 11, refer to the service manual previously issued.

- CHANGED PARTS Page 2-3
- Semiconductor lead layouts Page 3
- MOUNTING DIAGRAM Page 4-6
- SCHEMATIC DIAGRAM Page 7-10
- CORRECTION Page 3

STEREO CASSETTE-CORDER
SONY

WM-D6C:
US Model
Canadian Model
AEP Model
UK Model
E Model

TC-D6C:
US Model

No. 1
January, 1985

• CHANGED PARTS

Note: Components for right channel is omitted. (Reference numbers are corded from 201.)

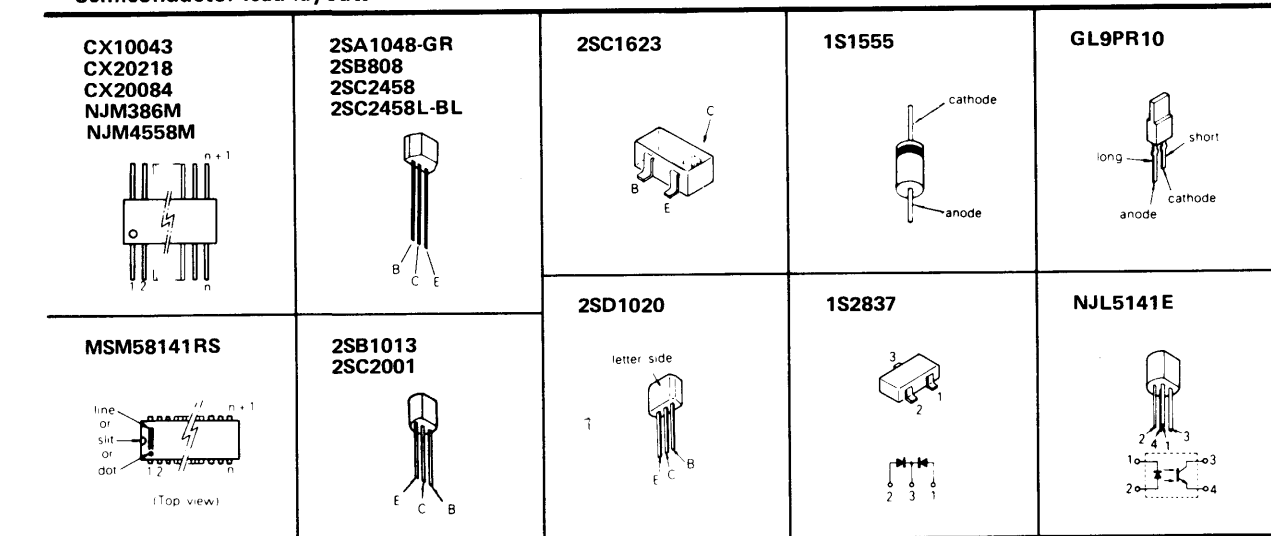
Ref. No.	Former (PC Board Suffix-11)				New (PC Board Suffix-12)				
	Description				Part No.	Description			
C103	TANTALUM	33 μ F	20%	6.3V	1-124-220-00	ELECT	33 μ F	20%	4V
C117	CERAMIC	100PF	10%	50V	1-102-108-00	CERAMIC	150PF	10%	50V
C121	CERAMIC	0.022 μ F	10%	25V	1-161-054-00	CERAMIC	0.018 μ F	10%	25V
C122	ELECT	2.2 μ F	20%	50V	1-124-255-00	ELECT	1 μ F	20%	50V
C123	TANTALUM	0.15 μ F	10%	35V	1-131-343-00	TANTALUM	0.22 μ F	10%	35V
C127	TANTALUM	0.15 μ F	10%	35V	1-131-341-00	TANTALUM	0.1 μ F	10%	35V
C128	TANTALUM	0.15 μ F	10%	35V	1-131-343-00	TANTALUM	0.22 μ F	10%	35V
C129	CERAMIC	0.0047 μ F	10%	25V	1-161-012-00	CERAMIC	0.0082 μ F	10%	25V
C134	CERAMIC	560PF	10%	50V	1-102-119-00	CERAMIC	0.0015 μ F	10%	50V
D101	DIODE	1S1555							
D201	DIODE	1S1555							
D301	DIODE	HZ3ALL							
IC101	IC	CX20068			8-752-021-80	IC	CX20218		
IC201	IC	CX20068			8-752-021-80	IC	CX20218		
R134	CARBON	18K Ω	5%	1/6W	1-247-869-00	CARBON	39K Ω	5%	1/6W
R135	CARBON	240K Ω	5%	1/6W	1-247-872-00	CARBON	51K Ω	5%	1/6W
R136	CARBON	240K Ω	5%	1/6W	1-247-891-00	CARBON	330K Ω	5%	1/6W
R137	CARBON	1.8K Ω	5%	1/6W	1-247-831-00	CARBON	1K Ω	5%	1/6W
R138	CARBON	20K Ω	5%	1/6W	1-247-858-00	CARBON	13K Ω	5%	1/6W
R139	CARBON	15K Ω	5%	1/6W	1-247-858-00	CARBON	13K Ω	5%	1/6W
R141	CARBON	560 Ω	5%	1/6W	1-247-827-00	CARBON	680 Ω	5%	1/6W
R149	CARBON	27K Ω	5%	1/6W	1-247-859-00	CARBON	15K Ω	5%	1/6W
R150	CARBON	22K Ω	5%	1/6W	1-247-871-00	CARBON	47K Ω	5%	1/6W

Ref. No.	Former (PC Board Suffix-11)				New (PC Board Suffix-12)				
	Description				Part No.	Description			
R154					1-247-890-00	CARBON	300K Ω	5%	1/6W
R161	CARBON	240 Ω	5%	1/6W	1-247-818-00	CARBON	300 Ω	5%	1/6W
R170					1-247-903-00	CARBON	1M Ω	5%	1/6W
R171					1-216-198-00	METAL CHIP	1K Ω	5%	1/8W
R172					1-216-081-00	METAL CHIP	22K Ω	5%	1/10W
R312	CARBON	470 Ω	5%	1/6W	1-247-826-00	CARBON	620 Ω	5%	1/6W
R313	CARBON	390 Ω	5%	1/6W	1-247-824-00	CARBON	510 Ω	5%	1/6W

Service Manual P31, 32

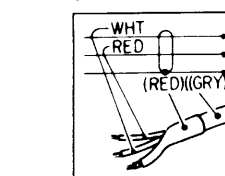
(345) LEVER, SPRING HOOK 3-557-405-00 → 3-305-988-01

• Semiconductor lead layouts

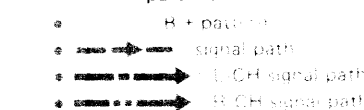


Note: FOR MOUNTING DIAGRAM

- Color code of sleeving over the end of the jacket.



- ○ : parts extracted from the component side.
- ● : parts extracted from the conductor side.
- ■ : part mounted on the conductor side.

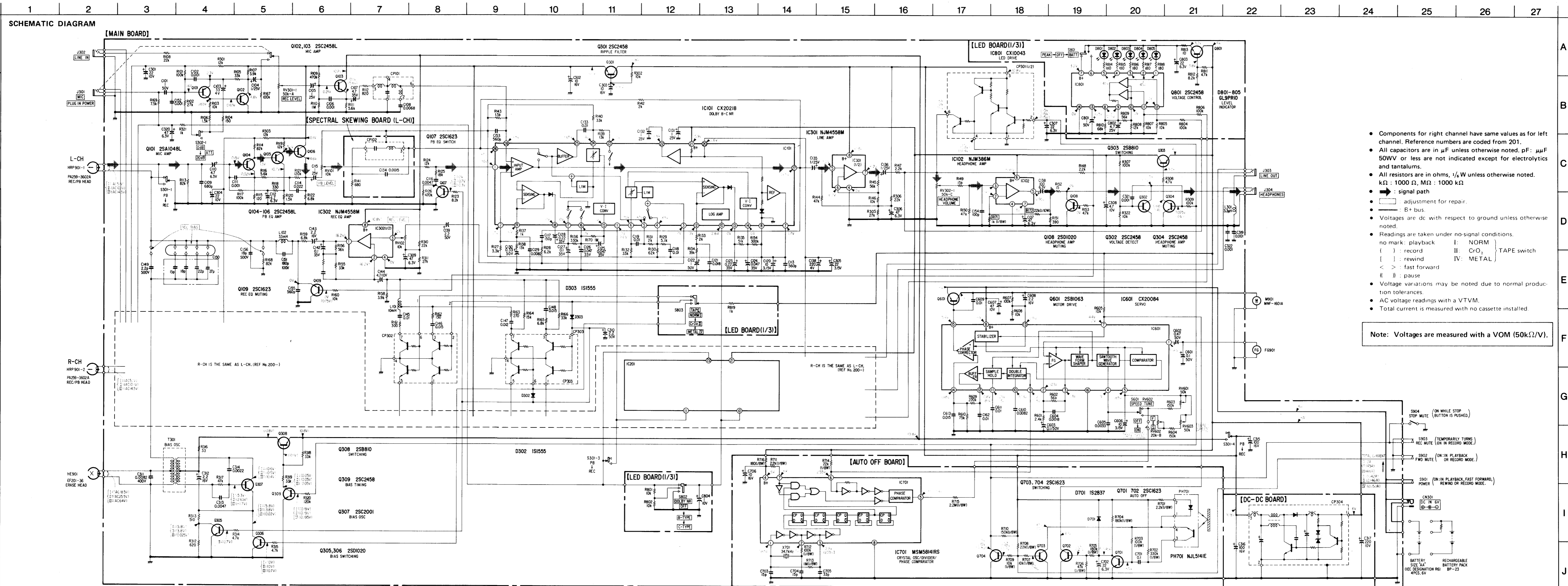


CORRECTION

Service Manual P36

Part number of service manual

9-951-343-11 → 9-951-385-11



- Components for right channel have same values as for left channel. Reference numbers are coded from 201.
- All capacitors are in μF unless otherwise noted. $\text{pF} = \mu\mu\text{F}$ 50WV or less are not indicated except for electrolytics and tantalums.
- All resistors are in ohms, $\frac{1}{4}\text{W}$ unless otherwise noted. $\text{k}\Omega : 1000 \Omega, \text{M}\Omega : 1000 \text{k}\Omega$
- \rightarrow : signal path
- \square : adjustment for repair.
- \ominus : B+ bus.
- Voltages are dc with respect to ground unless otherwise noted.
- Readings are taken under no-signal conditions.
- no mark: playback I: NORM } TAPE switch
 () : record II: CrO₂
 [] : rewind IV: METAL
 < > : fast forward
 [] : pause
- Voltage variations may be noted due to normal production tolerances.
- AC voltage readings with a VTVM.
- Total current is measured with no cassette installed.

Note: Voltages are measured with a VOM (50k Ω /V).

WM-D6C/TC-D6C

AUTO OFF **LED**

SECTION 5 EXPLODED VIEWS AND PARTS LIST (Service Manual see pages 31 to 36)

NOTE:

- Due to standardization, replacements in the parts list may be different from the parts specified in the diagrams or the components used on the set.
- XX and -X mean standardized parts, so they may have some difference from the original one.
- RESISTORS**
All resistors are in ohms.
METAL: Metal-film resistor.
METAL OXIDE: Metal oxide film resistor.
F: nonflammable
- Items marked "*" are not stocked since they are seldom required for routine service. Some delay should be anticipated when ordering these items.
- SEMICONDUCTORS**
In each case, u: μ , for example:
uA.: μ A., uPA.: μ PA.,
uPB.: μ PB., uPC.: μ PC., uPD.: μ PD.
- CAPACITORS**
uF: μ F
- COILS**
uH: μ H

When indicating parts by reference number, please include the board.

Ref. No.	Part No.	Description	Remark	Ref. No.	Part No.	Description	Remark
< RESISTOR >							
R801	1-216-073-00	METAL CHIP	10K 5% 1/10W	R713	1-216-121-00	METAL CHIP	1M 5% 1/10W
R802	1-216-073-00	METAL CHIP	10K 5% 1/10W	R714	1-216-081-00	METAL CHIP	22K 5% 1/10W
R804	1-216-097-00	METAL CHIP	100K 5% 1/10W	R715	1-216-129-00	METAL CHIP	2.2M 5% 1/10W
R805	1-216-073-00	METAL CHIP	10K 5% 1/10W	R716	1-216-031-00	METAL CHIP	180 5% 1/10W
R806	1-216-097-00	METAL CHIP	100K 5% 1/10W	< VIBRATOR >			
R807	1-216-073-00	METAL CHIP	10K 5% 1/10W	X701	1-527-957-00	OSCILLATOR, CRYSTAL (34.7kHz)	
R808	1-216-075-00	METAL CHIP	12K 5% 1/10W	*****			
R809	1-216-091-00	METAL CHIP	56K 5% 1/10W	< SWITCH >			
R810	1-216-093-00	METAL CHIP	68K 5% 1/10W	S801	1-554-746-11	SWITCH, SLIDE (PEAK/BATT)	
R811	1-216-065-00	METAL CHIP	4.7K 5% 1/10W	S802	1-552-642-00	SWITCH (DOLBY NR)	
R812	1-216-071-00	METAL CHIP	8.2K 5% 1/10W	S803	1-552-642-00	SWITCH (TAPE)	
R813	1-216-001-00	METAL CHIP	10 5% 1/10W	*****			
R814	1-216-031-00	METAL CHIP	180 5% 1/10W	< CAPACITOR >			
R815	1-216-031-00	METAL CHIP	180 5% 1/10W	C801	1-126-193-11	ELECT	1uF 20% 50V
R816	1-216-031-00	METAL CHIP	180 5% 1/10W	C802	1-126-603-11	ELECT CHIP	4.7uF 20% 35V
R817	1-216-031-00	METAL CHIP	180 5% 1/10W	C803	1-124-778-00	ELECT CHIP	22uF 20% 6.3V
R818	1-216-031-00	METAL CHIP	180 5% 1/10W	C804	1-135-091-91	TANTAL. CHIP	1uF 20% 16V
R819	1-216-049-00	METAL CHIP	1K 5% 1/10W	< DIODE >			

< CAPACITOR >							

< DIODE >							

< IC >							

< PHOTO INTERRUPTER >							

< TRANSISTOR >							

< RESISTOR >							
R701	1-216-057-00	METAL CHIP	2.2K 5% 1/10W	D801	8-719-915-54	DIODE	SLP159B
R702	1-216-109-00	METAL CHIP	330K 5% 1/10W	D802	8-719-915-54	DIODE	SLP159B
R703	1-216-097-00	METAL CHIP	100K 5% 1/10W	D803	8-719-915-54	DIODE	SLP159B
R704	1-216-103-91	METAL GLAZE	180K 5% 1/10W	D804	8-719-915-54	DIODE	SLP159B
R705	1-216-103-91	METAL GLAZE	180K 5% 1/10W	D805	8-719-915-54	DIODE	SLP159B
R706	1-216-089-91	METAL GLAZE	47K 5% 1/10W	< IC >			
R708	1-216-081-00	METAL CHIP	22K 5% 1/10W	IC801	8-752-060-72	IC	CX10043-T4
R710	1-216-101-00	METAL CHIP	150K 5% 1/10W	< TRANSISTOR >			
R711	1-216-057-00	METAL CHIP	2.2K 5% 1/10W	Q801	8-729-120-28	TRANSISTOR	2SC1623-L51.6
R712	1-216-097-00	METAL CHIP	100K 5% 1/10W	*****			

SONY SERVICE MANUAL

US Model
Canadian Model
AEP Model
UK Model
E Model

SUPPLEMENT-2

File this supplement with the service manual.

Subject: Change of the Main Board.

This Supplement-2 contains only the information about WM-D6C.

The printed circuit boards changes to the new one.

The spectral skewing board and the DC-DC board are built in the new main board.

Destination	Serial No.
US	After 267,201
Canadian	After 270,001
AEP	After 269,301
UK	After 269,601
E	After 270,001

- SCHEMATIC DIAGRAM
- PRINTED WIRING BOARD
- ELECTRICAL PARTS LIST

LED **MAIN**

MAIN

Ref. No.	Part No.	Description	Remark
< RESISTOR >			
C113	1-163-006-11	CERAMIC CHIP	560PF 10% 50V
C114	1-104-555-11	FILM CHIP	0.022uF 5% 16V
C115	1-135-177-21	TANTALUM CHIP	1uF 20% 20V
C116	1-104-547-11	FILM CHIP	0.0047uF 5% 16V
C117	1-163-121-00	CERAMIC CHIP	150PF 5% 50V
C118	1-104-551-11	FILM CHIP	0.01uF 5% 16V
C119	1-104-551-11	FILM CHIP	0.01uF 5% 16V
C120	1-135-201-11	TANTALUM CHIP	10uF 20% 4V
C121	1-163-024-00	CERAMIC CHIP	0.018uF 10% 50V
C122	1-126-193-11	ELECT	1uF 20% 50V
C123	1-135-072-21	TANTALUM CHIP	0.22uF 10% 35V
C124	1-104-559-11	FILM CHIP	0.047uF 5% 16V
C125	1-104-559-11	FILM CHIP	0.047uF 5% 16V
C126	1-104-559-11	FILM CHIP	0.047uF 5% 16V
C127	1-135-070-00	TANTALUM CHIP	0.1uF 10% 35V
C128	1-135-072-21	TANTALUM CHIP	0.22uF 10% 35V
C129	1-163-020-00	CERAMIC CHIP	0.0082uF 10% 50V
C130	1-126-190-11	ELECT	0.33uF 20% 50V
C131	1-135-177-21	TANTALUM CHIP	1uF 20% 20V
C132	1-135-177-21	TANTALUM CHIP	1uF 20% 20V
C133	1-104-551-11	FILM CHIP	0.01uF 5% 16V
C134	1-163-011-11	CERAMIC CHIP	0.0015uF 10% 50V
C135	1-135-177-21	TANTALUM CHIP	1uF 20% 20V
C136	1-135-177-21	TANTALUM CHIP	1uF 20% 20V
C137	1-126-205-11	ELECT CHIP	47uF 20% 6.3V
C138	1-126-206-11	ELECT CHIP	100uF 20% 6.3V
C139	1-126-601-11	ELECT CHIP	2.2uF 20% 50V
C141	1-163-007-11	CERAMIC CHIP	680PF 10% 50V
C142	1-135-070-00	TANTALUM CHIP	0.1uF 10% 35V
C143	1-135-179-21	TANTALUM CHIP	2.2uF 10% 16V
C144	1-135-210-11	TANTALUM CHIP	4.7uF 20% 10V
C145	1-104-551-11	FILM CHIP	0.01uF 5% 16V
C146	1-104-553-11	FILM CHIP	0.015uF 5% 16V
C147	1-104-552-11	FILM CHIP	0.012uF 5% 16V
C148	1-104-553-11	FILM CHIP	0.015uF 5% 16V
C149	1-109-809-91	CAP. CHIP MICA	2.2PF 0.25PF 100V
C151	1-163-988-11	CERAMIC CHIP	180PF 5% 100V
C152	1-163-009-11	CERAMIC CHIP	0.001uF 10% 50V
C153	1-163-011-11	CERAMIC CHIP	0.0015uF 10% 50V
C154	1-163-117-00	CERAMIC CHIP	100PF 5% 50V
C155	1-163-006-11	CERAMIC CHIP	560PF 10% 50V
C201	1-128-594-11	ELECT CHIP	1uF 20% 50V
C202	1-163-009-11	CERAMIC CHIP	0.001uF 10% 50V
C203	1-126-207-11	ELECT CHIP	33uF 20% 4V
C204	1-135-177-21	TANTALUM CHIP	1uF 20% 20V
C205	1-135-177-21	TANTALUM CHIP	1uF 20% 20V
C206	1-163-009-11	CERAMIC CHIP	0.001uF 10% 50V
C207	1-126-603-11	ELECT CHIP	4.7uF 20% 35V

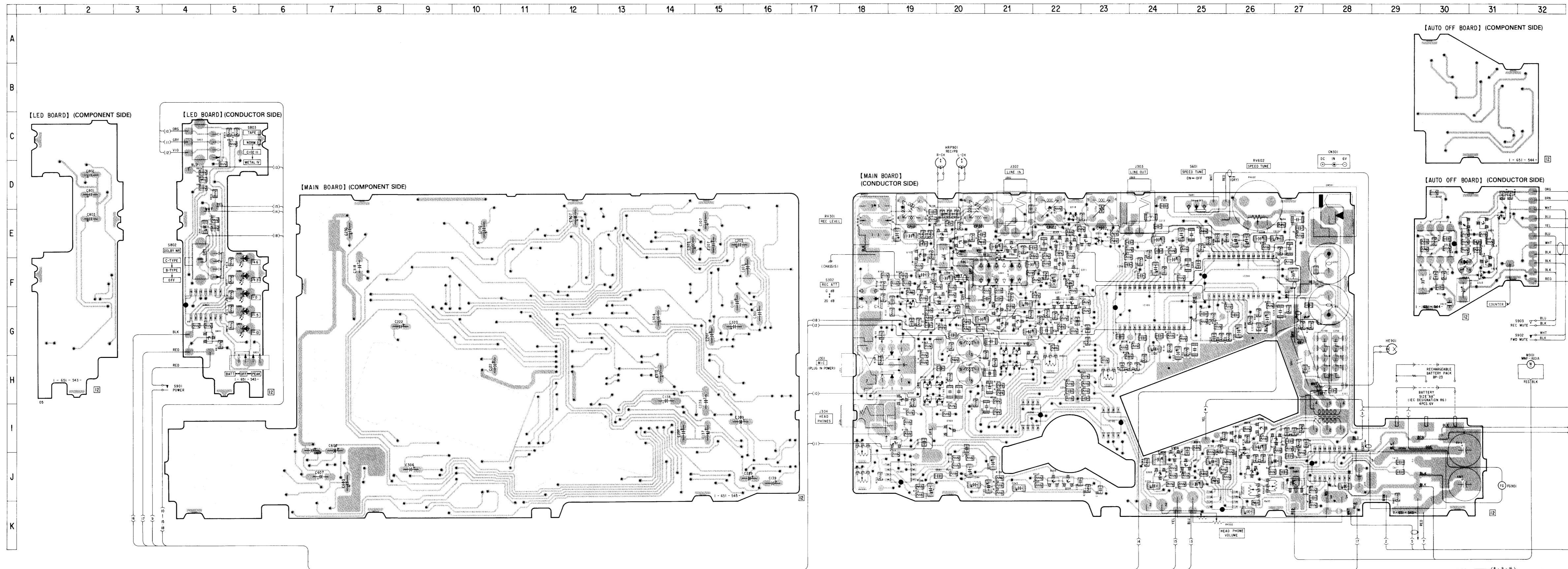
Ref. No.	Part No.	Description	Remark
C208	1-163-019-00	CERAMIC CHIP	0.0068uF 10% 50V
C209	1-163-007-11	CERAMIC CHIP	680PF 10% 50V
C210	1-135-181-21	TANTALUM CHIP	4.7uF 20% 6.3V
C211	1-163-009-11	CERAMIC CHIP	0.001uF 10% 50V
C212	1-135-181-21	TANTALUM CHIP	4.7uF 20% 6.3V
C213	1-163-006-11	CERAMIC CHIP	560PF 10% 50V
C214	1-104-555-11	FILM CHIP	0.022uF 5% 16V
C215	1-135-177-21	TANTALUM CHIP	1uF 20% 20V
C216	1-104-547-11	FILM CHIP	0.0047uF 5% 16V
C217	1-163-121-00	CERAMIC CHIP	150PF 5% 50V
C218	1-104-551-11	FILM CHIP	0.01uF 5% 16V
C219	1-135-201-11	TANTALUM CHIP	10uF 20% 4V
C220	1-163-024-00	CERAMIC CHIP	0.018uF 10% 50V
C221	1-163-024-00	CERAMIC CHIP	0.018uF 10% 50V
C222	1-126-193-11	ELECT	1uF 20% 50V
C223	1-135-072-21	TANTALUM CHIP	0.22uF 10% 35V
C224	1-104-559-11	FILM CHIP	0.047uF 5% 16V
C225	1-104-559-11	FILM CHIP	0.047uF 5% 16V
C226	1-104-559-11	FILM CHIP	0.047uF 5% 16V
C227	1-135-070-00	TANTALUM CHIP	0.1uF 10% 35V
C228	1-135-072-21	TANTALUM CHIP	0.22uF 10% 35V
C229	1-163-020-00	CERAMIC CHIP	0.0082uF 10% 50V
C230	1-126-190-11	ELECT	0.33uF 20% 50V
C231	1-135-177-21	TANTALUM CHIP	1uF 20% 20V
C232	1-135-177-21	TANTALUM CHIP	1uF 20% 20V
C233	1-104-551-11	FILM CHIP	0.01uF 5% 16V
C234	1-163-011-11	CERAMIC CHIP	0.0015uF 10% 50V
C235	1-135-177-21	TANTALUM CHIP	1uF 20% 20V
C236	1-135-177-21	TANTALUM CHIP	1uF 20% 20V
C237	1-126-205-11	ELECT CHIP	47uF 20% 6.3V
C238	1-126-206-11	ELECT CHIP	100uF 20% 6.3V
C239	1-126-601-11	ELECT CHIP	2.2uF 20% 50V
C241	1-163-007-11	CERAMIC CHIP	680PF 10% 50V
C242	1-135-070-00	TANTALUM CHIP	0.1uF 10% 35V
C243	1-135-179-21	TANTALUM CHIP	2.2uF 10% 16V
C244	1-135-210-11	TANTALUM CHIP	4.7uF 20% 10V
C245	1-104-551-11	FILM CHIP	0.01uF 5% 16V
C246	1-104-553-11	FILM CHIP	0.015uF 5% 16V
C247	1-104-552-11	FILM CHIP	0.012uF 5% 16V
C248	1-104-553-11	FILM CHIP	0.015uF 5% 16V
C249	1-109-809-91	CAP. CHIP MICA	2.2PF 0.25PF 100V
C251	1-163-988-11	CERAMIC CHIP	180PF 5% 100V
C252	1-163-009-11	CERAMIC CHIP	0.001uF 10% 50V
C253	1-163-011-11	CERAMIC CHIP	0.0015uF 10% 50V
C254	1-163-117-00	CERAMIC CHIP	100PF 5% 50V
C255	1-163-006-11	CERAMIC CHIP	560PF 10% 50V
C301	1-126-395-11	ELECT	22uF 20% 16V
C302	1-135-159-21	TANTALUM CHIP	10uF 10% 20V
C303	1-124-779-00	ELECT CHIP	10uF 20% 16V

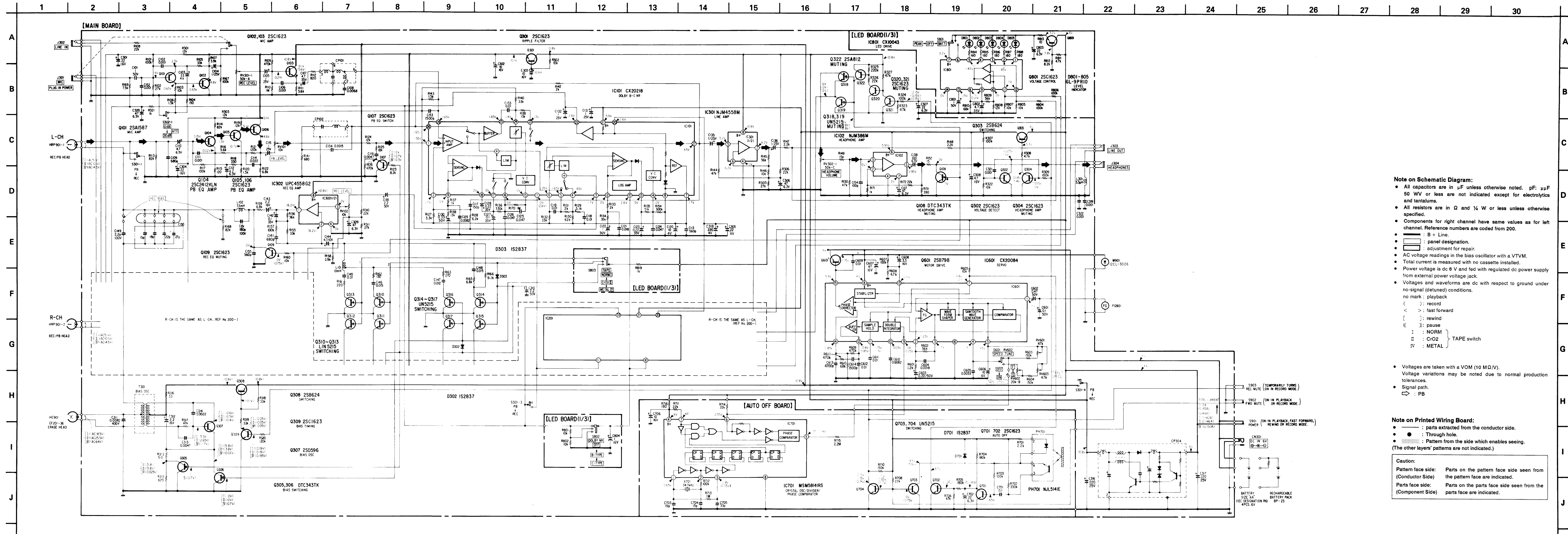
Ref. No.	Part No.	Description	Remark
C304	1-126-395-11	ELECT	22uF 20% 16V
C305	1-135-202-21	TANTALUM CHIP	22uF 20% 4V
C306	1-126-205-11	ELECT CHIP	47uF 20% 6.3V
C307	1-124-778-00	ELECT CHIP	22uF 20% 6.3V
C308	1-135-155-21	TANTALUM CHIP	4.7uF 10% 16V
C309	1-126-205-11	ELECT CHIP	47uF 20% 6.3V
C310	1-126-601-11	ELECT CHIP	2.2uF 20% 50V
C311	1-130-896-00	FILM	0.0082uF 5% 400V
C312	1-135-179-21	TANTALUM CHIP	2.2uF 10% 16V
C313	1-104-547-11	FILM CHIP	0.0047uF 5% 16V
C314	1-164-161-11	CERAMIC CHIP	0.0022uF 10% 100V
C316	1-124-120-11	ELECT	220uF 20% 25V
C317	1-124-120-11	ELECT	220uF 20% 25V
C318	1-126-246-11	ELECT CHIP	220uF 20% 4V
C319	1-163-009-11	CERAMIC CHIP	0.001uF 10% 50V
C320	1-126-205-11	ELECT CHIP	47uF 20% 6.3V
C321	1-163-009-11	CERAMIC CHIP	0.001uF 10% 50V
C322	1-163-009-11	CERAMIC CHIP	0.001uF 10% 50V
C601	1-126-187-11	ELECT	0.1uF 20% 50V
C602	1-126-191-11	ELECT	0.47uF 20% 50V
C603	1-126-189-11	ELECT	0.22uF 20% 50V
C604	1-163-012-00		

SECTION 4 DIAGRAMS
 PRINTED WIRING BOARDS
 (Service Manual see pages 20 to 25)

• Semiconductor Location

Ref. No.	Location
D302	H-21
D303	I-20
D701	E-30
D801	G-5
D802	G-5
D803	F-5
D804	F-5
D805	F-5
IC101	G-24
IC102	I-23
IC201	F-26
IC202	I-21
IC301	J-25
IC302	J-19
IC601	J-28
IC701	E-30
IC801	F-4
PH701	F-30
Q101	F-19
Q102	F-19
Q103	E-19
Q104	E-21
Q105	E-22
Q106	F-22
Q107	F-22
Q108	I-19
Q109	J-22
Q201	G-20
Q202	F-20
Q203	E-20
Q204	G-21
Q205	G-21
Q206	G-21
Q207	F-22
Q208	H-19
Q209	J-22
Q301	E-20
Q302	J-25
Q303	J-24
Q304	J-24
Q305	J-26
Q306	J-26
Q307	I-27
Q308	I-26
Q309	I-26
Q310	H-19
Q311	H-20
Q312	H-19
Q313	H-20
Q314	H-21
Q315	H-21
Q316	G-21
Q317	G-21
Q318	E-22
Q319	E-23
Q320	E-23
Q321	F-22
Q322	E-22
Q601	J-27
Q701	F-31
Q702	E-31
Q703	F-31
Q704	E-31
Q801	G-4





Note on Schematic Diagram:

- All capacitors are in μF unless otherwise noted. pF : μF 50 WV or less are not indicated except for electrolytics and tantalums.
- All resistors are in Ω and $\frac{1}{4}\text{W}$ or less unless otherwise specified.
- Components for right channel have same values as for left channel. Reference numbers are coded from 200.
- : B + Line.
- : panel designation.
- : adjustment for repair.
- AC voltage readings in the bias oscillator with a VTVM.
- Total current is measured with no cassette installed.
- Power voltage is dc 6 V and fed with regulated dc power supply from external power voltage jack.
- Voltages and waveforms are dc with respect to ground under no-signal (detuned) conditions.
- no mark : playback
- () : record
- < > : fast forward
- [] : rewind
- () : pause
- I : NORM
- II : CrO2
- IV : METAL

- Voltages are taken with a VOM (10 M Ω /V). Voltage variations may be noted due to normal production tolerances.
- Signal path.
- : PB

Note on Printed Wiring Board:

- : parts extracted from the conductor side.
- : Through hole.
- : Pattern from the side which enables seeing. (The other layers' patterns are not indicated.)

Caution:

- Pattern face side: Parts on the pattern face side seen from (Conductor Side) the pattern face are indicated.
- Parts face side: Parts on the parts face side seen from the (Component Side) parts face are indicated.

MAIN

MAIN

MAIN

Ref. No.	Part No.	Description	Remark
<p>< IC ></p>			
IC101	8-752-070-19	IC CX20218-T6	
IC102	8-759-700-50	IC NJM386M	
IC201	8-752-070-19	IC CX20218-T6	
IC202	8-759-700-50	IC NJM386M	
IC301	8-759-100-96	IC uPC455862	
IC302	8-759-100-96	IC uPC455862	
IC601	8-759-909-45	IC CX20084	
<p>< JACK ></p>			
J301	1-507-794-31	JACK, SMALL TYPE (WITH SWITCH) (MIC)	
J302	1-507-929-41	JACK (LINE IN)	
J303	1-507-929-41	JACK (LINE OUT)	
J304	1-507-929-11	JACK (HEADPHONES)	
<p>< COIL ></p>			
L101	1-408-682-00	INDUCTOR 10mH	
L102	1-408-930-00	INDUCTOR 33mH	
L201	1-408-682-00	INDUCTOR 10mH	
L202	1-408-930-00	INDUCTOR 33mH	
L301	1-410-198-51	INDUCTOR CHIP 3.3uH	
<p>< TRANSISTOR ></p>			
Q101	8-729-013-29	TRANSISTOR 2SA1587-GRBL-TE85L	
Q102	8-729-120-28	TRANSISTOR 2SC1623-L5L6	
Q103	8-729-120-28	TRANSISTOR 2SC1623-L5L6	
Q104	8-729-016-80	TRANSISTOR 2SC2412KLN-T146-R	
Q105	8-729-120-28	TRANSISTOR 2SC1623-L5L6	
Q106	8-729-120-28	TRANSISTOR 2SC1623-L5L6	
Q107	8-729-120-28	TRANSISTOR 2SC1623-L5L6	
Q108	8-729-920-31	TRANSISTOR DTC343TK	
Q109	8-729-120-28	TRANSISTOR 2SC1623-L5L6	
Q201	8-729-013-29	TRANSISTOR 2SA1587-GRBL-TE85L	
Q202	8-729-120-28	TRANSISTOR 2SC1623-L5L6	
Q203	8-729-120-28	TRANSISTOR 2SC1623-L5L6	
Q204	8-729-016-80	TRANSISTOR 2SC2412KLN-T146-R	
Q205	8-729-120-28	TRANSISTOR 2SC1623-L5L6	
Q206	8-729-120-28	TRANSISTOR 2SC1623-L5L6	
Q207	8-729-120-28	TRANSISTOR 2SC1623-L5L6	
Q208	8-729-920-31	TRANSISTOR DTC343TK	
Q209	8-729-120-28	TRANSISTOR 2SC1623-L5L6	
Q301	8-729-120-28	TRANSISTOR 2SC1623-L5L6	
Q302	8-729-120-28	TRANSISTOR 2SC1623-L5L6	
Q303	8-729-162-45	TRANSISTOR 2SB624-BV5	
Q304	8-729-120-28	TRANSISTOR 2SC1623-L5L6	
Q305	8-729-920-31	TRANSISTOR DTC343TK	
Q306	8-729-920-31	TRANSISTOR DTC343TK	
Q307	8-729-141-75	TRANSISTOR 2SD5960V345	

Ref. No.	Part No.	Description	Remark
Q308	8-729-162-45	TRANSISTOR 2SB624-BV5	
Q309	8-729-120-28	TRANSISTOR 2SC1623-L5L6	
Q310	8-729-420-50	TRANSISTOR UNS215	
Q311	8-729-420-50	TRANSISTOR UNS215	
Q312	8-729-420-50	TRANSISTOR UNS215	
Q313	8-729-420-50	TRANSISTOR UNS215	
Q314	8-729-420-50	TRANSISTOR UNS215	
Q315	8-729-420-50	TRANSISTOR UNS215	
Q316	8-729-420-50	TRANSISTOR UNS215	
Q317	8-729-420-50	TRANSISTOR UNS215	
Q318	8-729-420-50	TRANSISTOR UNS215	
Q319	8-729-420-50	TRANSISTOR UNS215	
Q320	8-729-120-28	TRANSISTOR 2SC1623-L5L6	
Q321	8-729-120-28	TRANSISTOR 2SC1623-L5L6	
Q322	8-729-216-22	TRANSISTOR 2SA1162-G	
Q601	8-729-101-07	TRANSISTOR 2SB798-DL	
<p>< RESISTOR ></p>			
R101	1-216-097-00	METAL CHIP 100K 5% 1/10W	
R102	1-216-083-00	METAL CHIP 27K 5% 1/10W	
R103	1-216-073-00	METAL CHIP 10K 5% 1/10W	
R104	1-216-029-00	METAL CHIP 150 5% 1/10W	
R105	1-216-085-00	METAL CHIP 33K 5% 1/10W	
R106	1-216-053-00	METAL CHIP 1.5K 5% 1/10W	
R107	1-216-063-00	METAL CHIP 3.9K 5% 1/10W	
R108	1-216-081-00	METAL CHIP 22K 5% 1/10W	
R109	1-216-113-00	METAL CHIP 470K 5% 1/10W	
R110	1-216-121-00	METAL CHIP 1M 5% 1/10W	
R111	1-216-067-00	METAL CHIP 5.6K 5% 1/10W	
R112	1-216-047-00	METAL CHIP 820 5% 1/10W	
R113	1-216-095-00	METAL CHIP 82K 5% 1/10W	
R114	1-216-095-00	METAL CHIP 82K 5% 1/10W	
R115	1-216-027-00	METAL CHIP 120 5% 1/10W	
R116	1-216-067-00	METAL CHIP 5.6K 5% 1/10W	
R117	1-216-097-00	METAL CHIP 100K 5% 1/10W	
R118	1-216-037-00	METAL CHIP 330 5% 1/10W	
R119	1-216-075-00	METAL CHIP 12K 5% 1/10W	
R120	1-216-053-00	METAL CHIP 1.5K 5% 1/10W	
R121	1-216-099-00	METAL CHIP 120K 5% 1/10W	
R122	1-216-069-00	METAL CHIP 6.8K 5% 1/10W	
R123	1-216-071-00	METAL CHIP 8.2K 5% 1/10W	
R124	1-216-075-00	METAL CHIP 12K 5% 1/10W	
R125	1-216-079-00	METAL CHIP 18K 5% 1/10W	
R126	1-216-113-00	METAL CHIP 470K 5% 1/10W	
R127	1-216-061-00	METAL CHIP 3.3K 5% 1/10W	
R128	1-216-068-00	METAL CHIP 6.2K 5% 1/10W	
R129	1-216-066-00	METAL CHIP 5.1K 5% 1/10W	
R130	1-216-092-00	METAL GLAZE 62K 5% 1/10W	

Ref. No.	Part No.	Description	Remark
R131	1-216-056-00	METAL GLAZE 2K 5% 1/10W	
R132	1-216-085-00	METAL CHIP 33K 5% 1/10W	
R133	1-216-056-00	METAL GLAZE 2K 5% 1/10W	
R134	1-216-689-11	METAL CHIP 39K 0.5% 1/10W	
R135	1-216-090-00	METAL CHIP 51K 5% 1/10W	
R136	1-216-109-00	METAL CHIP 330K 5% 1/10W	
R137	1-216-049-00	METAL CHIP 1K 5% 1/10W	
R138	1-216-076-00	METAL CHIP 13K 5% 1/10W	
R139	1-216-076-00	METAL CHIP 13K 5% 1/10W	
R140	1-216-085-00	METAL CHIP 33K 5% 1/10W	
R141	1-216-045-00	METAL CHIP 680 5% 1/10W	
R142	1-216-056-00	METAL GLAZE 2K 5% 1/10W	
R143	1-216-053-00	METAL CHIP 1.5K 5% 1/10W	
R144	1-216-089-91	METAL GLAZE 47K 5% 1/10W	
R145	1-216-091-00	METAL CHIP 56K 5% 1/10W	
R146	1-216-073-00	METAL CHIP 10K 5% 1/10W	
R147	1-216-057-00	METAL CHIP 2.2K 5% 1/10W	
R148	1-216-057-00	METAL CHIP 2.2K 5% 1/10W	
R149	1-216-077-00	METAL CHIP 15K 5% 1/10W	
R150	1-216-089-91	METAL GLAZE 47K 5% 1/10W	
R151	1-216-039-00	METAL CHIP 390 5% 1/10W	
R152	1-216-005-00	METAL CHIP 15 5% 1/10W	
R154	1-216-108-00	METAL GLAZE 300K 5% 1/10W	
R155	1-216-085-00	METAL CHIP 33K 5% 1/10W	
R156	1-216-091-00	METAL CHIP 56K 5% 1/10W	
R157	1-216-097-00	METAL CHIP 100K 5% 1/10W	
R158	1-216-063-00	METAL CHIP 3.9K 5% 1/10W	
R159	1-216-069-00	METAL CHIP 6.8K 5% 1/10W	
R160	1-216-073-00	METAL CHIP 10K 5% 1/10W	
R161	1-216-033-00	METAL CHIP 220 5% 1/10W	
R162	1-216-029-00	METAL CHIP 150 5% 1/10W	
R163	1-216-035-00	METAL CHIP 270 5% 1/10W	
R165	1-216-069-00	METAL CHIP 6.8K 5% 1/10W	
R166	1-216-072-00	METAL CHIP 9.1K 5% 1/10W	
R167	1-216-097-00	METAL CHIP 100K 5% 1/10W	
R168	1-216-095-00	METAL CHIP 82K 5% 1/10W	
R169	1-216-070-00	METAL CHIP 7.5K 5% 1/10W	
R170	1-216-121-00	METAL CHIP 1M 5% 1/10W	
R171	1-216-049-00	METAL CHIP 1K 5% 1/10W	
R172	1-216-081-00	METAL CHIP 22K 5% 1/10W	
R201	1-216-097-00	METAL CHIP 100K 5% 1/10W	
R202	1-216-083-00	METAL CHIP 27K 5% 1/10W	
R203	1-216-073-00	METAL CHIP 10K 5% 1/10W	
R204	1-216-029-00	METAL CHIP 150 5% 1/10W	
R205	1-216-085-00	METAL CHIP 33K 5% 1/10W	
R206	1-216-053-00	METAL CHIP 1.5K 5% 1/10W	
R207	1-216-063-00	METAL CHIP 3.9K 5% 1/10W	
R208	1-216-081-00	METAL CHIP 22K 5% 1/10W	
R209	1-216-113-00	METAL CHIP 470K 5% 1/10W	

Ref. No.	Part No.	Description	Remark
R210	1-216-121-00	METAL CHIP 1M 5% 1/10W	
R211	1-216-067-00	METAL CHIP 5.6K 5% 1/10W	
R212	1-216-047-00	METAL CHIP 820 5% 1/10W	
R213	1-216-095-00	METAL CHIP 82K 5% 1/10W	
R214	1-216-095-00	METAL CHIP 82K 5% 1/10W	
R215	1-216-027-00	METAL CHIP 120 5% 1/10W	
R216	1-216-067-00	METAL CHIP 5.6K 5% 1/10W	
R217	1-216-097-00	METAL CHIP 100K 5% 1/10W	
R218	1-216-037-00	METAL CHIP 330 5% 1/10W	
R219	1-216-075-00	METAL CHIP 12K 5% 1/10W	
R220	1-216-053-00	METAL CHIP 1.5K 5% 1/10W	
R221	1-216-099-00	METAL CHIP 120K 5% 1/10W	
R222	1-216-069-00	METAL CHIP 6.8K 5% 1/10W	
R223	1-216-071-00	METAL CHIP 8.2K 5% 1/10W	
R224	1-216-075-00	METAL CHIP 12K 5% 1/10W	
R225	1-216-079-00	METAL CHIP 18K 5% 1/10W	
R226	1-216-113-00	METAL CHIP 470K 5% 1/10W	
R227	1-216-061-00	METAL CHIP 3.3K 5% 1/10W	
R228	1-216-068-00	METAL CHIP 6.2K 5% 1/10W	
R229	1-216-066-00	METAL CHIP 5.1K 5% 1/10W	
R230	1-216-092-00	METAL GLAZE 62K 5% 1/10W	
R231	1-216-056-00	METAL GLAZE 2K 5% 1/10W	
R232	1-216-085-00	METAL CHIP 33K 5% 1/10W	
R233	1-216-056-00	METAL GLAZE 2K 5% 1/10W	
R234	1-216-689-11	METAL CHIP 39K 0.5% 1/10W	
R235	1-216-090-00	METAL CHIP 51K 5% 1/10W	
R236	1-216-109-00	METAL CHIP 330K 5% 1/10W	
R237	1-216-049-00	METAL CHIP 1K 5% 1/10W	
R238	1-216-076-00	METAL CHIP 13K 5% 1/10W	
R239	1-216-076-00	METAL CHIP 13K 5% 1/10W	
R240	1-216-085-00	METAL CHIP 33K 5% 1/10W	
R241	1-216-045-00	METAL CHIP 680 5% 1/10W	
R242	1-216-056-00	METAL GLAZE 2K 5% 1/10W	
R243	1-216-053-00	METAL CHIP 1.5K 5% 1/10W	
R244	1-216-089-91	METAL GLAZE 47K 5% 1/10W	
R245	1-216-091-00	METAL CHIP 56K 5% 1/10W	
R246	1-216-073-00	METAL CHIP 10K 5% 1/10W	
R247	1-216-057-00	METAL CHIP 2.2K 5% 1/10W	
R248	1-216-057-00	METAL CHIP 2.2K 5% 1/10W	
R249	1-216-077-00	METAL CHIP 15K 5% 1/10W	
R250	1-216-089-91	METAL GLAZE 47K 5% 1/10W	
R251	1-216-039-00	METAL CHIP 390 5% 1/10W	
R252	1-216-005-00	METAL CHIP 15 5% 1/10W	
R254	1-216-108-00	METAL GLAZE 300K 5% 1/10W	
R255	1-216-085-00	METAL CHIP 33K 5% 1/10W	
R256	1-216-091-00	METAL CHIP 56K 5% 1/10W	
R257	1-216-097-00	METAL CHIP 100K 5% 1/10W	
R258	1-216-063-00	METAL CHIP 3.9K 5% 1/10W	

Ref. No.	Part No.	Description	Remark
R259	1-216-069-00	METAL CHIP 6.8K 5% 1/10W	
R260	1-216-073-00	METAL CHIP 10K 5% 1/10W	
R261	1-216-033-00	METAL CHIP 220 5% 1/10W	
R262	1-216-029-00	METAL CHIP 150 5% 1/10W	
R263	1-216-035-00	METAL CHIP 270 5% 1/10W	
R265	1-216-069-00	METAL CHIP 6.8K 5% 1/10W	
R266	1-216-072-00	METAL CHIP 9.1K 5% 1/10W	
R267	1-216-097-00	METAL CHIP 100K 5% 1/10W	
R268	1-216-095-00	METAL CHIP 82K 5% 1/10W	
R269	1-216-070-00	METAL CHIP 7.5K 5% 1/10W	
R270			

WM-D6C/TC-D6C

SONY[®]

SERVICE MANUAL

US Model

WM-D6C/TC-D6C

Canadian Model

AEP Model

UK Model

E Model

WM-D6C

SUPPLEMENT-3

File this supplement with the service manual.

Subject: French model addition (WM-D6C)

(ECN-WM801529)

• French Model Addition

French model is almost the same as AEP model.

As only the difference from AEP model is described in this manual, please refer to WM-D6C/TC-D6C service manual (9-951-385-00) previously issued for other information

• Difference Table

Page	AEP Model						French Model					
	Ref. No.	Part No.	Description	Remark			Ref. No.	Part No.	Description	Remark		
(14)	*	A-3060-812-A	MAIN BOARD, COMPLETE *****					A-3021-241-A	MAIN BOARD, COMPLETE *****			
	R152	1-216-005-00	METAL CHIP	15	5%	1/10W	R152	1-216-042-00	METAL CHIP	510	5%	1/10W
	R252	1-216-005-00	METAL CHIP	15	5%	1/10W	R252	1-216-042-00	METAL CHIP	510	5%	1/10W

NOTE:

- Items marked "*" are not stocked since they are seldom required for routine service. Some delay should be anticipated when ordering these items.
- Page in () indicates the page in Service Manual Supplement-2.

MEMO

WM-D6C/TC-D6C

SONY®

SERVICE MANUAL

Ver 1.1 2001.06

US Model
WM-D6C/TC-D6C

Canadian Model
AEP Model
UK Model
E Model
WM-D6C

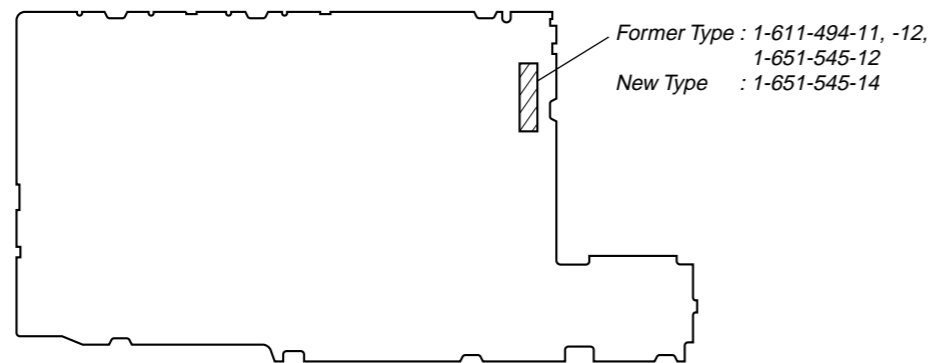
SUPPLEMENT-4

Subject: Change of servo circuit

(ECN-WMA00831)

• NEW/FORMER TYPE DISCRIMINATION

– MAIN BOARD (Conductor Side) –



1. DIAGRAMS

1-1. NOTE FOR PRINTED WIRING BOARDS AND SCHEMATIC DIAGRAMS

Note on Printed Wiring Boards:

- : parts extracted from the component side.
- : parts extracted from the conductor side.
- : Through hole.
- : Pattern from the side which enables seeing.
(The other layers' patterns are not indicated.)

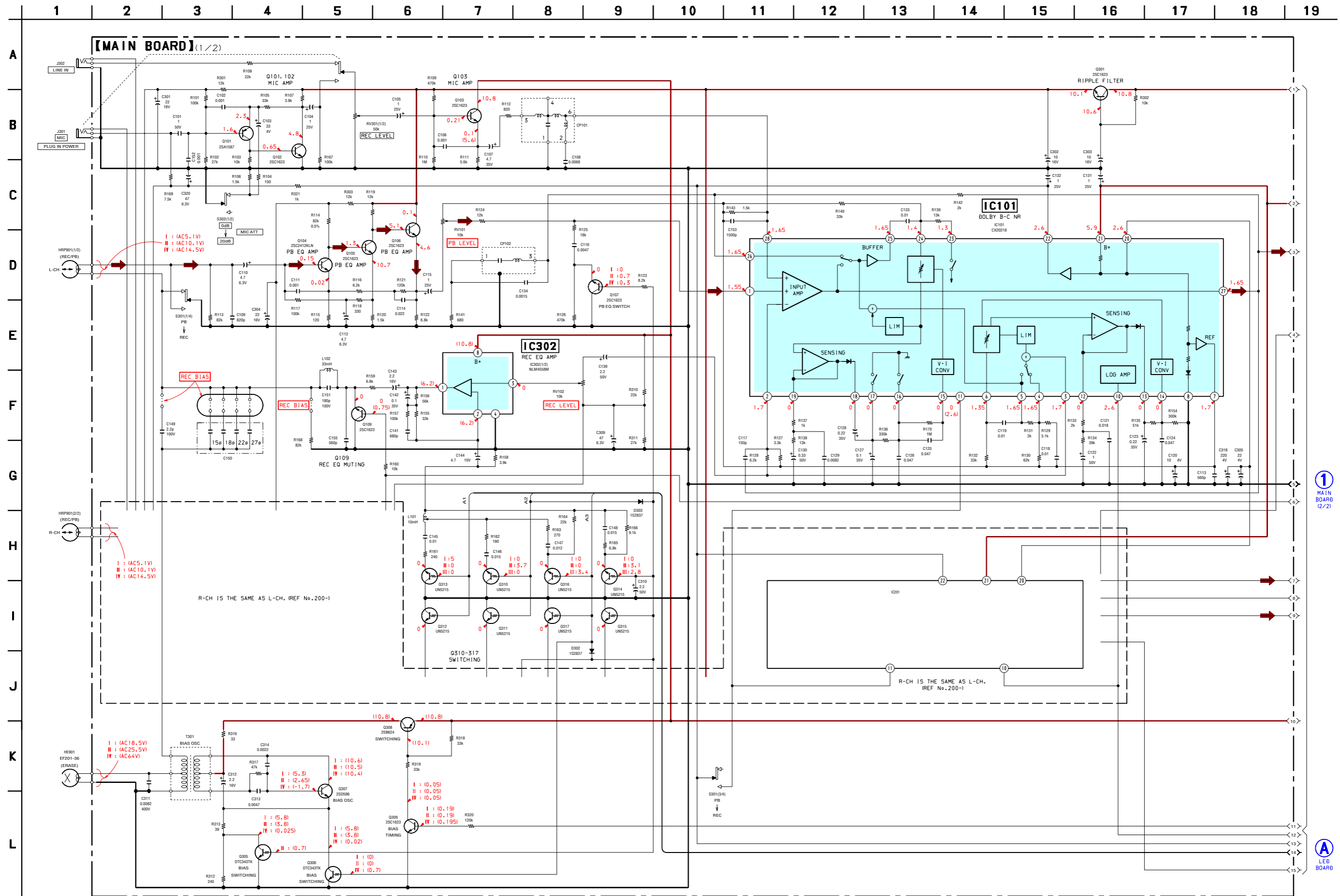
Caution:

- | | |
|--|--|
| Pattern face side:
(Conductor Side) | Parts on the pattern face side seen from the pattern face are indicated. |
| Parts face side:
(Component Side) | Parts on the parts face side seen from the parts face are indicated. |

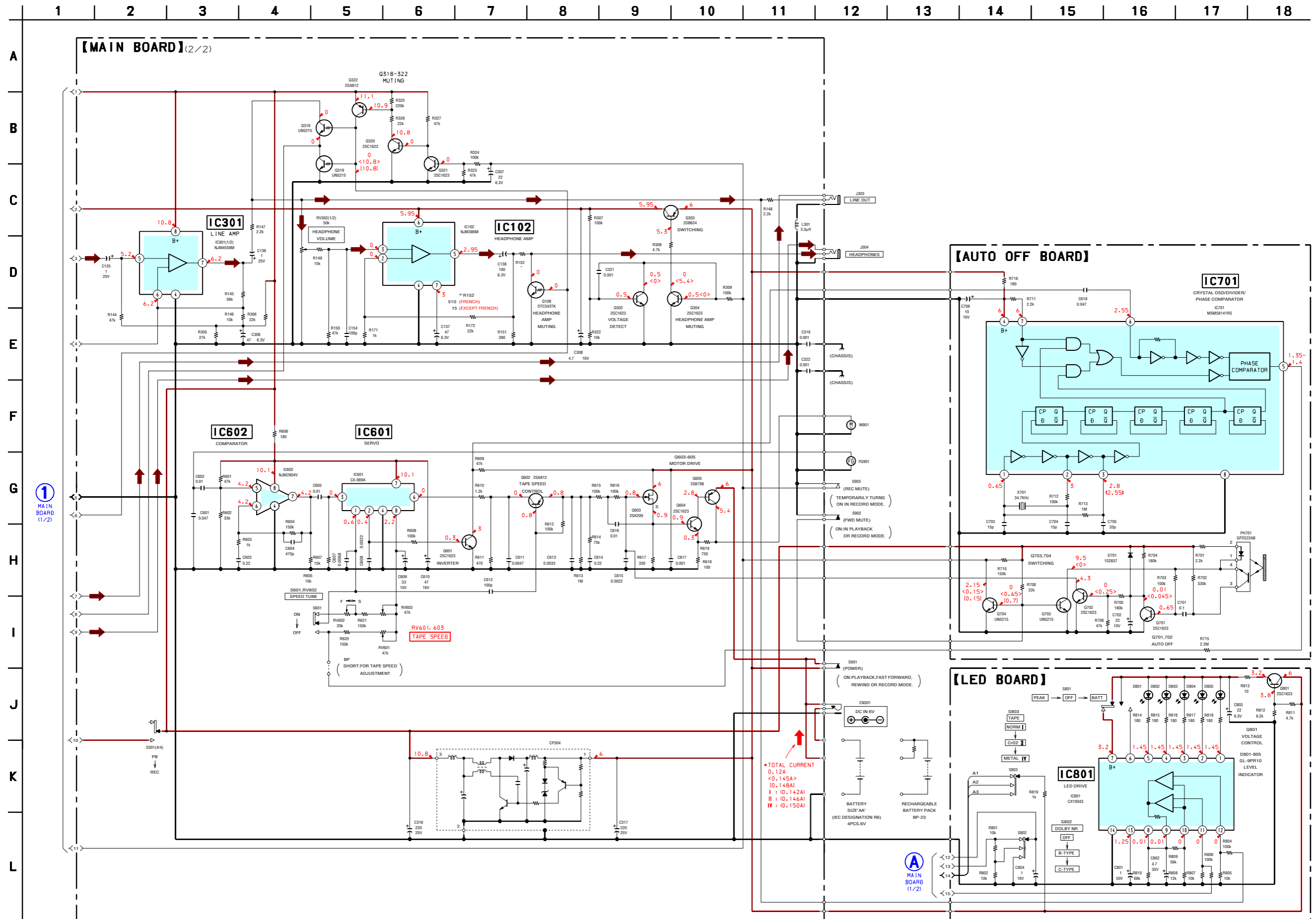
Note on Schematic Diagram:

- All capacitors are in μF unless otherwise noted. pF: μF 50 WV or less are not indicated except for electrolytics and tantalums.
- All resistors are in Ω and $1/4\text{W}$ or less unless otherwise specified.
- % : indicates tolerance.
- Components for right channel have same values as for left channel. Reference numbers are coded from 200.
- : panel designation.
- : B+ Line.
- : adjustment for repair.
- AC voltage readings in the bias oscillator with a level meter.
- Total current is measured with no cassette installed.
- Power voltage is dc 6 V and fed with regulated dc power supply from external power voltage jack.
- Voltages are dc with respect to ground under no-signal conditions.
- no mark : playback
- () : record
- < > : fast forward
- [] : rewind
- << >> : pause
- I : NORM
- II : CrO2
- IV : METAL
- Voltages are taken with a VOM (Input impedance 10 M Ω). Voltage variations may be noted due to normal production tolerances.
- Signal path.
- : playback

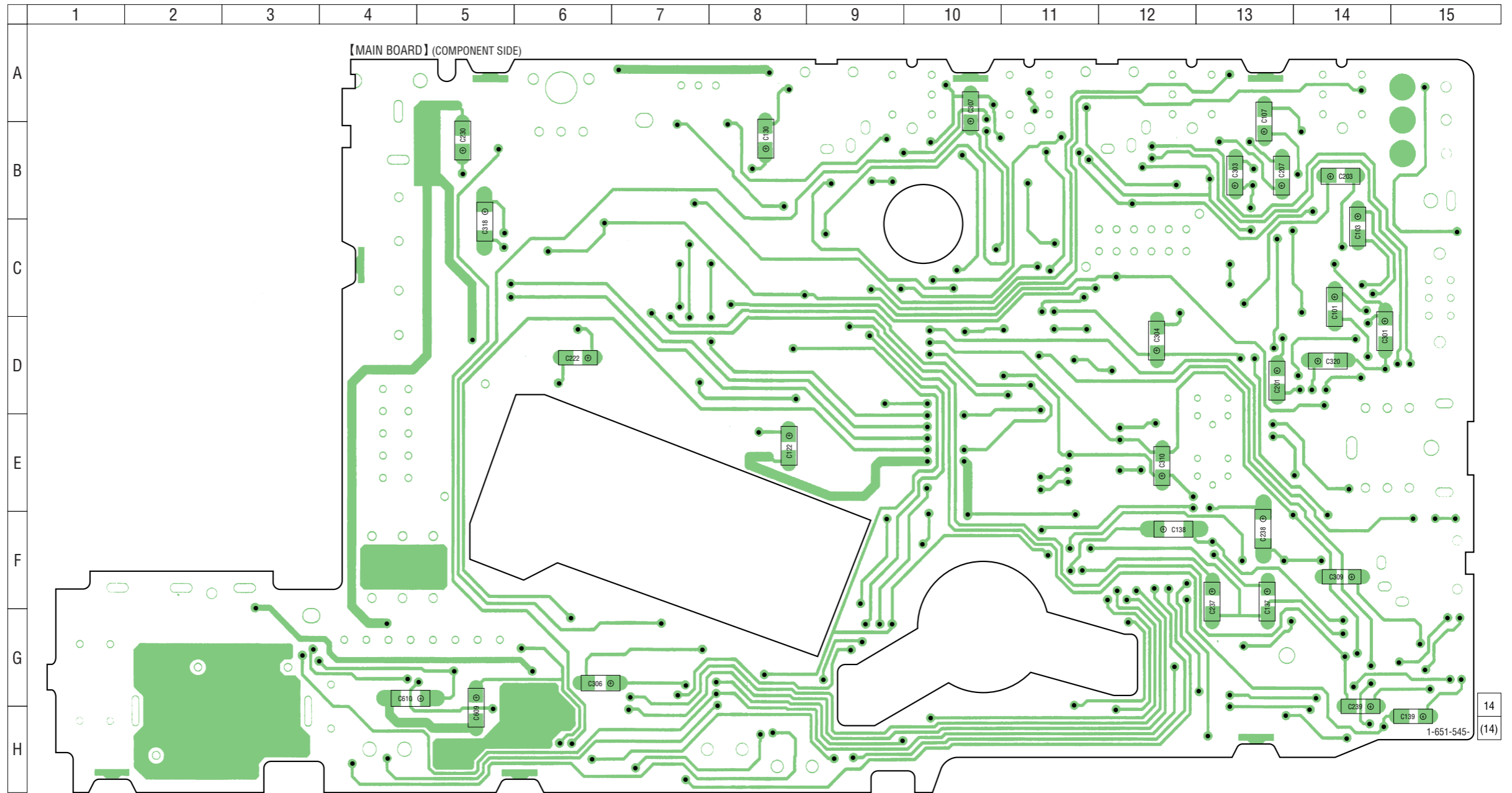
1-2. SCHEMATIC DIAGRAM - MAIN Section (1/2) -



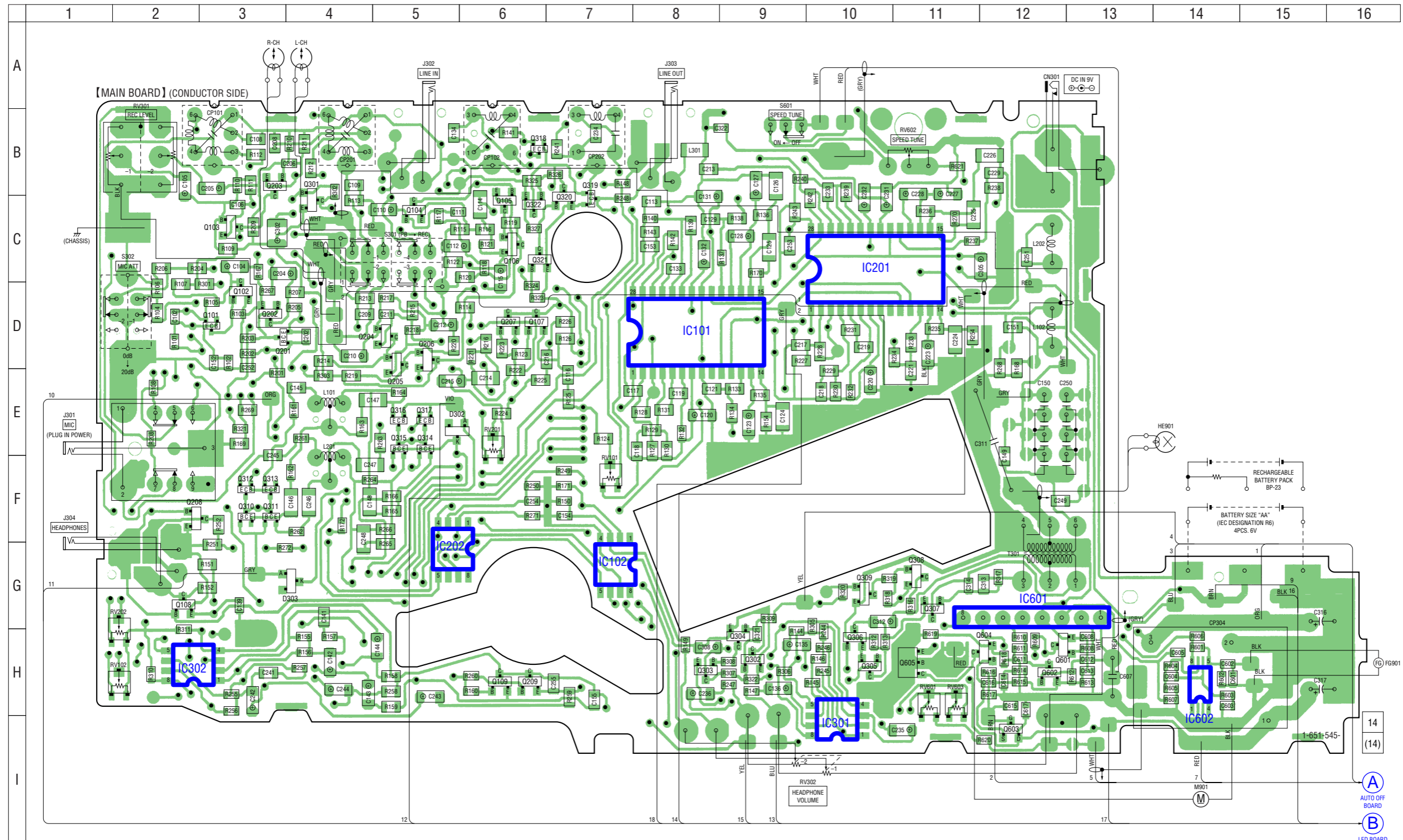
1-3. SCHEMATIC DIAGRAM – MAIN Section (2/2) –



1-4. PRINTED WIRING BOARD – MAIN Board (Component Side) –



1-5. PRINTED WIRING BOARD – MAIN Board (Conductor Side) –



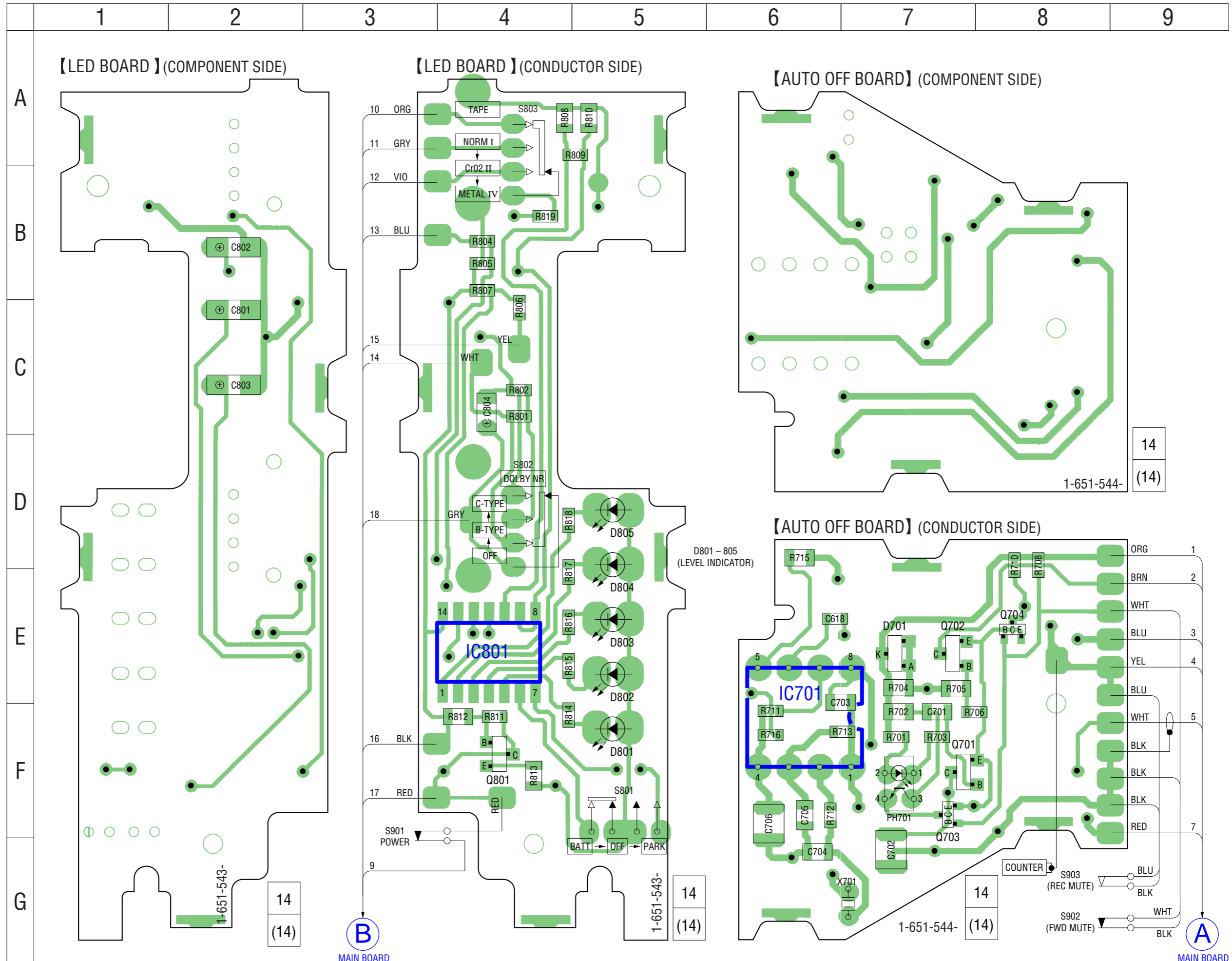
• Semiconductor Location

Ref. No.	Location
D302	E-5
D303	G-4
IC101	D-8
IC102	G-7
IC201	C-10
IC202	G-5
IC301	I-10
IC302	H-2
IC601	G-12
IC602	H-14
Q101	D-3
Q102	D-3
Q103	C-3
Q104	C-5
Q105	C-6
Q106	C-6
Q107	D-6
Q108	G-2
Q109	H-6
Q201	D-3
Q202	D-3
Q203	B-3
Q204	D-5
Q205	D-5
Q206	D-5
Q207	D-5
Q208	F-2
Q209	H-6
Q301	C-4
Q302	H-9
Q303	H-8
Q304	H-9
Q305	H-10
Q306	H-10
Q307	G-11
Q308	G-11
Q309	G-10
Q310	F-3
Q311	F-3
Q312	F-3
Q313	F-3
Q314	E-5
Q315	E-5
Q316	E-5
Q317	E-5
Q318	B-6
Q319	C-7
Q320	C-7
Q321	C-6
Q322	C-6
Q601	H-12
Q602	H-12
Q603	I-12
Q604	H-12
Q605	H-11

1-6. PRINTED WIRING BOARDS – LED/AUTO OFF Boards –

• Semiconductor Location

Ref. No.	Location
D701	E-7
D801	F-5
D802	E-5
D803	E-5
D804	D-5
D805	D-5
IC701	F-6
IC801	E-4
PH701	F-7
Q701	F-7
Q702	E-7
Q703	F-7
Q704	E-8
Q801	F-4



Column	Wire Color
1	ORG
2	BRN
3	WHT
4	BLU
5	YEL
6	BLU
7	WHT
8	BLK
9	BLK

14
(14)

14
(14)

B
MAIN BOARD

14
(14)

14
(14)

A
MAIN BOARD

2. ELECTRICAL PARTS LIST

AUTO OFF

LED

NOTE:

- Due to standardization, replacements in the parts list may be different from the parts specified in the diagrams or the components used on the set.
- -XX and -X mean standardized parts, so they may have some difference from the original one.
- RESISTORS
All resistors are in ohms.
METAL: Metal-film resistor.
METAL OXIDE: Metal oxide-film resistor.
F: nonflammable

- Items marked “*” are not stocked since they are seldom required for routine service. Some delay should be anticipated when ordering these items.
- SEMICONDUCTORS
In each case, u: μ , for example:
uA. . : μ A. . uPA. . : μ PA. .
uPB. . : μ PB. . uPC. . : μ PC. .
uPD. . : μ PD. .
- CAPACITORS
uF: μ F
- COILS
uH: μ H

When indicating parts by reference number, please include the board.

Ref. No.	Part No.	Description	Remark	Ref. No.	Part No.	Description	Remark
	A-3060-814-A	AUTO OFF BOARD, COMPLETE *****				< VIBRATOR >	
*	3-308-430-01	RETAINER, REFLECTOR, PHOTO < CAPACITOR >		X701	1-527-957-00	OSCILLATOR, CRYSTAL (34.7kHz) *****	
C618	1-165-176-11	CERAMIC CHIP 0.047uF 10% 16V		A-3060-816-A	LED BOARD, COMPLETE *****		
C701	1-163-038-00	CERAMIC CHIP 0.1uF 25V		*	3-305-888-00	RETAINER	
C702	1-104-852-11	TANTALUM CHIP 22uF 20% 10V			3-305-897-00	HOLDER, LED	
C703	1-163-097-00	CERAMIC CHIP 15PF 5% 50V			3-557-575-00	SPRING, COMPRESSION	
C704	1-163-097-00	CERAMIC CHIP 15PF 5% 50V			3-831-441-99	SPACER (US)	
C705	1-163-105-00	CERAMIC CHIP 33PF 5% 50V			4-017-441-01	CUSHION (B)	
C706	1-104-913-11	TANTALUM CHIP 10uF 20% 16V			7-627-451-38	SCREW, PRECISION +K 1.4X2	
		< DIODE >				< CAPACITOR >	
D701	8-719-801-78	DIODE 1S2837-T1		C801	1-126-193-11	ELECT 1uF 20% 50V	
		< IC >		C802	1-126-603-11	ELECT CHIP 4.7uF 20% 35V	
IC701	8-759-958-14	IC MSM58141RS		C803	1-124-778-00	ELECT CHIP 22uF 20% 6.3V	
		< PHOTO REFLECTOR >		C804	1-135-177-21	TANTALUM CHIP 1uF 20% 20V	
PH701	8-749-920-99	PHOTO REFLECTOR GP2S22AB				< LED >	
		< TRANSISTOR >		D801	8-719-915-54	LED GL-9PR10 (LEVEL INDICATOR)	
Q701	8-729-120-28	TRANSISTOR 2SC1623-T1L6		D802	8-719-915-54	LED GL-9PR10 (LEVEL INDICATOR)	
Q702	8-729-120-28	TRANSISTOR 2SC1623-T1L6		D803	8-719-915-54	LED GL-9PR10 (LEVEL INDICATOR)	
Q703	8-729-420-50	TRANSISTOR UN5215- (TX)		D804	8-719-915-54	LED GL-9PR10 (LEVEL INDICATOR)	
Q704	8-729-420-50	TRANSISTOR UN5215- (TX)		D805	8-719-915-54	LED GL-9PR10 (LEVEL INDICATOR)	
		< RESISTOR >				< IC >	
R701	1-216-825-11	METAL CHIP 2.2K 5% 1/16W		IC801	8-752-060-72	IC CX10043-T4	
R702	1-216-109-00	METAL CHIP 330K 5% 1/10W				< TRANSISTOR >	
R703	1-216-845-11	METAL CHIP 100K 5% 1/16W		Q801	8-729-120-28	TRANSISTOR 2SC1623-T1L6	
R704	1-216-103-00	METAL CHIP 180K 5% 1/10W				< RESISTOR >	
R705	1-216-103-00	METAL CHIP 180K 5% 1/10W		R801	1-216-833-11	METAL CHIP 10K 5% 1/16W	
R706	1-216-841-11	METAL CHIP 47K 5% 1/16W		R802	1-216-833-11	METAL CHIP 10K 5% 1/16W	
R708	1-216-837-11	METAL CHIP 22K 5% 1/16W		R804	1-216-845-11	METAL CHIP 100K 5% 1/16W	
R710	1-216-847-11	METAL CHIP 150K 5% 1/16W		R805	1-216-833-11	METAL CHIP 10K 5% 1/16W	
R711	1-216-825-11	METAL CHIP 2.2K 5% 1/16W		R806	1-216-845-11	METAL CHIP 100K 5% 1/16W	
R712	1-216-845-11	METAL CHIP 100K 5% 1/16W					
R713	1-216-857-11	METAL CHIP 1M 5% 1/16W		R807	1-216-833-11	METAL CHIP 10K 5% 1/16W	
R715	1-216-129-00	METAL CHIP 2.2M 5% 1/10W		R808	1-216-075-00	METAL CHIP 12K 5% 1/10W	
R716	1-216-812-11	METAL CHIP 180 5% 1/16W		R809	1-216-842-11	METAL CHIP 56K 5% 1/16W	
				R810	1-216-093-11	RES-CHIP 68K 5% 1/10W	

WM-D6C/TC-D6C

LED **MAIN**

Ref. No.	Part No.	Description	Remark
R811	1-216-829-11	METAL CHIP 4.7K 5%	1/16W
R812	1-216-071-00	METAL CHIP 8.2K 5%	1/10W
R813	1-216-001-00	METAL CHIP 10 5%	1/10W
R814	1-216-812-11	METAL CHIP 180 5%	1/16W
R815	1-216-812-11	METAL CHIP 180 5%	1/16W
R816	1-216-812-11	METAL CHIP 180 5%	1/16W
R817	1-216-812-11	METAL CHIP 180 5%	1/16W
R818	1-216-812-11	METAL CHIP 180 5%	1/16W
R819	1-216-821-11	METAL CHIP 1K 5%	1/16W
< SWITCH >			
S801	1-554-746-11	SWITCH, SLIDE (PEAK/BATT)	
S802	1-552-642-00	SWITCH (DOLBY NR)	
S803	1-552-642-00	SWITCH (TAPE)	

* A-3021-241-A	MAIN BOARD, COMPLETE (French)		
A-3060-812-A	MAIN BOARD, COMPLETE (EXCEPT French)		

2-389-320-01	RUBER, (B)		
3-305-801-00	SPRING		
3-305-868-00	KNOB, SPEED CONTROL		
3-305-873-00	TERMINAL BOARD, BATTERY		
3-831-441-99	SPACER		
< CAPACITOR >			
C101	1-128-594-11	ELECT CHIP 1uF 20%	50V
C102	1-162-964-11	CERAMIC CHIP 0.001uF 10%	50V
C103	1-126-207-11	ELECT CHIP 33uF 20%	4V
C104	1-135-177-21	TANTALUM CHIP 1uF 20%	20V
C105	1-135-177-21	TANTALUM CHIP 1uF 20%	20V
C106	1-162-964-11	CERAMIC CHIP 0.001uF 10%	50V
C107	1-126-603-11	ELECT CHIP 4.7uF 20%	35V
C108	1-163-019-00	CERAMIC CHIP 0.0068uF 10%	50V
C109	1-163-008-11	CERAMIC CHIP 820PF 10%	50V
C110	1-135-210-11	TANTALUM CHIP 4.7uF 20%	10V
C111	1-162-964-11	CERAMIC CHIP 0.001uF 10%	50V
C112	1-135-210-11	TANTALUM CHIP 4.7uF 20%	10V
C113	1-163-006-11	CERAMIC CHIP 560PF 10%	50V
C114	1-104-555-11	FILM CHIP 0.022uF 5%	16V
C115	1-135-177-21	TANTALUM CHIP 1uF 20%	20V
C116	1-104-547-11	FILM CHIP 0.0047uF 5%	16V
C117	1-163-121-00	CERAMIC CHIP 150PF 5%	50V
C118	1-104-551-11	FILM CHIP 0.01uF 5%	16V
C119	1-104-551-11	FILM CHIP 0.01uF 5%	16V
C120	1-135-201-11	TANTALUM CHIP 10uF 20%	4V
C121	1-163-024-00	CERAMIC CHIP 0.018uF 10%	50V
C122	1-126-193-11	ELECT 1uF 20%	50V
C123	1-135-072-21	TANTALUM CHIP 0.22uF 10%	35V
C124	1-104-559-11	FILM CHIP 0.047uF 5%	16V
C125	1-104-559-11	FILM CHIP 0.047uF 5%	16V
C126	1-104-559-11	FILM CHIP 0.047uF 5%	16V
C127	1-135-070-00	TANTALUM CHIP 0.1uF 10%	35V
C128	1-135-072-21	TANTALUM CHIP 0.22uF 10%	35V
C129	1-163-020-00	CERAMIC CHIP 0.0082uF 10%	50V
C130	1-126-190-11	ELECT CHIP 0.33uF 20%	50V
C131	1-135-177-21	TANTALUM CHIP 1uF 20%	20V
C132	1-135-177-21	TANTALUM CHIP 1uF 20%	20V

Ref. No.	Part No.	Description	Remark
C133	1-104-551-11	FILM CHIP 0.01uF 5%	16V
C134	1-163-011-11	CERAMIC CHIP 0.0015uF 10%	50V
C135	1-135-177-21	TANTALUM CHIP 1uF 20%	20V
C136	1-135-177-21	TANTALUM CHIP 1uF 20%	20V
C137	1-126-205-11	ELECT CHIP 47uF 20%	6.3V
C138	1-126-206-11	ELECT CHIP 100uF 20%	6.3V
C139	1-126-601-11	ELECT CHIP 2.2uF 20%	50V
C141	1-163-007-11	CERAMIC CHIP 680PF 10%	50V
C142	1-135-070-00	TANTALUM CHIP 0.1uF 10%	35V
C143	1-104-915-11	TANTALUM CHIP 2.2uF 20%	16V
C144	1-135-210-11	TANTALUM CHIP 4.7uF 20%	10V
C145	1-104-551-11	FILM CHIP 0.01uF 5%	16V
C146	1-104-553-11	FILM CHIP 0.015uF 5%	16V
C147	1-104-552-11	FILM CHIP 0.012uF 5%	16V
C148	1-104-553-11	FILM CHIP 0.015uF 5%	16V
C149	1-109-809-11	CAP-CHIP 2.2PF 0.25PF	100V
C150	1-110-500-11	ENCAPSULATED COMPONENT	
C151	1-163-988-11	CERAMIC CHIP 180PF 5%	100V
C152	1-162-964-11	CERAMIC CHIP 0.001uF 10%	50V
C153	1-163-011-11	CERAMIC CHIP 0.0015uF 10%	50V
C154	1-162-953-11	CERAMIC CHIP 100PF 5%	50V
C155	1-163-006-11	CERAMIC CHIP 560PF 10%	50V
C201	1-128-594-11	ELECT CHIP 1uF 20%	50V
C202	1-162-964-11	CERAMIC CHIP 0.001uF 10%	50V
C203	1-126-207-11	ELECT CHIP 33uF 20%	4V
C204	1-135-177-21	TANTALUM CHIP 1uF 20%	20V
C205	1-135-177-21	TANTALUM CHIP 1uF 20%	20V
C206	1-162-964-11	CERAMIC CHIP 0.001uF 10%	50V
C207	1-126-603-11	ELECT CHIP 4.7uF 20%	35V
C208	1-163-019-00	CERAMIC CHIP 0.0068uF 10%	50V
C209	1-163-008-11	CERAMIC CHIP 820PF 10%	50V
C210	1-135-210-11	TANTALUM CHIP 4.7uF 20%	10V
C211	1-162-964-11	CERAMIC CHIP 0.001uF 10%	50V
C212	1-135-210-11	TANTALUM CHIP 4.7uF 20%	10V
C213	1-163-006-11	CERAMIC CHIP 560PF 10%	50V
C214	1-104-555-11	FILM CHIP 0.022uF 5%	16V
C215	1-135-177-21	TANTALUM CHIP 1uF 20%	20V
C216	1-104-547-11	FILM CHIP 0.0047uF 5%	16V
C217	1-163-121-00	CERAMIC CHIP 150PF 5%	50V
C218	1-104-551-11	FILM CHIP 0.01uF 5%	16V
C219	1-104-551-11	FILM CHIP 0.01uF 5%	16V
C220	1-135-201-11	TANTALUM CHIP 10uF 20%	4V
C221	1-163-024-00	CERAMIC CHIP 0.018uF 10%	50V
C222	1-126-193-11	ELECT 1uF 20%	50V
C223	1-135-072-21	TANTALUM CHIP 0.22uF 10%	35V
C224	1-104-559-11	FILM CHIP 0.047uF 5%	16V
C225	1-104-559-11	FILM CHIP 0.047uF 5%	16V
C226	1-104-559-11	FILM CHIP 0.047uF 5%	16V
C227	1-135-070-00	TANTALUM CHIP 0.1uF 10%	35V
C228	1-135-072-21	TANTALUM CHIP 0.22uF 10%	35V
C229	1-163-020-00	CERAMIC CHIP 0.0082uF 10%	50V
C230	1-126-190-11	ELECT CHIP 0.33uF 20%	50V
C231	1-135-177-21	TANTALUM CHIP 1uF 20%	20V
C232	1-135-177-21	TANTALUM CHIP 1uF 20%	20V
C233	1-104-551-11	FILM CHIP 0.01uF 5%	16V
C234	1-163-011-11	CERAMIC CHIP 0.0015uF 10%	50V
C235	1-135-177-21	TANTALUM CHIP 1uF 20%	20V
C236	1-135-177-21	TANTALUM CHIP 1uF 20%	20V

Ref. No.	Part No.	Description	Remark	Ref. No.	Part No.	Description	Remark
C237	1-126-205-11	ELECT CHIP	47uF 20% 6.3V			< CONNECTOR >	
C238	1-126-206-11	ELECT CHIP	100uF 20% 6.3V				
C239	1-126-601-11	ELECT CHIP	2.2uF 20% 50V				
C241	1-163-007-11	CERAMIC CHIP	680PF 10% 50V			< COMPOSITION CIRCUIT BLOCK >	
C242	1-135-070-00	TANTALUM CHIP	0.1uF 10% 35V				
C243	1-104-915-11	TANTALUM CHIP	2.2uF 20% 16V				
C244	1-135-210-11	TANTALUM CHIP	4.7uF 20% 10V				
C245	1-104-551-11	FILM CHIP	0.01uF 5% 16V				
C246	1-104-553-11	FILM CHIP	0.015uF 5% 16V				
C247	1-104-552-11	FILM CHIP	0.012uF 5% 16V				
C248	1-104-553-11	FILM CHIP	0.015uF 5% 16V			< DIODE >	
C249	1-109-809-11	CAP-CHIP	2.2PF 0.25PF 100V	D302	8-719-801-78	DIODE 1S2837-T1	
C250	1-110-500-11	ENCAPSULATED COMPONENT		D303	8-719-801-78	DIODE 1S2837-T1	
C251	1-163-988-11	CERAMIC CHIP	180PF 5% 100V			< IC >	
C252	1-162-964-11	CERAMIC CHIP	0.001uF 10% 50V				
C253	1-163-011-11	CERAMIC CHIP	0.0015uF 10% 50V	IC101	8-752-021-80	IC CX20218-T6	
C254	1-162-953-11	CERAMIC CHIP	100PF 5% 50V	IC102	8-759-700-50	IC NJM386M-T1	
C255	1-163-006-11	CERAMIC CHIP	560PF 10% 50V	IC201	8-752-021-80	IC CX20218-T6	
C301	1-126-395-11	ELECT	22uF 20% 16V	IC202	8-759-700-50	IC NJM386M-T1	
C302	1-104-913-11	TANTALUM CHIP	10uF 20% 16V	IC301	8-759-100-96	IC NJM4558M-TE2	
C303	1-124-779-00	ELECT CHIP	10uF 20% 16V	IC302	8-759-100-96	IC NJM4558M-TE2	
C304	1-126-395-11	ELECT	22uF 20% 16V	IC601	8-759-600-69	IC CX-069A	
C305	1-104-847-11	TANTALUM CHIP	22uF 20% 4V	IC602	8-759-337-40	IC NJM2904V (TE2)	
C306	1-126-205-11	ELECT CHIP	47uF 20% 6.3V			< JACK >	
C307	1-124-778-00	ELECT CHIP	22uF 20% 6.3V				
C308	1-107-686-11	TANTALUM CHIP	4.7uF 20% 16V	J301	1-507-794-31	JACK, SMALL TYPE (WITH SWITCH) (MIC, PLUG IN POWER)	
C309	1-126-205-11	ELECT CHIP	47uF 20% 6.3V	J302	1-507-929-41	JACK (LINE IN)	
C310	1-126-601-11	ELECT CHIP	2.2uF 20% 50V	J303	1-507-929-41	JACK (LINE OUT)	
C311	1-130-896-11	FILM	0.0082uF 5% 400V	J304	1-507-929-11	JACK (HEADPHONES)	
C312	1-104-915-11	TANTALUM CHIP	2.2uF 20% 16V			< COIL >	
C313	1-104-547-11	FILM CHIP	0.0047uF 5% 16V				
C314	1-162-966-11	CERAMIC CHIP	0.0022uF 10% 50V	L101	1-408-682-00	INDUCTOR 10mH	
C316	1-104-666-11	ELECT	220uF 20% 25V	L102	1-408-930-00	INDUCTOR 33mH	
C317	1-104-666-11	ELECT	220uF 20% 25V	L201	1-408-682-00	INDUCTOR 10mH	
C318	1-126-246-11	ELECT CHIP	220uF 20% 4V	L202	1-408-930-00	INDUCTOR 33mH	
C319	1-162-964-11	CERAMIC CHIP	0.001uF 10% 50V	L301	1-410-198-51	INDUCTOR 3.3uH	
C320	1-126-205-11	ELECT CHIP	47uF 20% 6.3V			< TRANSISTOR >	
C321	1-162-964-11	CERAMIC CHIP	0.001uF 10% 50V	Q101	8-729-021-87	TRANSISTOR 2SA1587-GRBL-TE85L	
C322	1-162-964-11	CERAMIC CHIP	0.001uF 10% 50V	Q102	8-729-120-28	TRANSISTOR 2SC1623-T1L6	
C601	1-165-176-11	CERAMIC CHIP	0.047uF 10% 16V	Q103	8-729-120-28	TRANSISTOR 2SC1623-T1L6	
C602	1-162-970-11	CERAMIC CHIP	0.01uF 10% 25V	Q104	8-729-016-81	TRANSISTOR 2SC2412KLN-T146-S	
C603	1-127-715-11	CERAMIC CHIP	0.22uF 10% 16V	Q105	8-729-120-28	TRANSISTOR 2SC1623-T1L6	
C604	1-164-362-11	CERAMIC CHIP	470PF 5% 50V	Q106	8-729-120-28	TRANSISTOR 2SC1623-T1L6	
C605	1-162-970-11	CERAMIC CHIP	0.01uF 10% 25V	Q107	8-729-120-28	TRANSISTOR 2SC1623-T1L6	
C607	1-130-481-00	MYLAR	0.0068uF 5% 50V	Q108	8-729-920-31	TRANSISTOR DTC343TK-T-146	
C608	1-162-966-11	CERAMIC CHIP	0.0022uF 10% 50V	Q109	8-729-120-28	TRANSISTOR 2SC1623-T1L6	
C609	1-126-393-11	ELECT CHIP	33uF 20% 10V	Q201	8-729-021-87	TRANSISTOR 2SA1587-GRBL-TE85L	
C610	1-126-204-11	ELECT CHIP	47uF 20% 16V	Q202	8-729-120-28	TRANSISTOR 2SC1623-T1L6	
C611	1-162-968-11	CERAMIC CHIP	0.0047uF 10% 50V	Q203	8-729-120-28	TRANSISTOR 2SC1623-T1L6	
C612	1-162-953-11	CERAMIC CHIP	100PF 5% 50V	Q204	8-729-016-81	TRANSISTOR 2SC2412KLN-T146-S	
C613	1-162-967-11	CERAMIC CHIP	0.0033uF 10% 50V	Q205	8-729-120-28	TRANSISTOR 2SC1623-T1L6	
C614	1-127-715-11	CERAMIC CHIP	0.22uF 10% 16V	Q206	8-729-120-28	TRANSISTOR 2SC1623-T1L6	
C615	1-162-966-11	CERAMIC CHIP	0.0022uF 10% 50V	Q207	8-729-120-28	TRANSISTOR 2SC1623-T1L6	
C616	1-162-970-11	CERAMIC CHIP	0.01uF 10% 25V	Q208	8-729-920-31	TRANSISTOR DTC343TK-T-146	
C617	1-162-964-11	CERAMIC CHIP	0.001uF 10% 50V	Q209	8-729-120-28	TRANSISTOR 2SC1623-T1L6	
				Q301	8-729-120-28	TRANSISTOR 2SC1623-T1L6	

WM-D6C/TC-D6C

MAIN

Ref. No.	Part No.	Description	Remark	Ref. No.	Part No.	Description	Remark
Q302	8-729-120-28	TRANSISTOR	2SC1623-T1L6				
Q303	8-729-162-45	TRANSISTOR	2SB624-T1BV5				
Q304	8-729-120-28	TRANSISTOR	2SC1623-T1L6				
Q305	8-729-920-31	TRANSISTOR	DTC343TK-T-146				
Q306	8-729-920-31	TRANSISTOR	DTC343TK-T-146				
Q307	8-729-141-75	TRANSISTOR	2SD596T1-DV345				
Q308	8-729-162-45	TRANSISTOR	2SB624-T1BV5				
Q309	8-729-120-28	TRANSISTOR	2SC1623-T1L6				
Q310	8-729-420-50	TRANSISTOR	UN5215- (TX)				
Q311	8-729-420-50	TRANSISTOR	UN5215- (TX)				
Q312	8-729-420-50	TRANSISTOR	UN5215- (TX)				
Q313	8-729-420-50	TRANSISTOR	UN5215- (TX)				
Q314	8-729-420-50	TRANSISTOR	UN5215- (TX)				
Q315	8-729-420-50	TRANSISTOR	UN5215- (TX)				
Q316	8-729-420-50	TRANSISTOR	UN5215- (TX)				
Q317	8-729-420-50	TRANSISTOR	UN5215- (TX)				
Q318	8-729-420-50	TRANSISTOR	UN5215- (TX)				
Q319	8-729-420-50	TRANSISTOR	UN5215- (TX)				
Q320	8-729-120-28	TRANSISTOR	2SC1623-T1L6				
Q321	8-729-120-28	TRANSISTOR	2SC1623-T1L6				
Q322	8-729-216-22	TRANSISTOR	2SA812-T1M6				
Q601	8-729-120-28	TRANSISTOR	2SC1623-T1L6				
Q602	8-729-216-22	TRANSISTOR	2SA812-T1M6				
Q603	8-729-109-44	TRANSISTOR	2SK209Y-TE85L				
Q604	8-729-120-28	TRANSISTOR	2SC1623-T1L6				
Q605	8-729-101-07	TRANSISTOR	2SB798-T1DK				
< RESISTOR >							
R101	1-216-845-11	METAL CHIP	100K	5%	1/16W		
R102	1-216-838-11	METAL CHIP	27K	5%	1/16W		
R103	1-216-833-11	METAL CHIP	10K	5%	1/16W		
R104	1-216-029-00	METAL CHIP	150	5%	1/10W		
R105	1-216-839-11	METAL CHIP	33K	5%	1/16W		
R106	1-216-053-00	METAL CHIP	1.5K	5%	1/10W		
R107	1-216-063-00	RES-CHIP	3.9K	5%	1/10W		
R108	1-216-837-11	METAL CHIP	22K	5%	1/16W		
R109	1-216-113-00	METAL CHIP	470K	5%	1/10W		
R110	1-216-857-11	METAL CHIP	1M	5%	1/16W		
R111	1-216-067-00	METAL CHIP	5.6K	5%	1/10W		
R112	1-216-047-00	RES-CHIP	820	5%	1/10W		
R113	1-216-095-00	METAL CHIP	82K	5%	1/10W		
R114	1-216-697-11	METAL CHIP	82K	0.5%	1/10W		
R115	1-216-027-00	METAL CHIP	120	5%	1/10W		
R116	1-216-068-00	METAL CHIP	6.2K	5%	1/10W		
R117	1-216-845-11	METAL CHIP	100K	5%	1/16W		
R118	1-216-815-11	METAL CHIP	330	5%	1/16W		
R119	1-216-075-00	METAL CHIP	12K	5%	1/10W		
R120	1-216-053-00	METAL CHIP	1.5K	5%	1/10W		
R121	1-216-846-11	METAL CHIP	120K	5%	1/16W		
R122	1-216-069-00	METAL CHIP	6.8K	5%	1/10W		
R123	1-216-071-00	METAL CHIP	8.2K	5%	1/10W		
R124	1-216-075-00	METAL CHIP	12K	5%	1/10W		
R125	1-216-079-00	METAL CHIP	18K	5%	1/10W		
R126	1-216-113-00	METAL CHIP	470K	5%	1/10W		
R127	1-216-061-00	RES-CHIP	3.3K	5%	1/10W		
R128	1-216-068-00	METAL CHIP	6.2K	5%	1/10W		
R129	1-216-066-00	METAL CHIP	5.1K	5%	1/10W		
R130	1-216-092-00	RES-CHIP	62K	5%	1/10W		
R131	1-216-056-00	RES-CHIP	2K	5%	1/10W		
R132	1-216-839-11	METAL CHIP	33K	5%	1/16W		
R133	1-216-056-00	RES-CHIP	2K	5%	1/10W		
R134	1-216-689-11	METAL CHIP	39K	0.5%	1/10W		
R135	1-216-090-00	METAL CHIP	51K	5%	1/10W		
R136	1-216-109-00	METAL CHIP	330K	5%	1/10W		
R137	1-216-821-11	METAL CHIP	1K	5%	1/16W		
R138	1-216-076-00	METAL CHIP	13K	5%	1/10W		
R139	1-216-076-00	METAL CHIP	13K	5%	1/10W		
R140	1-216-839-11	METAL CHIP	33K	5%	1/16W		
R141	1-216-045-00	METAL CHIP	680	5%	1/10W		
R142	1-216-056-00	RES-CHIP	2K	5%	1/10W		
R143	1-216-053-00	METAL CHIP	1.5K	5%	1/10W		
R144	1-216-841-11	METAL CHIP	47K	5%	1/16W		
R145	1-216-842-11	METAL CHIP	56K	5%	1/16W		
R146	1-216-833-11	METAL CHIP	10K	5%	1/16W		
R147	1-216-825-11	METAL CHIP	2.2K	5%	1/16W		
R148	1-216-825-11	METAL CHIP	2.2K	5%	1/16W		
R149	1-216-835-11	METAL CHIP	15K	5%	1/16W		
R150	1-216-841-11	METAL CHIP	47K	5%	1/16W		
R151	1-216-039-00	METAL CHIP	390	5%	1/10W		
R152	1-216-005-00	METAL CHIP	15	5%	1/10W		
R152	1-216-042-00	METAL CHIP	510	5%	1/10W	(EXCEPT French)	
R154	1-218-763-11	RES-CHIP	300K	5%	1/10W		
R155	1-216-839-11	METAL CHIP	33K	5%	1/16W		(French)
R156	1-216-842-11	METAL CHIP	56K	5%	1/16W		
R157	1-216-845-11	METAL CHIP	100K	5%	1/16W		
R158	1-216-063-00	RES-CHIP	3.9K	5%	1/10W		
R159	1-216-069-00	METAL CHIP	6.8K	5%	1/10W		
R160	1-216-833-11	METAL CHIP	10K	5%	1/16W		
R161	1-202-924-11	RES-CHIP	240	5%	1/16W		
R162	1-216-812-11	METAL CHIP	180	5%	1/16W		
R163	1-216-035-00	METAL CHIP	270	5%	1/10W		
R164	1-216-837-11	METAL CHIP	22K	5%	1/16W		
R165	1-216-069-00	METAL CHIP	6.8K	5%	1/10W		
R166	1-216-072-00	METAL CHIP	9.1K	5%	1/10W		
R167	1-216-845-11	METAL CHIP	100K	5%	1/16W		
R168	1-216-095-00	METAL CHIP	82K	5%	1/10W		
R169	1-216-070-00	METAL CHIP	7.5K	5%	1/10W		
R170	1-216-857-11	METAL CHIP	1M	5%	1/16W		
R171	1-216-821-11	METAL CHIP	1K	5%	1/16W		
R172	1-216-837-11	METAL CHIP	22K	5%	1/16W		
R201	1-216-845-11	METAL CHIP	100K	5%	1/16W		
R202	1-216-838-11	METAL CHIP	27K	5%	1/16W		
R203	1-216-833-11	METAL CHIP	10K	5%	1/16W		
R204	1-216-029-00	METAL CHIP	150	5%	1/10W		
R205	1-216-839-11	METAL CHIP	33K	5%	1/16W		
R206	1-216-053-00	METAL CHIP	1.5K	5%	1/10W		
R207	1-216-063-00	RES-CHIP	3.9K	5%	1/10W		
R208	1-216-837-11	METAL CHIP	22K	5%	1/16W		
R209	1-216-113-00	METAL CHIP	470K	5%	1/10W		
R210	1-216-857-11	METAL CHIP	1M	5%	1/16W		
R211	1-216-067-00	METAL CHIP	5.6K	5%	1/10W		
R212	1-216-047-00	RES-CHIP	820	5%	1/10W		
R213	1-216-095-00	METAL CHIP	82K	5%	1/10W		

Ref. No.	Part No.	Description			Remark	Ref. No.	Part No.	Description			Remark
R214	1-216-697-11	METAL CHIP	82K	0.5%	1/10W	R270	1-216-857-11	METAL CHIP	1M	5%	1/16W
R215	1-216-027-00	METAL CHIP	120	5%	1/10W	R271	1-216-821-11	METAL CHIP	1K	5%	1/16W
R216	1-216-068-00	METAL CHIP	6.2K	5%	1/10W	R272	1-216-837-11	METAL CHIP	22K	5%	1/16W
R217	1-216-845-11	METAL CHIP	100K	5%	1/16W	R301	1-216-075-00	METAL CHIP	12K	5%	1/10W
R218	1-216-815-11	METAL CHIP	330	5%	1/16W						
R219	1-216-075-00	METAL CHIP	12K	5%	1/10W	R302	1-216-833-11	METAL CHIP	10K	5%	1/16W
R220	1-216-053-00	METAL CHIP	1.5K	5%	1/10W	R303	1-216-075-00	METAL CHIP	12K	5%	1/10W
R221	1-216-846-11	METAL CHIP	120K	5%	1/16W	R305	1-216-838-11	METAL CHIP	27K	5%	1/16W
R222	1-216-069-00	METAL CHIP	6.8K	5%	1/10W	R306	1-216-837-11	METAL CHIP	22K	5%	1/16W
R223	1-216-071-00	METAL CHIP	8.2K	5%	1/10W	R307	1-216-845-11	METAL CHIP	100K	5%	1/16W
R224	1-216-075-00	METAL CHIP	12K	5%	1/10W	R308	1-216-829-11	METAL CHIP	4.7K	5%	1/16W
R225	1-216-079-00	METAL CHIP	18K	5%	1/10W	R309	1-216-845-11	METAL CHIP	100K	5%	1/16W
R226	1-216-113-00	METAL CHIP	470K	5%	1/10W	R310	1-216-837-11	METAL CHIP	22K	5%	1/16W
R227	1-216-061-00	RES-CHIP	3.3K	5%	1/10W	R311	1-216-838-11	METAL CHIP	27K	5%	1/16W
R228	1-216-068-00	METAL CHIP	6.2K	5%	1/10W	R312	1-202-924-11	RES-CHIP	240	5%	1/16W
R229	1-216-066-00	METAL CHIP	5.1K	5%	1/10W	R313	1-216-804-11	METAL CHIP	39	5%	1/16W
R230	1-216-092-00	RES-CHIP	62K	5%	1/10W	R316	1-216-803-11	METAL CHIP	33	5%	1/16W
R231	1-216-056-00	RES-CHIP	2K	5%	1/10W	R317	1-216-841-11	METAL CHIP	47K	5%	1/16W
R232	1-216-839-11	METAL CHIP	33K	5%	1/16W	R318	1-216-839-11	METAL CHIP	33K	5%	1/16W
R233	1-216-056-00	RES-CHIP	2K	5%	1/10W	R319	1-216-839-11	METAL CHIP	33K	5%	1/16W
R234	1-216-689-11	METAL CHIP	39K	0.5%	1/10W	R320	1-216-846-11	METAL CHIP	120K	5%	1/16W
R235	1-216-090-00	METAL CHIP	51K	5%	1/10W	R321	1-216-821-11	METAL CHIP	1K	5%	1/16W
R236	1-216-109-00	METAL CHIP	330K	5%	1/10W	R322	1-216-833-11	METAL CHIP	10K	5%	1/16W
R237	1-216-821-11	METAL CHIP	1K	5%	1/16W	R323	1-216-841-11	METAL CHIP	47K	5%	1/16W
R238	1-216-076-00	METAL CHIP	13K	5%	1/10W	R324	1-216-845-11	METAL CHIP	100K	5%	1/16W
R239	1-216-076-00	METAL CHIP	13K	5%	1/10W	R325	1-216-105-00	RES-CHIP	220K	5%	1/10W
R240	1-216-839-11	METAL CHIP	33K	5%	1/16W	R326	1-216-837-11	METAL CHIP	22K	5%	1/16W
R241	1-216-045-00	METAL CHIP	680	5%	1/10W	R327	1-216-841-11	METAL CHIP	47K	5%	1/16W
R242	1-216-056-00	RES-CHIP	2K	5%	1/10W	R601	1-216-841-11	METAL CHIP	47K	5%	1/16W
R243	1-216-053-00	METAL CHIP	1.5K	5%	1/10W	R602	1-216-839-11	METAL CHIP	33K	5%	1/16W
R244	1-216-841-11	METAL CHIP	47K	5%	1/16W	R603	1-216-821-11	METAL CHIP	1K	5%	1/16W
R245	1-216-842-11	METAL CHIP	56K	5%	1/16W	R604	1-216-847-11	METAL CHIP	150K	5%	1/16W
R246	1-216-833-11	METAL CHIP	10K	5%	1/16W	R605	1-216-833-11	METAL CHIP	10K	5%	1/16W
R247	1-216-825-11	METAL CHIP	2.2K	5%	1/16W	R606	1-216-812-11	METAL CHIP	180	5%	1/16W
R248	1-216-825-11	METAL CHIP	2.2K	5%	1/16W	R607	1-216-835-11	METAL CHIP	15K	5%	1/16W
R249	1-216-835-11	METAL CHIP	15K	5%	1/16W	R608	1-216-845-11	METAL CHIP	100K	5%	1/16W
R250	1-216-841-11	METAL CHIP	47K	5%	1/16W	R609	1-216-841-11	METAL CHIP	47K	5%	1/16W
R251	1-216-039-00	METAL CHIP	390	5%	1/10W	R610	1-216-822-11	METAL CHIP	1.2K	5%	1/16W
R252	1-216-005-00	METAL CHIP	15	5%	1/10W	R611	1-216-817-11	METAL CHIP	470	5%	1/16W
					(EXCEPT French)	R612	1-216-845-11	METAL CHIP	100K	5%	1/16W
R252	1-216-042-00	METAL CHIP	510	5%	1/10W (French)	R613	1-216-857-11	METAL CHIP	1M	5%	1/16W
R254	1-218-763-11	RES-CHIP	300K	5%	1/10W	R614	1-218-296-11	RES-CHIP	75K	5%	1/16W
R255	1-216-839-11	METAL CHIP	33K	5%	1/16W	R615	1-216-845-11	METAL CHIP	100K	5%	1/16W
R256	1-216-842-11	METAL CHIP	56K	5%	1/16W	R616	1-216-845-11	METAL CHIP	100K	5%	1/16W
R257	1-216-845-11	METAL CHIP	100K	5%	1/16W	R617	1-216-815-11	METAL CHIP	330	5%	1/16W
R258	1-216-063-00	RES-CHIP	3.9K	5%	1/10W	R618	1-216-809-11	METAL CHIP	100	5%	1/16W
R259	1-216-069-00	METAL CHIP	6.8K	5%	1/10W	R619	1-218-484-11	RES-CHIP	750	5%	1/16W
R260	1-216-833-11	METAL CHIP	10K	5%	1/16W	R620	1-216-847-11	METAL CHIP	150K	5%	1/16W
R261	1-202-924-11	RES-CHIP	240	5%	1/16W	R621	1-216-847-11	METAL CHIP	150K	5%	1/16W
R262	1-216-812-11	METAL CHIP	180	5%	1/16W			< VARIABLE RESISTOR >			
R263	1-216-035-00	METAL CHIP	270	5%	1/10W	RV101	1-225-870-21	RES, ADJ, CERMET	10K		
R264	1-216-837-11	METAL CHIP	22K	5%	1/16W	RV102	1-225-870-21	RES, ADJ, CERMET	10K		
R265	1-216-069-00	METAL CHIP	6.8K	5%	1/10W	RV201	1-225-870-21	RES, ADJ, CERMET	10K		
R266	1-216-072-00	METAL CHIP	9.1K	5%	1/10W	RV202	1-225-870-21	RES, ADJ, CERMET	10K		
R267	1-216-845-11	METAL CHIP	100K	5%	1/16W	RV301	1-230-275-11	RES, VAR, CARBON	50K/50K (REC LEVEL)		
R268	1-216-095-00	METAL CHIP	82K	5%	1/10W	RV302	1-228-545-00	RES, VAR, SLIDE	50K/50K (HEADPHONE VOLUME)		
R269	1-216-070-00	METAL CHIP	7.5K	5%	1/10W	RV601	1-241-596-11	RES, ADJ, CERMET	47K		

WM-D6C/TC-D6C

MAIN

<u>Ref. No.</u>	<u>Part No.</u>	<u>Description</u>	<u>Remark</u>
RV602	1-228-607-00	RES, VAR, CARBON 20K (SPEED TUNE)	
RV603	1-241-596-11	RES, ADJ, CERMET 47K	
		< SWITCH >	
S301	1-554-029-11	SWITCH, SLIDE (PLAY/REC)	
S302	1-554-222-00	SWITCH, SLIDE (MIC ATT)	
S601	1-570-856-11	SWITCH, SLIDE (SPEED TUNE)	
		< TRANSFORMER >	
T301	1-433-244-00	TRANSFORMER, BIAS OSCILLATOR	

MEMO

